

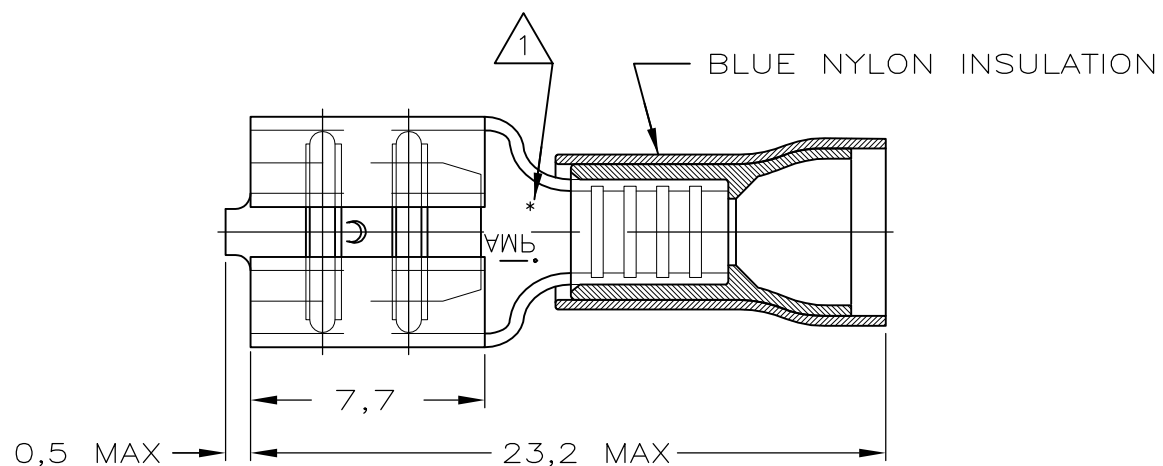
THIS DRAWING IS UNPUBLISHED.

RELEASED FOR PUBLICATION

© COPYRIGHT - By -

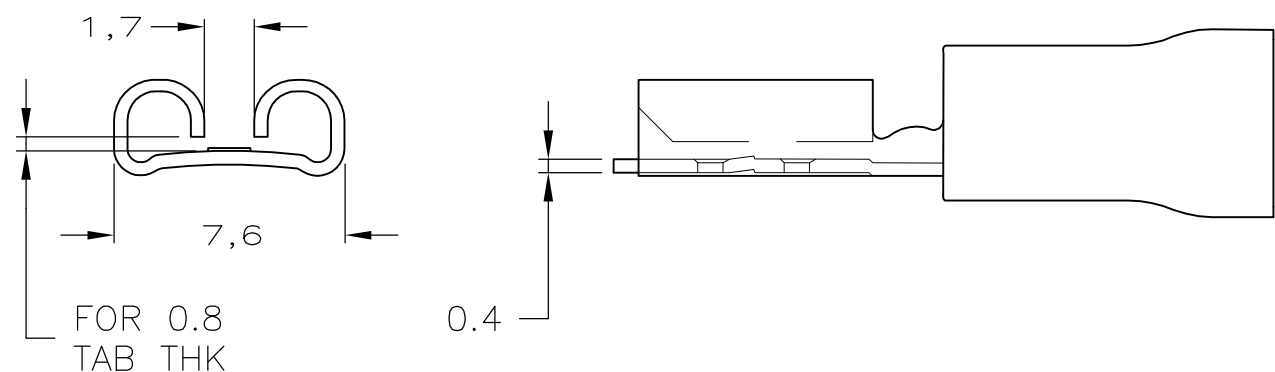
ALL RIGHTS RESERVED.

LOC	DIST	REVISIONS					
G	86	P	LTR	DESCRIPTION	DATE	DWN	APVD
			H3	REVISED PER ECO-11-004820	11MAR11	RK	HMR



NOTES

- 1 ASTERISK * FOR PH.BRONZE VERSIONS ONLY.
- 2 WIRE RANGE: 1,0-2,6mm². INSUL. RANGE: 4,3mm MAX. DIA..
- 3 OBSOLETE WITHOUT REPLACEMENT



TAPE MOUNTED	1	GOLDPLATED	PH.BRONZE	5-160313-7 3
	1	SILVERPLATED	PH.BRONZE	5-160313-6 3
	1	TINPLATED	PH.BRONZE	5-160313-5
LOOSE PIECE		GOLDPLATED	BRASS	5-160313-4 3
		SILVERPLATED	BRASS	5-160313-3 3
		TINPLATED	BRASS	5-160313-2
		TIN-LEAD	PH.BRONZE	9-160313-8 3
PACKAGE TYPE	1	GOLDPLATED	PH.BRONZE	9-160313-7 3
	1	SILVERPLATED	PH.BRONZE	9-160313-6
	1	TINPLATED	PH.BRONZE	9-160313-5
		GOLDPLATED	BRASS	9-160313-4 3
	SILVERPLATED	BRASS	9-160313-3 3	
	TINPLATED	BRASS	9-160313-2	
PACKAGE TYPE		FINISH	MATERIAL	PARTNUMBER

THIS DRAWING IS A CONTROLLED DOCUMENT.		DWN	JR RUTH	08OCT04	STE TE Connectivity												
DIMENSIONS: mm		CHK	T MICHELUTTI	08OCT04													
TOLERANCES UNLESS OTHERWISE SPECIFIED:		APVD	T MICHELUTTI	08OCT04													
<table border="0"> <tr><td>0 PLC</td><td>± -</td></tr> <tr><td>1 PLC</td><td>± -</td></tr> <tr><td>2 PLC</td><td>± 0.38</td></tr> <tr><td>3 PLC</td><td>± -</td></tr> <tr><td>4 PLC</td><td>± -</td></tr> <tr><td>ANGLES</td><td>± -</td></tr> </table>		0 PLC	± -	1 PLC		± -	2 PLC	± 0.38	3 PLC	± -	4 PLC	± -	ANGLES	± -	PRODUCT SPEC	NAME	
0 PLC	± -																
1 PLC	± -																
2 PLC	± 0.38																
3 PLC	± -																
4 PLC	± -																
ANGLES	± -																
MATERIAL	FINISH	APPLICATION SPEC	SIZE		CAGE CODE	DRAWING NO	RESTRICTED TO										
-	-	WEIGHT	A3		00779	C-160313	-										
CUSTOMER DRAWING			SCALE	-	SHEET	1 OF 1	REV H3										

X-ON Electronics

Largest Supplier of Electrical and Electronic Components

Click to view similar products for [Terminals](#) category:

Click to view products by [TE Connectivity](#) manufacturer:

Other Similar products are found below :

[00-054007-01074-6](#) [00-054007-70206-1](#) [00-054007-70210-8](#) [00-054007-70217-7](#) [00-054007-70226-9](#) [00-054007-70228-3](#) [00-054007-70248-1](#) [00-054007-70256-6](#) [00-054007-70301-3](#) [00-054007-70316-7](#) [00-054007-49560-4](#) [00-054007-70209-2](#) [00-054007-70225-2](#) [00-054007-70227-6](#) [00-054007-70231-3](#) [00-054007-70241-2](#) [00-054007-70242-9](#) [00-054007-70244-3](#) [00-054007-70246-7](#) [00-054007-70263-4](#) [00-054007-70288-7](#) [00-054007-70290-0](#) [00-054007-70300-6](#) [00-054007-70304-4](#) [01-2065-1-0216](#) [01-2900-1-04412](#) [00581P0075](#) [600TS-10](#) [60205-1](#) [604200-1](#) [605601-1](#) [60598-1-CUT-TAPE](#) [61314-6-C](#) [61810-3](#) [61-S](#) [61-SN](#) [626-0194](#) [62-NBM-A](#) [62-SN](#) [62-SP](#) [63-S](#) [640179-1](#) [M55155/059I03](#) [M55155/079C01](#) [M55155/099H02](#) [M55155/109H01](#) [M55155/109H02](#) [M55155/12XH05](#) [M55155/16XH02](#) [M55155/29-5S](#)