

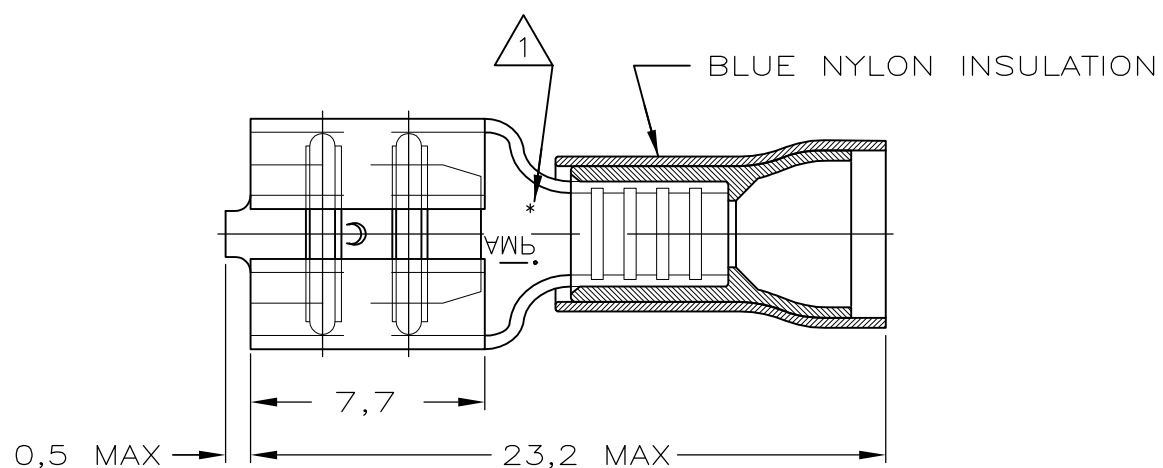
THIS DRAWING IS UNPUBLISHED.

RELEASED FOR PUBLICATION

© COPYRIGHT - By -

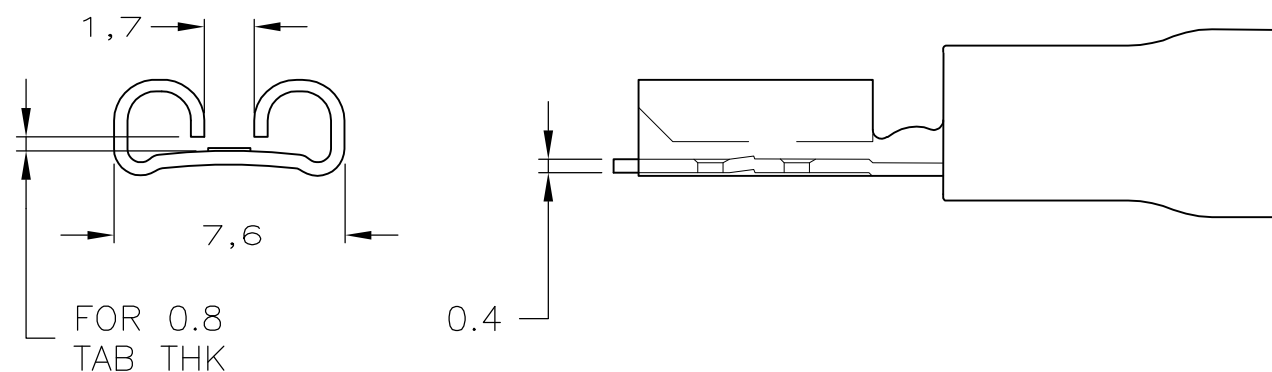
ALL RIGHTS RESERVED.

LOC G	DIST 86	REVISIONS			
P	LTR	DESCRIPTION	DATE	DWN	APVD
	H3	REVISED PER ECO-11-004820	11MAR11	RK	HMR



NOTES

- 1 ASTERISK \* FOR PH.BRONZE VERSIONS ONLY.
- 2 WIRE RANGE: 1,0-2,6mm<sup>2</sup>. INSUL. RANGE: 4,3mm MAX. DIA..
- 3 OBSOLETE WITHOUT REPLACEMENT



TAPE MOUNTED	1	GOLDPLATED	PH.BRONZE	<del>5-160313-7</del> 3
	1	SILVERPLATED	PH.BRONZE	<del>5-160313-6</del> 3
	1	TINPLATED	PH.BRONZE	5-160313-5
		GOLDPLATED	BRASS	<del>5-160313-4</del> 3
		SILVERPLATED	BRASS	<del>5-160313-3</del> 3
		TINPLATED	BRASS	5-160313-2
LOOSE PIECE	1	TIN-LEAD	PH.BRONZE	<del>9-160313-8</del> 3
	1	GOLDPLATED	PH.BRONZE	<del>9-160313-7</del> 3
	1	SILVERPLATED	PH.BRONZE	9-160313-6
	1	TINPLATED	PH.BRONZE	9-160313-5
		GOLDPLATED	BRASS	<del>9-160313-4</del> 3
		SILVERPLATED	BRASS	<del>9-160313-3</del> 3
	TINPLATED	BRASS	9-160313-2	
PACKAGE TYPE		FINISH	MATERIAL	PARTNUMBER

THIS DRAWING IS A CONTROLLED DOCUMENT.		DWN JR RUTH 08OCT04	<b>TE Connectivity</b>		
DIMENSIONS: mm		CHK T MICHELUTTI 08OCT04			
TOLERANCES UNLESS OTHERWISE SPECIFIED:		APVD T MICHELUTTI 08OCT04	PRODUCT SPEC -		RESTRICTED TO -
0 PLC ± -		APPLICATION SPEC -		SIZE A3	CAGE CODE 00779
1 PLC ± -		WEIGHT -		DRAWING NO C-160313	
2 PLC ± 0.38		CUSTOMER DRAWING		SCALE -	SHEET 1 OF 1
3 PLC ± -				REV H3	
4 PLC ± -					
ANGLES ± -					
MATERIAL -					
FINISH -					

## X-ON Electronics

Largest Supplier of Electrical and Electronic Components

*Click to view similar products for [Terminals](#) category:*

*Click to view products by [TE Connectivity](#) manufacturer:*

Other Similar products are found below :

[00-054007-01074-6](#) [00-054007-70206-1](#) [00-054007-70210-8](#) [00-054007-70217-7](#) [00-054007-70226-9](#) [00-054007-70228-3](#) [00-054007-70248-1](#) [00-054007-70256-6](#) [00-054007-70301-3](#) [00-054007-70316-7](#) [00-054007-49560-4](#) [00-054007-70209-2](#) [00-054007-70225-2](#) [00-054007-70227-6](#) [00-054007-70231-3](#) [00-054007-70241-2](#) [00-054007-70242-9](#) [00-054007-70244-3](#) [00-054007-70246-7](#) [00-054007-70263-4](#) [00-054007-70288-7](#) [00-054007-70290-0](#) [00-054007-70300-6](#) [00-054007-70304-4](#) [01-2065-1-0216](#) [01-2900-1-04412](#) [00581P0075](#) [600TS-10](#) [60205-1](#) [604200-1](#) [605601-1](#) [60598-1-CUT-TAPE](#) [61314-6-C](#) [61810-3](#) [61-S](#) [61-SN](#) [626-0194](#) [62-NBM-A](#) [62-SN](#) [62-SP](#) [63-S](#) [640179-1](#) [M55155/059I03](#) [M55155/079C01](#) [M55155/099H02](#) [M55155/109H01](#) [M55155/109H02](#) [M55155/12XH05](#) [M55155/16XH02](#) [M55155/29-5S](#)