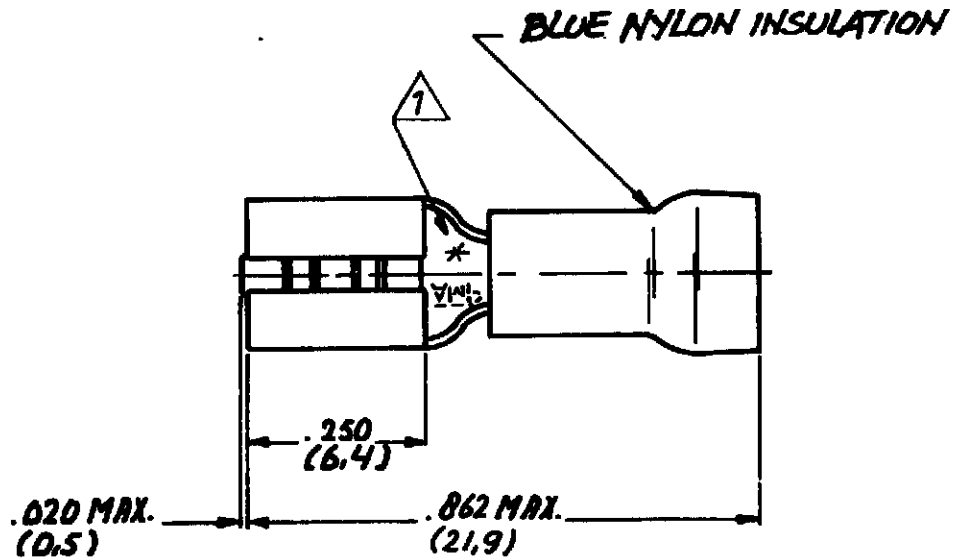


NUMBER 2-160477

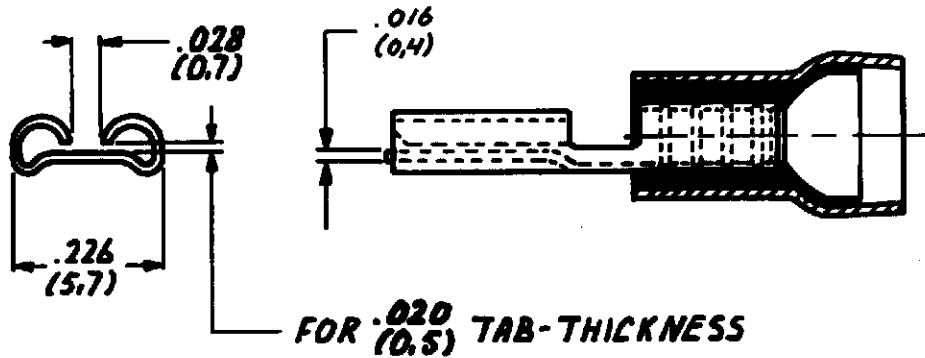
DRAWING MADE IN AMERICAN PROJECTION

REVISIONS

P	LTR	DESCRIPTION	DATE	DWN	APVD
G1		REVISED PER ECO-17-002887	01SEP2017	RS	DR



DOC. CENTRE  
23 JAN. 1992



- 1 ASTERISK \* FOR PH.BRONZE VERSION ONLY.
- 2 PRELIMINARY.

DIMENSIONS IN MM. DO NOT SCALE PRINT

5-160477-7	9-160477-7 TAPE MOUNTED	
5-160477-6	9-160477-6 TAPE MOUNTED	
5-160477-4	9-160477-4 TAPE MOUNTED	
5-160477-3	9-160477-3 TAPE MOUNTED	
9-160477-7	PH. BRONZE	GOLD
9-160477-6	PH. BRONZE	SILVER
9-160477-5	PH. BRONZE	TIN
9-160477-4	BRASS	GOLD <span style="border: 1px solid black; padding: 1px;">2</span>
9-160477-3	BRASS	SILVER <span style="border: 1px solid black; padding: 1px;">2</span>
9-160477-2	BRASS	TIN

**CUSTOMER COPY FOR REFERENCE ONLY**

©1980 BY AMP-HOLLAND N.V. ALL RIGHTS RESERVED A-MP PRODUCTS COVERED BY PATENTS AND/OR PATENTS PENDING.



TE Connectivity

WIRE RANGE 16-24 AWG 4.0-2.6mm	INSUL. RANGE .130 MAX. DIA 3.30 mm MAX. DIA	FIRST L <sup>1</sup>
SCALE N.T.S.	SIZE A	NO. C-160477

REV  
G1

ORDER NO.	MATERIAL	PLATING
DR RUH 5/80	DATE	DE DATE
CHK	DATE	APP DATE

NAME  
**.187 SER. P.I D.G. FASTON RECEPTACLE**

## X-ON Electronics

Largest Supplier of Electrical and Electronic Components

*Click to view similar products for [Terminals](#) category:*

*Click to view products by [TE Connectivity](#) manufacturer:*

Other Similar products are found below :

[00-054007-01074-6](#) [00-054007-70206-1](#) [00-054007-70210-8](#) [00-054007-70217-7](#) [00-054007-70226-9](#) [00-054007-70228-3](#) [00-054007-70248-1](#) [00-054007-70256-6](#) [00-054007-70301-3](#) [00-054007-70316-7](#) [00-054007-49560-4](#) [00-054007-70209-2](#) [00-054007-70225-2](#) [00-054007-70227-6](#) [00-054007-70231-3](#) [00-054007-70241-2](#) [00-054007-70242-9](#) [00-054007-70244-3](#) [00-054007-70246-7](#) [00-054007-70263-4](#) [00-054007-70288-7](#) [00-054007-70290-0](#) [00-054007-70300-6](#) [00-054007-70304-4](#) [01-2065-1-0216](#) [01-2900-1-04412](#) [00581P0075](#) [600TS-10](#) [60205-1](#) [604200-1](#) [605601-1](#) [60598-1-CUT-TAPE](#) [61314-6-C](#) [61810-3](#) [61-S](#) [61-SN](#) [626-0194](#) [62-NBM-A](#) [62-SN](#) [62-SP](#) [63-S](#) [640179-1](#) [M55155/059I03](#) [M55155/079C01](#) [M55155/099H02](#) [M55155/109H01](#) [M55155/109H02](#) [M55155/12XH05](#) [M55155/16XH02](#) [M55155/29-5S](#)