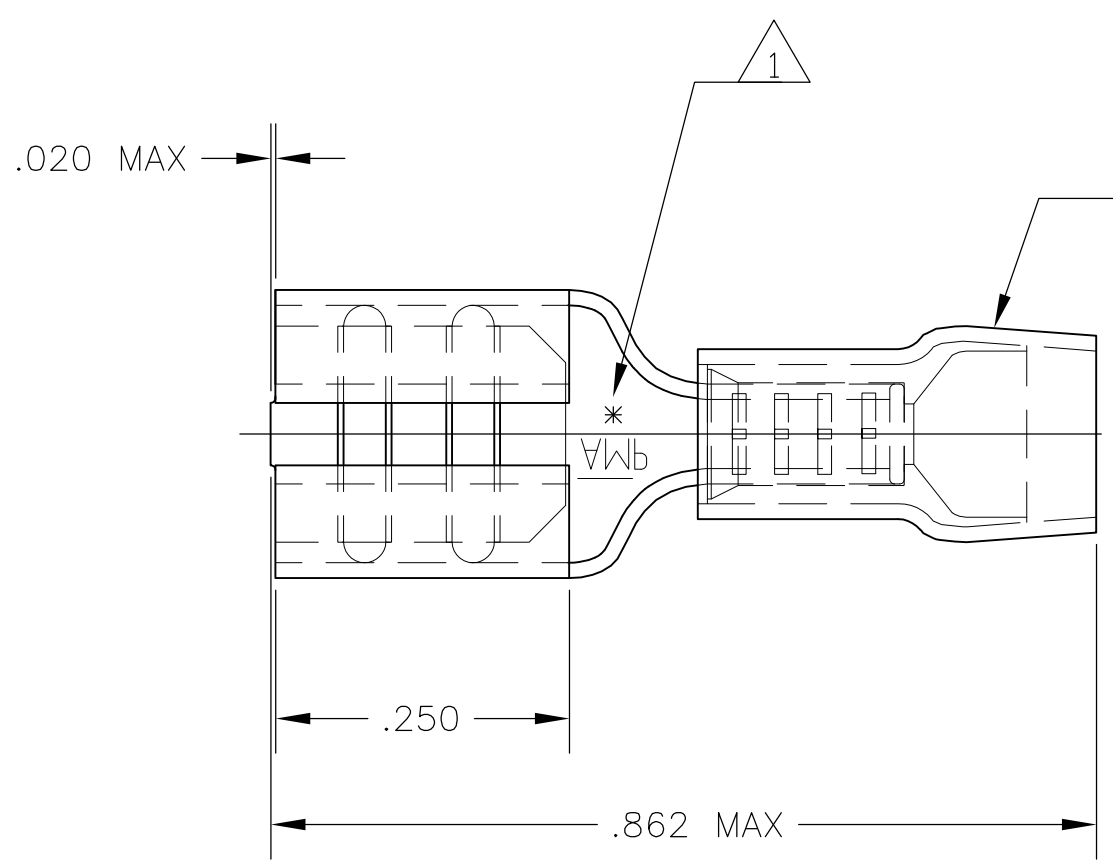
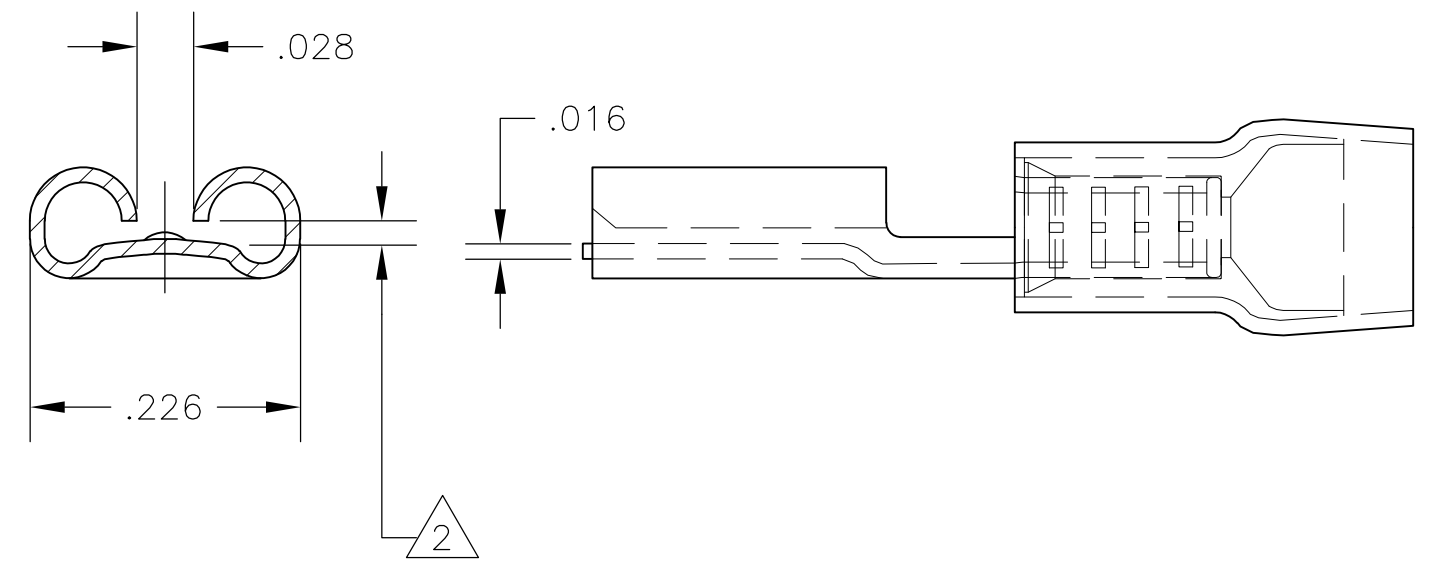


THIS DRAWING IS UNPUBLISHED. RELEASED FOR PUBLICATION
 © COPYRIGHT - By - ALL RIGHTS RESERVED.

| LOC | DIST | REVISIONS | | | |
|-----|------|-------------|---------------------------|---------|--------|
| P | LTR | DESCRIPTION | DATE | DWN | APVD |
| G | 02 | H2 | REVISED PER ECO-11-005027 | 11MAR11 | RK HMR |



1 ASTERISK * FOR PHOS BRONZE ITEMS ONLY.
 2 MATES WITH A .031 THK TAB



| | | |
|--------------------|-------------|------------|
| 9-160479-5 ON TAPE | 5-160479-5 | |
| 9-160479-2 ON TAPE | 5-160479-2 | |
| TIN | PHOS BRONZE | 9-160479-5 |
| TIN | BRASS | 9-160479-2 |
| FINISH | MATERIAL | ORDER NO. |

| | | | | | |
|---|--|---------------------------------|---|------------------|---------------|
| THIS DRAWING IS A CONTROLLED DOCUMENT. | | DWN jr_ruth 21MAY04 | TE Connectivity FASTON RECEPTACLE, PIDG .187 SERIES WIRE SIZE: 16-14 AWG | | |
| DIMENSIONS: INCHES | | CHK T MICHELUTTI 21MAY04 | | | |
| TOLERANCES UNLESS OTHERWISE SPECIFIED: 0 PLC ± - 1 PLC ± - 2 PLC ± - 3 PLC ± .005 4 PLC ± - ANGLES ± 5° | | APVD T MICHELUTTI 21MAY04 | PRODUCT SPEC | | RESTRICTED TO |
| MATERIAL | | APPLICATION SPEC | | SIZE | CAGE CODE |
| FINISH | | WEIGHT | | DRAWING NO | |
| - | | - | | A300779 C-160479 | |
| CUSTOMER DRAWING | | | SCALE | SHEET | REV |
| | | | 1:1 | 1 OF 1 | H2 |

X-ON Electronics

Largest Supplier of Electrical and Electronic Components

Click to view similar products for [Terminals](#) category:

Click to view products by [TE Connectivity](#) manufacturer:

Other Similar products are found below :

[00-054007-01074-6](#) [00-054007-70206-1](#) [00-054007-70210-8](#) [00-054007-70217-7](#) [00-054007-70226-9](#) [00-054007-70228-3](#) [00-054007-70248-1](#) [00-054007-70256-6](#) [00-054007-70301-3](#) [00-054007-70316-7](#) [00-054007-49560-4](#) [00-054007-70209-2](#) [00-054007-70225-2](#) [00-054007-70227-6](#) [00-054007-70231-3](#) [00-054007-70241-2](#) [00-054007-70242-9](#) [00-054007-70244-3](#) [00-054007-70246-7](#) [00-054007-70263-4](#) [00-054007-70288-7](#) [00-054007-70290-0](#) [00-054007-70300-6](#) [00-054007-70304-4](#) [01-2065-1-0216](#) [01-2900-1-04412](#) [00581P0075](#) [600TS-10](#) [60205-1](#) [604200-1](#) [605601-1](#) [60598-1-CUT-TAPE](#) [61314-6-C](#) [61810-3](#) [61-S](#) [61-SN](#) [626-0194](#) [62-NBM-A](#) [62-SN](#) [62-SP](#) [63-S](#) [640179-1](#) [M55155/059I03](#) [M55155/079C01](#) [M55155/099H02](#) [M55155/109H01](#) [M55155/109H02](#) [M55155/12XH05](#) [M55155/16XH02](#) [M55155/29-5S](#)