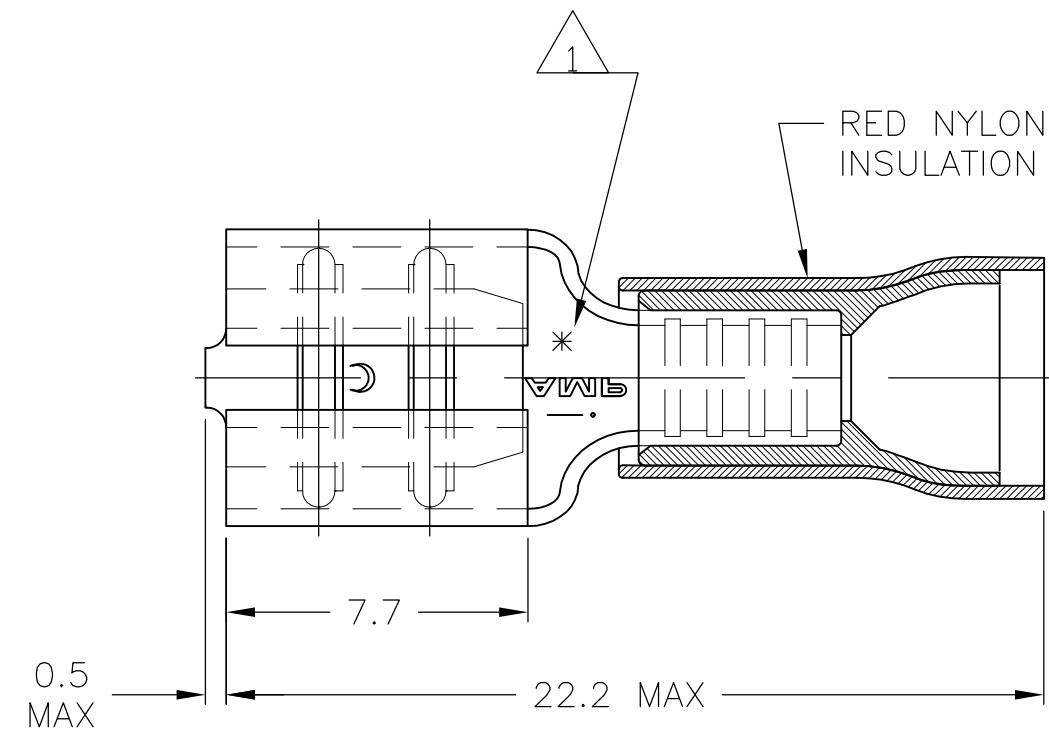
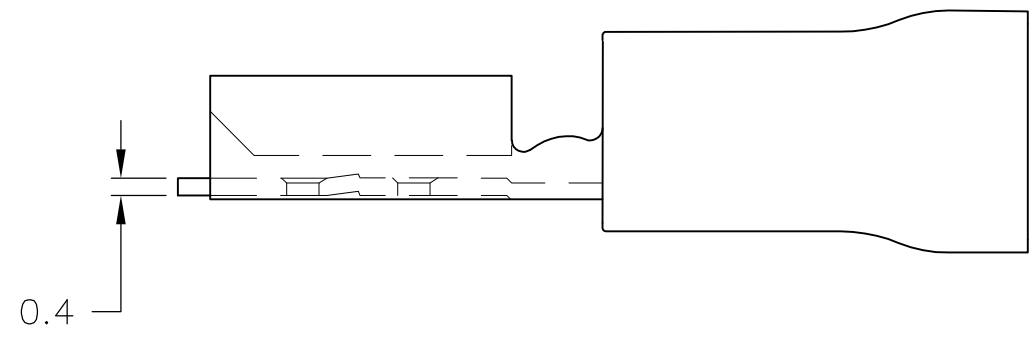
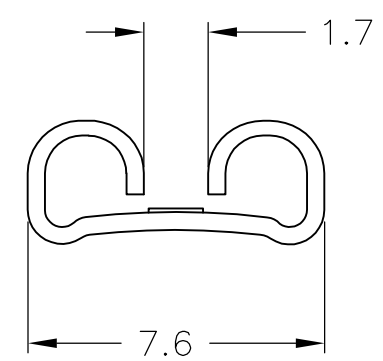


THIS DRAWING IS UNPUBLISHED. RELEASED FOR PUBLICATION
 © COPYRIGHT - By - ALL RIGHTS RESERVED.

| LOC | DIST | REVISIONS | | | | | |
|-----|------|-----------|-----|---------------------------|---------|-----|------|
| | | P | LTR | DESCRIPTION | DATE | DWN | APVD |
| G | 86 | | L5 | REVISED PER ECO-11-004587 | 11MAR11 | RK | HMR |



- △ 1 ASTERISK * FOR PHOS BRONZE VERSION ONLY.
- 2 WIRE RANGE: 0,3-1,5mm²
- 3 INSULATION RANGE: 3,5mm MAX DIA.
- 4 MATING TAB THK IS 0,8
- △ 5 SUPERSEDED BY 9-160583-5
- △ 6 SUPERSEDED BY 9-160583-6
- △ 7 SUPERSEDED BY 5-160583-2
- △ 8 SUPERSEDED BY 5-160583-5



| PACKAGE TYPE | FINISH | MATERIAL | PART NO. |
|--------------|---------------|------------------|----------------|
| TAPE MOUNTED | GOLD PLATED | △ 1 PHOS. BRONZE | 5-160583-7 △ 8 |
| | SILVER PLATED | △ 1 PHOS. BRONZE | 5-160583-6 △ 8 |
| | TIN PLATED | △ 1 PHOS. BRONZE | 5-160583-5 |
| | GOLD PLATED | BRASS | 5-160583-4 △ 7 |
| | SILVER PLATED | BRASS | 5-160583-3 △ 7 |
| | TIN PLATED | BRASS | 5-160583-2 |
| LOOSE PIECE | TIN-LEAD | △ 1 PHOS. BRONZE | 9-160583-8 △ 5 |
| | GOLD PLATED | △ 1 PHOS. BRONZE | 9-160583-7 △ 6 |
| | SILVER PLATED | △ 1 PHOS. BRONZE | 9-160583-6 |
| | TIN PLATED | △ 1 PHOS. BRONZE | 9-160583-5 |
| | GOLD PLATED | BRASS | 9-160583-4 △ 6 |
| | SILVER PLATED | BRASS | 9-160583-3 △ 6 |
| | TIN PLATED | BRASS | 9-160583-2 |

| | | | | |
|--|--|---------------------------------|--|------------|
| THIS DRAWING IS A CONTROLLED DOCUMENT. | | DWN JR RUTH 25AUG2004 | STE TE Connectivity | |
| DIMENSIONS: mm | | CHK T MICHELUTTI 25AUG04 | | |
| TOLERANCES UNLESS OTHERWISE SPECIFIED: | | APVD T MICHELUTTI 25AUG04 | NAME RECEPTACLE, FASTON, P.I.D.G., .250 SERIES | |
| 0 PLC ± - | | PRODUCT SPEC | SIZE | |
| 1 PLC ± - | | APPLICATION SPEC | CAGE CODE | DRAWING NO |
| 2 PLC ± 0.38 | | WEIGHT | RESTRICTED TO | |
| 3 PLC ± - | | CUSTOMER DRAWING | A3 00779 C-160583 | |
| 4 PLC ± - | | SCALE | SHEET | REV |
| ANGLES ± - | | 4:1 | 1 OF 1 | L5 |
| FINISH | | | | |

X-ON Electronics

Largest Supplier of Electrical and Electronic Components

Click to view similar products for [Terminals](#) category:

Click to view products by [TE Connectivity](#) manufacturer:

Other Similar products are found below :

[00-054007-01074-6](#) [00-054007-70206-1](#) [00-054007-70210-8](#) [00-054007-70217-7](#) [00-054007-70226-9](#) [00-054007-70228-3](#) [00-054007-70248-1](#) [00-054007-70256-6](#) [00-054007-70301-3](#) [00-054007-70316-7](#) [0-0320562-0](#) [00-054007-49560-4](#) [00-054007-70209-2](#) [00-054007-70225-2](#) [00-054007-70227-6](#) [00-054007-70231-3](#) [00-054007-70241-2](#) [00-054007-70242-9](#) [00-054007-70244-3](#) [00-054007-70246-7](#) [00-054007-70263-4](#) [00-054007-70288-7](#) [00-054007-70290-0](#) [00-054007-70300-6](#) [00-054007-70304-4](#) [01-2065-1-0216](#) [01-2900-1-04412](#) [00581P0075](#) [600TS-10](#) [60205-1](#) [604200-1](#) [605601-1](#) [60598-1-CUT-TAPE](#) [61314-6-C](#) [61810-3](#) [61-S](#) [61-SN](#) [626-0194](#) [62-NBM-A](#) [62-SN](#) [62-SP](#) [63-S](#) [640179-1](#) [M55155/059I03](#) [M55155/079C01](#) [M55155/099H02](#) [M55155/109H01](#) [M55155/109H02](#) [M55155/12XH05](#) [M55155/16XH02](#)