

4

3

2

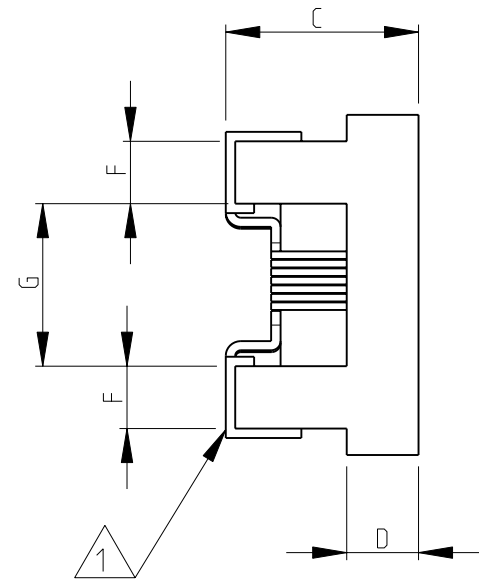
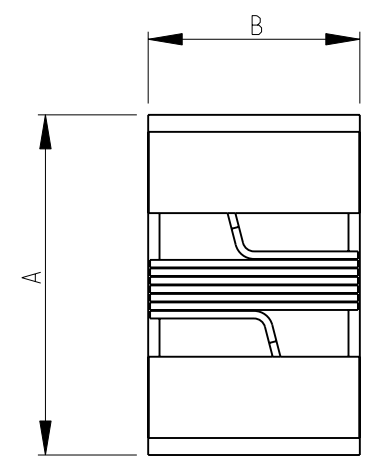
1

THIS DRAWING IS UNPUBLISHED. RELEASED FOR PUBLICATION 2008
 © COPYRIGHT 2008 BY - ALL RIGHTS RESERVED.

LOC	DIST	REVISIONS				
P	LTR	DESCRIPTION	DATE	DWN	APVD	
E	B	BA1	REVISED PER ECO-11-005150	29MAR2011	RK HMR	

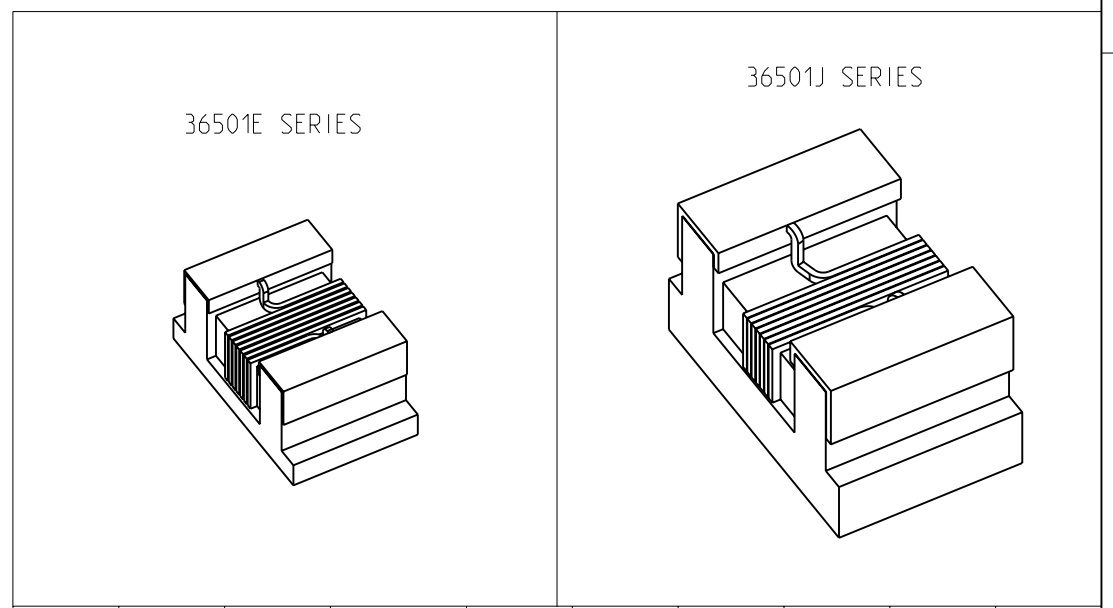
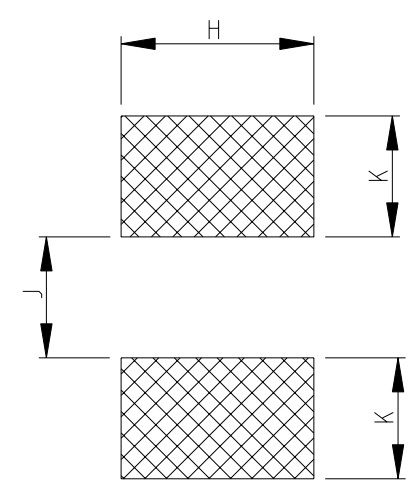
SERIES 36501J, 36501E AS SHOWN

- 1 TERMINAL WRAPAROUND: 0.007"(0.18mm) APPROX. ON BOTH ENDS
- 2 AVAILABLE IN 2 DIFFERENT SERIES
- 3 FOR FURTHER INFORMATION SEE DATA SHEET FOR 3650 SERIES-LOW INDUCTANCE,HIGH FREQUENCY CHIP INDUCTOR




RoHS Compliant

RECOMMENDED LAND PATTERN FOR 36501J, 36501E SERIES



	A MAX.	B MAX.	C MAX.	D REF.	F	G	H	K	J
36501E	1.27	0.76	0.61	0.15	0.23	0.56	0.66	0.50	0.46
36501J	1.80	1.12	1.02	0.38	0.33	0.86	1.02	0.64	0.64

THIS DRAWING IS A CONTROLLED DOCUMENT.		DWN	SUBHASH.M 14-NOV-08		 TE Connectivity LOW INDUCTANCE, HIGH FREQUENCY CHIP INDUCTOR SERIES 3650					
DIMENSIONS: mm		CHK	PRAKASH.S 14-NOV-08							
TOLERANCES UNLESS OTHERWISE SPECIFIED:		APVD	STEPHEN.P 14-NOV-08							
0 PLC ± 0.2 1 PLC ± 0.1 2 PLC ± - 3 PLC ± - 4 PLC ± - ANGLES ± 5°		PRODUCT SPEC	-							
MATERIAL -		FINISH -	APPLICATION SPEC	-						
		WEIGHT -	SIZE	A3	CAGE CODE	00779	DRAWING NO	G= 1624112		
			CUSTOMER DRAWING		SCALE	20:1	SHEET	1 OF 1	REV	BA1

X-ON Electronics

Largest Supplier of Electrical and Electronic Components

Click to view similar products for [Fixed Inductors](#) category:

Click to view products by [TE Connectivity](#) manufacturer:

Other Similar products are found below :

[CR43NP-680KC](#) [CR54NP-820KC](#) [CR54NP-8R5MC](#) [CTX32CT-100](#) [70F224AI](#) [MGDQ4-00004-P](#) [MHL1ECTTP18NJ](#) [MHL1JCTTD12NJ](#)
[PE-51506NL](#) [PE-53601NL](#) [PE-53602NL](#) [PE-53630NL](#) [PE-53824SNLT](#) [PE-62892NL](#) [PE-92100NL](#) [PG0434.801NLT](#) [PG0936.113NLT](#)
[9310-16](#) [PM06-2N7](#) [PM06-39NJ](#) [A01TK](#) [1206CS-471XJ](#) [HC2-2R2TR](#) [HC2LP-R47-R](#) [HC3-2R2-R](#) [1206CS-151XG](#) [RCH664NP-140L](#)
[RCH664NP-4R7M](#) [RCH8011NP-221L](#) [RCP1317NP-332L](#) [RCP1317NP-391L](#) [RCR1010NP-470M](#) [RCR110DNP-331L](#) [DH2280-4R7M](#)
[DS1608C-106](#) [ASPI-4020HI-R10M-T](#) [B10TJ](#) [B82477P4333M](#) [B82498B3101J000](#) [B82498B3680J000](#) [ELJ-RE27NJF2](#) [1812CS-153XJ](#)
[1812CS-183XJ](#) [1812CS-223XJ](#) [1812LS-104XJ](#) [1812LS-105XJ](#) [1812LS-124XJ](#) [1812LS-154XJ](#) [1812LS-223XJ](#) [1812LS-224XJ](#)