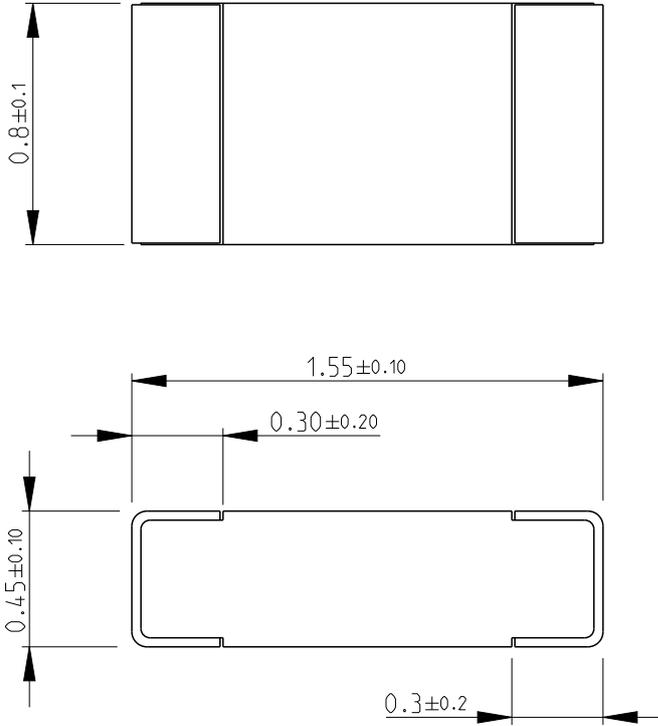
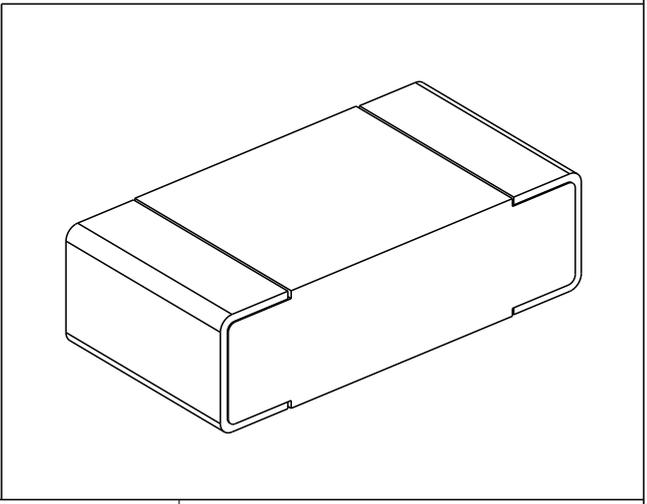


|     |      |           |     |               |           |     |      |
|-----|------|-----------|-----|---------------|-----------|-----|------|
| LOC | DIST | REVISIONS |     |               |           |     |      |
| E   | B    | P         | LTR | DESCRIPTION   | DATE      | DWN | APVD |
|     |      |           | BA2 | ECR-14-009193 | 19JUN2014 | KR  | TN   |
|     |      |           |     |               |           |     |      |

FOR FURTHER INFORMATION SEE DATA SHEET FOR  
CPF SERIES-THIN FILM PRECISION CHIP RESISTORS



RoHS Compliant



2008  
RELEASED FOR PUBLICATION  
ALL RIGHTS RESERVED.  
BY -  
© COPYRIGHT 2008

|                                        |               |                  |              |                                                                                                      |       |             |            |
|----------------------------------------|---------------|------------------|--------------|------------------------------------------------------------------------------------------------------|-------|-------------|------------|
| DIMENSIONS:<br>mm                      | DWN           | SUBHASH.M        | 24-Sep-08    | MATERIAL                                                                                             | -     | FINISH      | -          |
|                                        | CHK           | PRAKASH.S        | 24-Sep-08    |  TE Connectivity |       |             |            |
| TOLERANCES UNLESS OTHERWISE SPECIFIED: | APVD          | STEPHEN.P        | 24-Sep-08    |                                                                                                      |       |             |            |
|                                        | 0 PLC         | $\pm 0.5$        | PRODUCT SPEC | -                                                                                                    | SIZE  | CAGE CODE   | DRAWING NO |
| 1 PLC                                  | $\pm 0.2$     | APPLICATION SPEC | -            | A 4                                                                                                  | 00779 | © = 1676481 | -          |
| 2 PLC                                  | $\pm 0.1$     | WEIGHT           | -            | Customer Drawing                                                                                     |       |             |            |
| 3 PLC                                  | $\pm -$       |                  |              | SCALE                                                                                                | 40:1  | SHEET       | 1 OF 1     |
| 4 PLC                                  | $\pm -$       |                  |              | REV BA2                                                                                              |       |             |            |
| ANGLES                                 | $\pm 5^\circ$ |                  |              |                                                                                                      |       |             |            |

## X-ON Electronics

Largest Supplier of Electrical and Electronic Components

*Click to view similar products for [Thin Film Resistors - SMD category](#):*

*Click to view products by [TE Connectivity manufacturer](#):*

Other Similar products are found below :

[M55342K06B34E0RT3](#) [D55342E07B379BR-TR](#) [AR02BTC1872](#) [AR02BTC18R7](#) [AR02BTC3830](#) [AR02BTC4220](#) [AR02BTC4422](#)  
[AR02BTC5100](#) [AR02BTC5111](#) [AR02BTC5762](#) [AR02BTC8251](#) [AR02BTC8452](#) [AR03BTC0110](#) [AR03BTC0120](#) [AR03BTC0330](#)  
[AR03BTC0390](#) [AR03BTC1102](#) [AR03BTC1103](#) [AR03BTC1201](#) [AR03BTC2000](#) [AR03BTC2201](#) [AR03BTC2203](#) [AR03BTC2490](#)  
[AR03BTC3003](#) [AR03BTC3302](#) [AR03BTC3901](#) [AR03BTC4220](#) [AR03BTC4223N](#) [AR03BTC5602](#) [AR03BTC5603](#) [AR03BTC5900](#)  
[AR03BTC7500](#) [AR03BTC9100](#) [AR03BTC9103](#) [AR03BTC9760](#) [AR05BTC0280](#) [AR05BTC1000](#) [AR05BTC1100](#) [AR05BTC1201](#)  
[AR05BTC1202](#) [AR05BTC1300](#) [AR05BTC14R3](#) [AR05BTC1500](#) [AR05BTC1523](#) [AR05BTC1620](#) [AR05BTC1622](#) [AR05BTC1623](#)  
[AR05BTC1760](#) [AR05BTC1800](#) [AR05BTC1823](#)