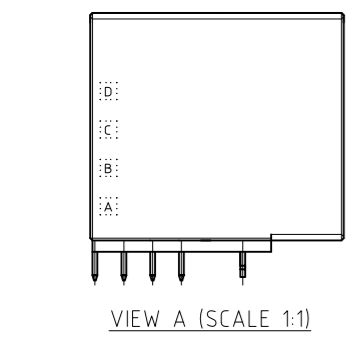
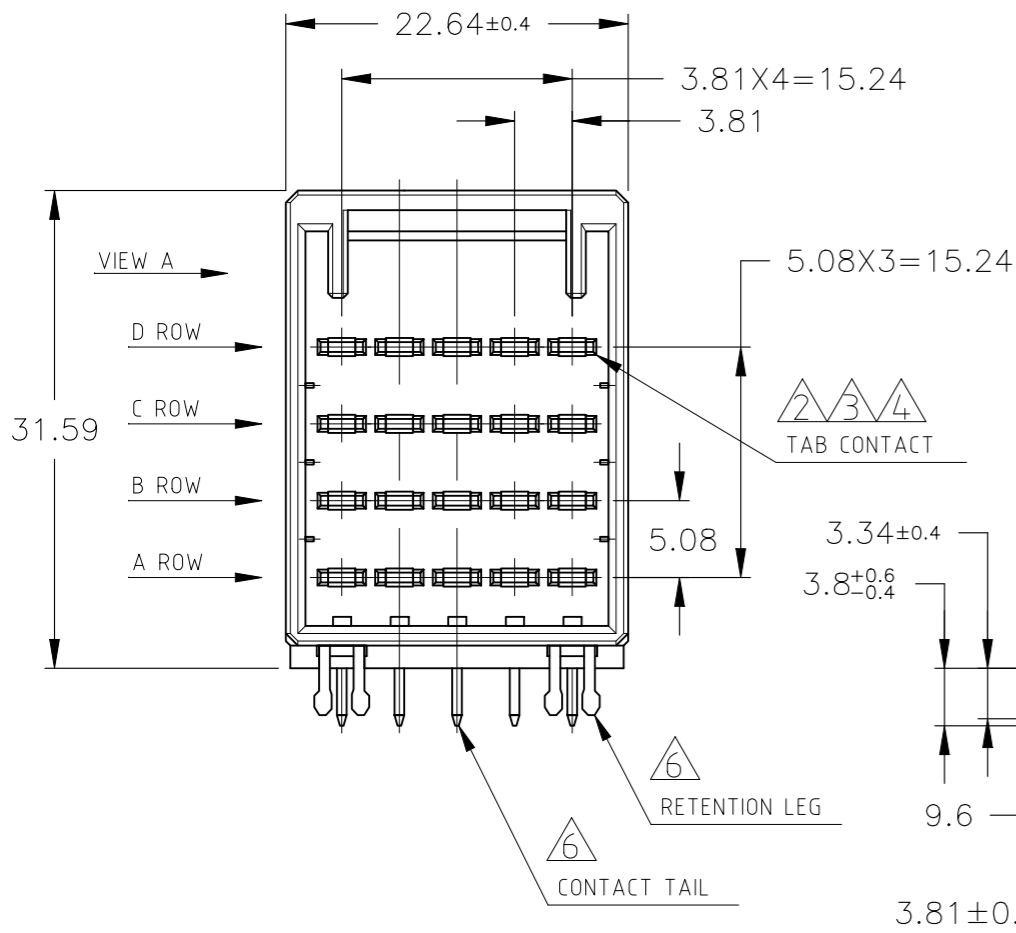
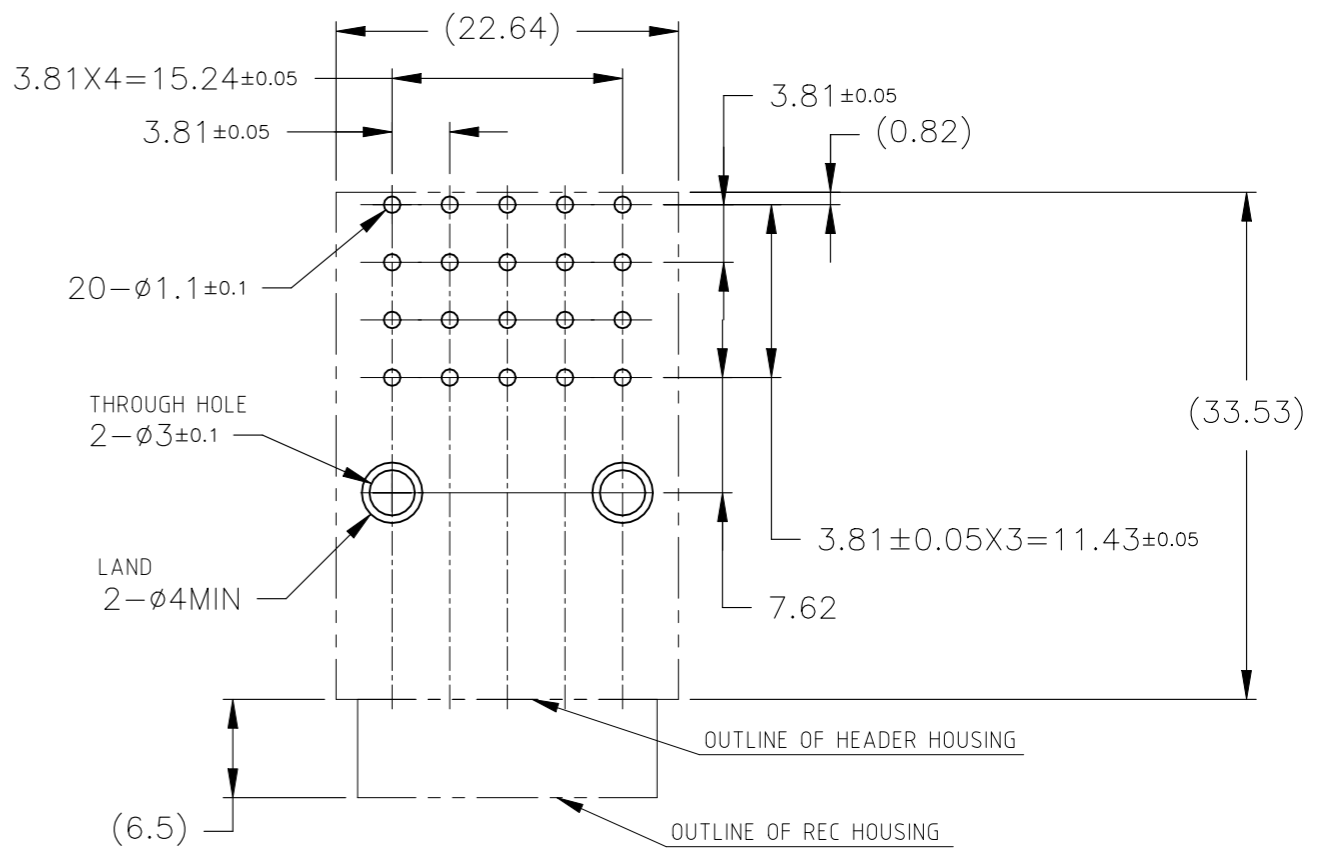
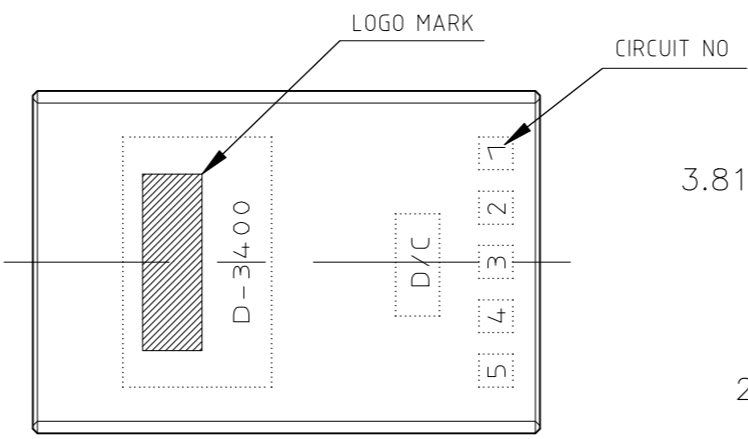


REVISIONS					
P	LTR	DESCRIPTION	DATE	DWN	APVD
	D	REVISED	02JUN2022	H.O	T.S



△6	△2	9-917251-2	TRAY
△6	△4	917251-5	TUBE
△6	△3	917251-3	TUBE
△6	△2	917251-2	TUBE
FINISH	PART NO	PACKING TYPE	

- NOTES:
- △ MATERIAL  
HOUSING: GLASS FIELD POLYESTER  
CONTACT: COPPER ALLOY  
RETENTION LEG: COPPER ARROY
  - △ FINISH (CONTACT AREA): 0.38umMIN GOLD PLATING OVER NICKEL
  - △ FINISH (CONTACT AREA): 0.76umMIN GOLD PLATING OVER NICKEL
  - △ FINISH (CONTACT ALL AREA): 2.0umMIN TIN PLATING OVER NICKEL
  - △ FINISH (RETENTION LEG AND CONTACT TAIL): TIN-LEAD PLATING
  - △ FINISH (RETENTION LEG AND CONTACT TAIL): TIN PLATING OVER NICKEL

THIS DRAWING IS A CONTROLLED DOCUMENT.		DWN H.OSABE 02JUN2022	TE Connectivity		
DIMENSIONS: mm		CHK T.SHIMOYASU 02JUN2022			
TOLERANCES UNLESS OTHERWISE SPECIFIED:		APVD T.SHIMOYASU 02JUN2022	NAME		
0-PLC ± - 1-PLC ± LESS 10 ; ±0.3 2-PLC ± -10< ; ±0.4 3-PLC ± -30< ; ±0.45 4-PLC ± - ANGLES ± 3°		PRODUCT SPEC 108-5349	DYNAMIC D-3400 20P(H) HDR ASSY		
MATERIAL SEE NOTE		APPLICATION SPEC -	SIZE A3	CAGE CODE 00779	DRAWING NO C-917251
FINISH SEE NOTE		WEIGHT 18.45g	RESTRICTED TO -		
CUSTOMER DRAWING			SCALE 2:1	SHEET 1 OF 1	REV D

## X-ON Electronics

Largest Supplier of Electrical and Electronic Components

*Click to view similar products for [Headers & Wire Housings](#) category:*

*Click to view products by [TE Connectivity](#) manufacturer:*

Other Similar products are found below :

[0015917161](#) [0022155065](#) [57102-F02-18ULF](#) [58102-G61-06LF](#) [582553-1](#) [01.001.5753.1](#) [0050291907](#) [02.125.8002.8](#) [609-3404](#) [61062-3](#)  
[CSU011177004](#) [622-0430](#) [622-3653LF](#) [63453-116](#) [636-1030](#) [636-1427](#) [636-3427](#) [636-4007](#) [641938-9](#) [65495-038](#) [65692-001LF](#) [65781-018](#)  
[65781-047](#) [65817-010LF](#) [65817-015LF](#) [67095-007LF](#) [67601157](#) [68631-112](#) [68645-018](#) [699319-000](#) [70.362.1628.0](#) [70-4210](#) [70-4226B](#) [70-](#)  
[4853B](#) [71.350.2428.0](#) [733-134](#) [733-162](#) [760-3052](#) [MHR-64-VUAL](#) [80.063.4001.1](#) [800-90-001-10-001000](#) [801-43-002-10-013000](#)  
[801-43-006-10-002000](#) [803-43-024-10-001000](#) [803-93-012-10-001000](#) [8-1437020-4](#) [819-22-004-30-001101](#) [820-22-006-30-001101](#)  
[820-22-008-30-001101](#) [821-22-002-10-001101](#)