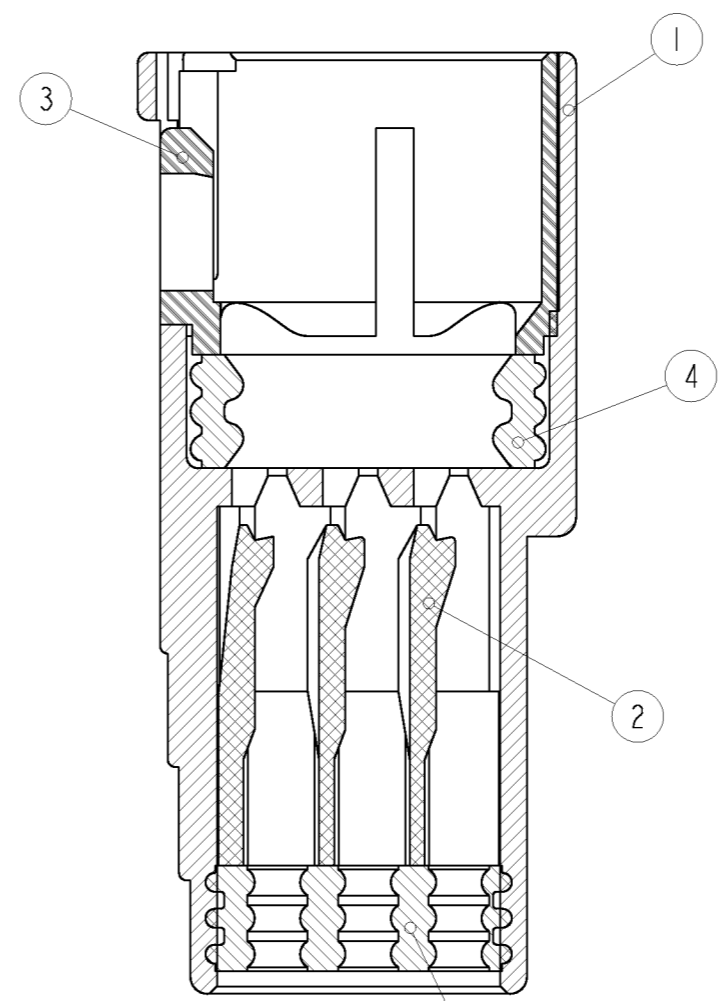
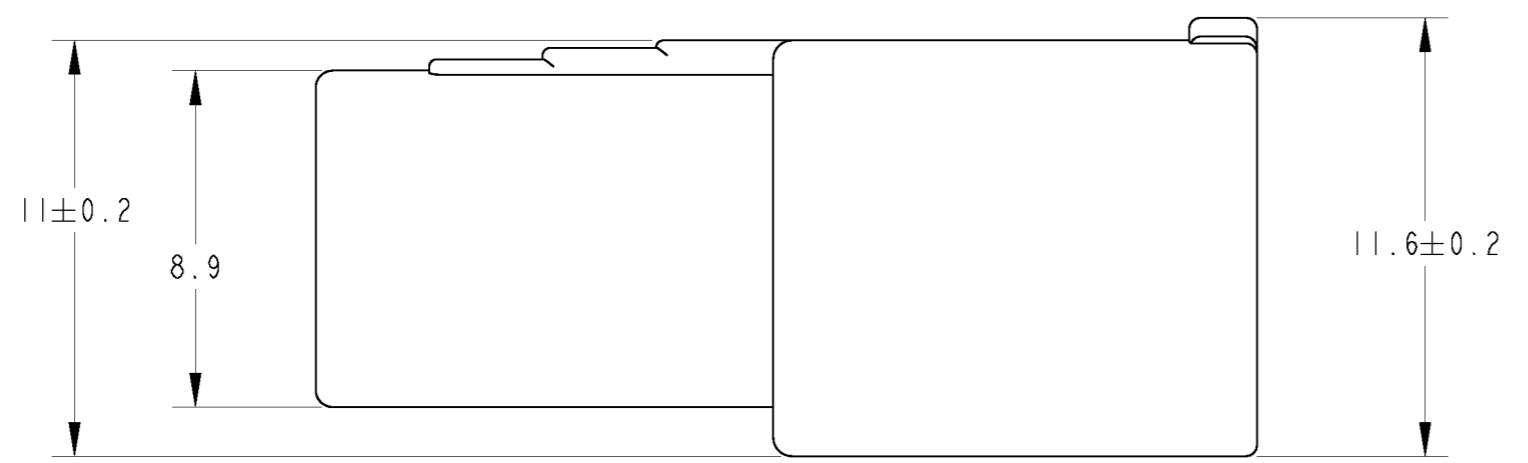
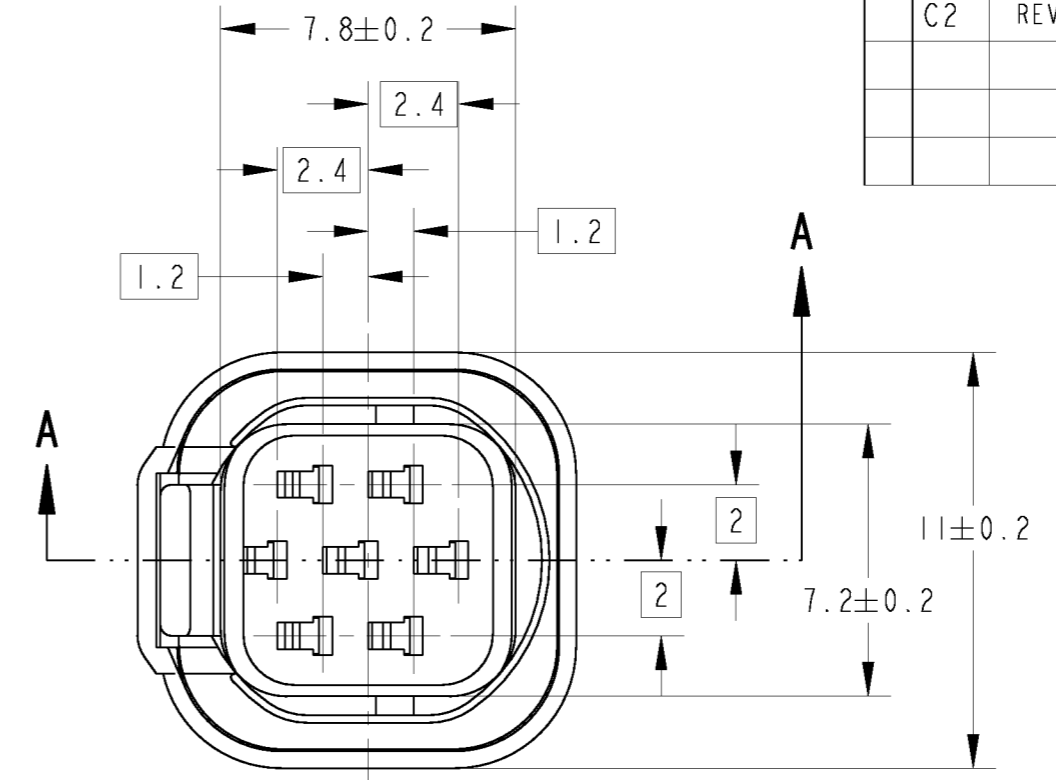
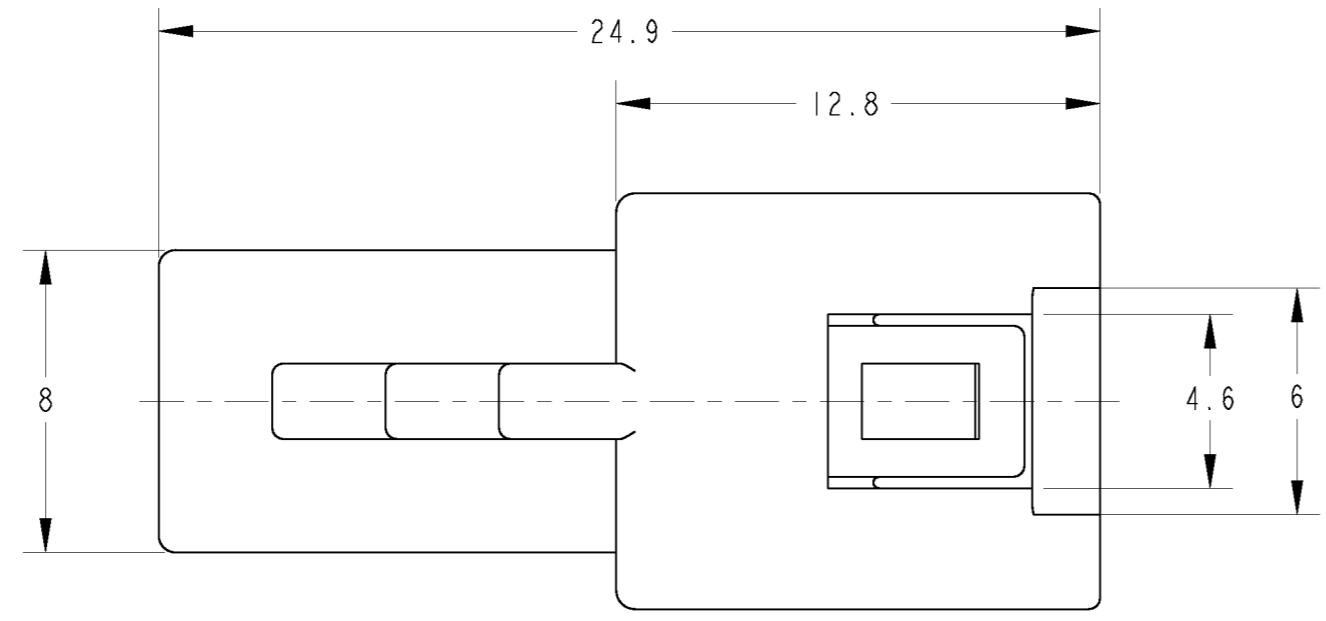
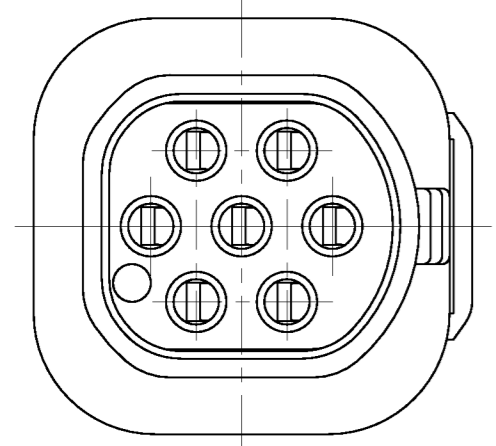


THIS DRAWING IS UNPUBLISHED. RELEASED FOR PUBLICATION 20
 (C) COPYRIGHT 20 ALL RIGHTS RESERVED.

LOC	DIST	REVISIONS					
J	-	P	LTR	DESCRIPTION	DATE	DWN	APVD
		C2		REVISED PER ECO-11-005140	02APR2011	RK	HMR



A-A

- 1. THE MATING PLUG HSG P/N 917318
- 2. APPLIED CONTACT P/N 917309
- 3. APPLICABLE PRODUCT SPEC. No. 108-5426
- 4. INSTRUCTION SHEET: 412-5653

- 1. 嵌手相手ハウジング型番: 917318
- 2. 内装するタブコンタクト型番: 917309
- 3. 適用製品規格番号: 108-5426-1
- 4. 取扱説明書: 412-5653-1

1	-	-	-	-	7POSITION CAP HOUSING (YELLOW)	1
-	1	-	-	-	7POSITION CAP HOUSING (GRAY)	1
-	-	1	-	-	7POSITION CAP HOUSING (BLACK)	1
-	-	-	1	-	7POSITION CAP HOUSING (NATURAL)	1
1	1	1	1	1	SEAL RUBBER (LIGHT GRAY)	5
1	1	1	1	1	SEAL RING (LIGHT GRAY)	4
1	1	1	1	1	SEAL RING HOLDER (GREEN)	3
1	1	1	1	1	7POSITION HOUSING LANCE (GREEN)	2
-	-	-	-	1	7POSITION CAP HOUSING (GREEN)	1
917319-8	917319-7	917319-6	917319-5	917319-4	NAME & COLOR	ITEM NO.

TOLERANCE UNLESS OTHERWISE SPECIFIED:	
10≥	±0.2
30≥	>10 ±0.25
100≥	>30 ±0.3
ANGLE	±0.3°

THIS DRAWING IS A CONTROLLED DOCUMENT.

DIMENSIONS: 単位: 英 (mm)

TOLERANCES UNLESS OTHERWISE SPECIFIED:

一般公差	±
0 PLC	±0.1
1 PLC	±0.01
2 PLC	±0.001
3 PLC	±0.0001
4 PLC	±0.0001
ANGLES	±1°00'
FINISH	仕上

MATERIAL: PBT G

SEE TABLE

DWN: I. SHINOHARA 19JAN06
 CHK: K. BETSUI 19JAN06
 APVD: K. BETSUI 19JAN06

PRODUCT SPEC: 108-5426
 APPLICATION SPEC: 取付用規格

WEIGHT: -

CUSTOMER DRAWING

SCALE: 5:1

SHEET 1 OF 1

REV: C2

RESTRICTED TO: -

X-ON Electronics

Largest Supplier of Electrical and Electronic Components

Click to view similar products for [Automotive Connectors](#) category:

Click to view products by [TE Connectivity](#) manufacturer:

Other Similar products are found below :

[003-018-000](#) [600858](#) [60403001](#) [60993906-B](#) [60993913-B](#) [629515004020001](#) [M83723/71R1808N L/C](#) [M902-2131](#) [M902-2161](#) [M902-2344](#)
[72.330.1035.1](#) [73.353.4028.0](#) [F118010](#) [F119300-B](#) [F132210](#) [F166900](#) [F180100](#) [F258300](#) [F258300-B](#) [F294300-B](#) [F339100](#) [F339700](#)
[F358300-B](#) [F374110](#) [F407400](#) [F412210](#) [F444110](#) [F487000](#) [F495100](#) [F500900-B](#) [F509500B-B](#) [770444-1](#) [827153-1](#) [881735-1](#)
[8N1515-32-24P](#) [9-1326729-8](#) [925467-1](#) [925474-1](#) [928905-1](#) [936398-2](#) [964562-4](#) [964731-2](#) [968782-1](#) [GT17SA-8DS-HU](#) [GT17VS-10DP-](#)
[5.2CF](#) [98315-0001](#) [98315-0010](#) [98891-1012](#) [98895-2014](#) [98936-1039](#)