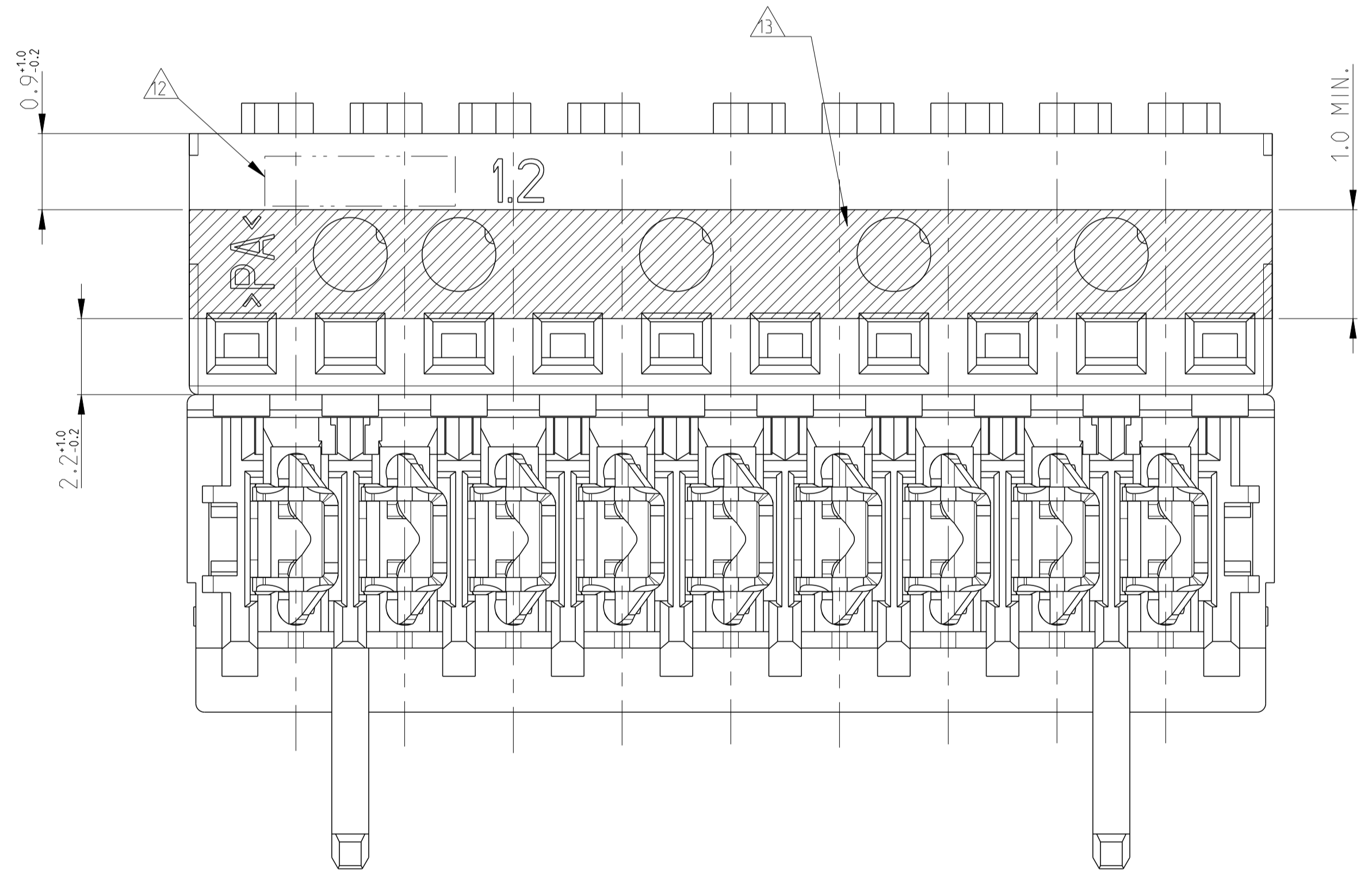
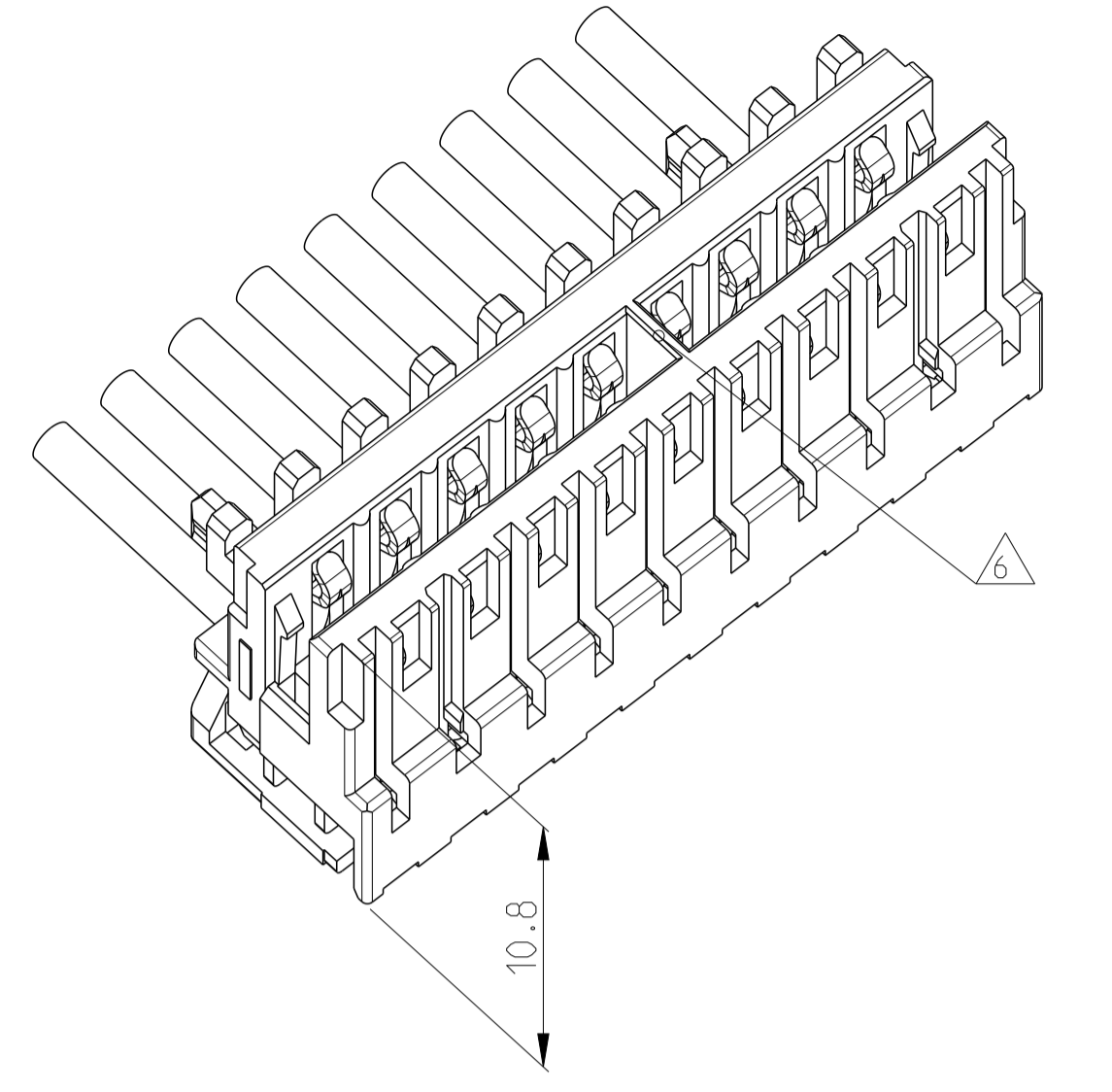
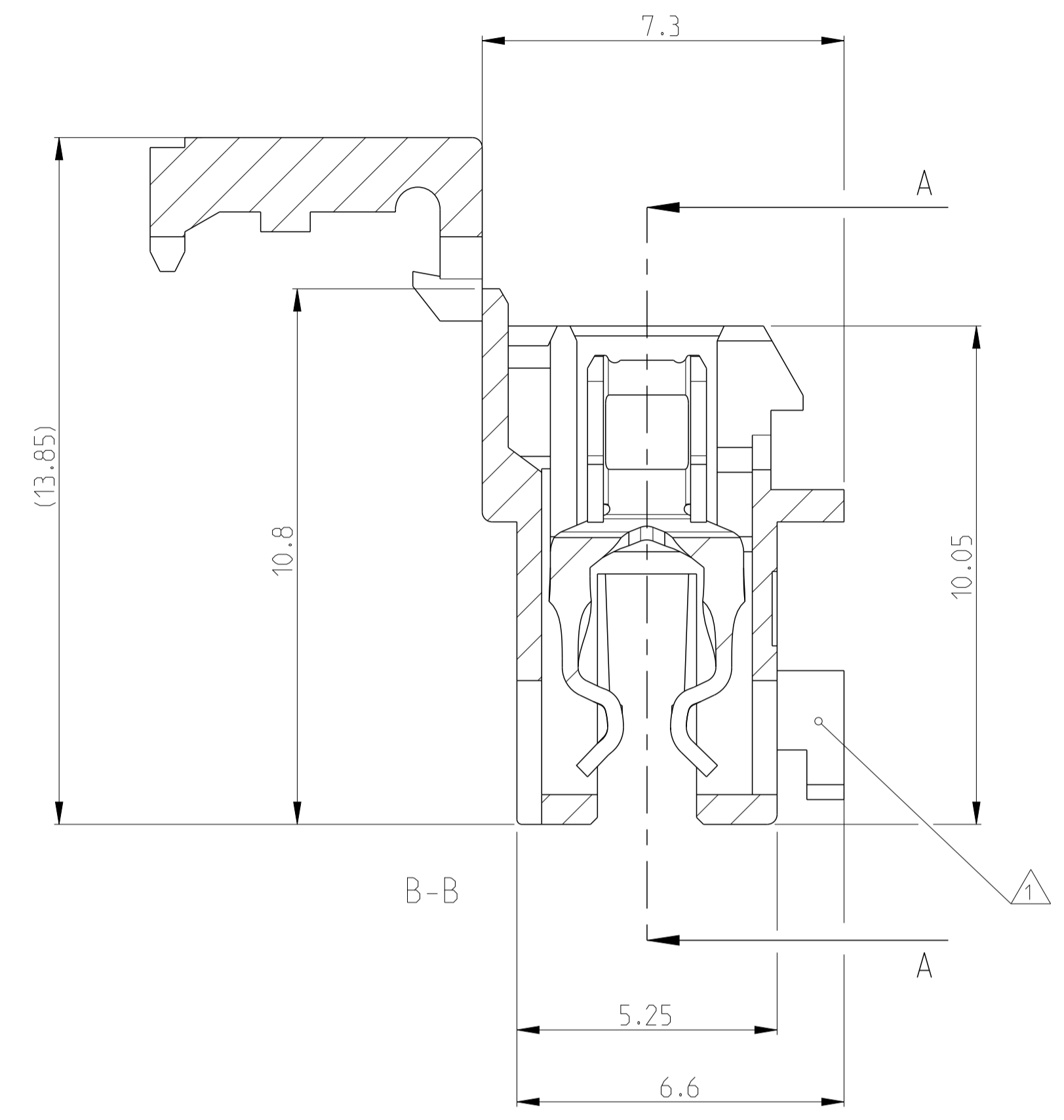
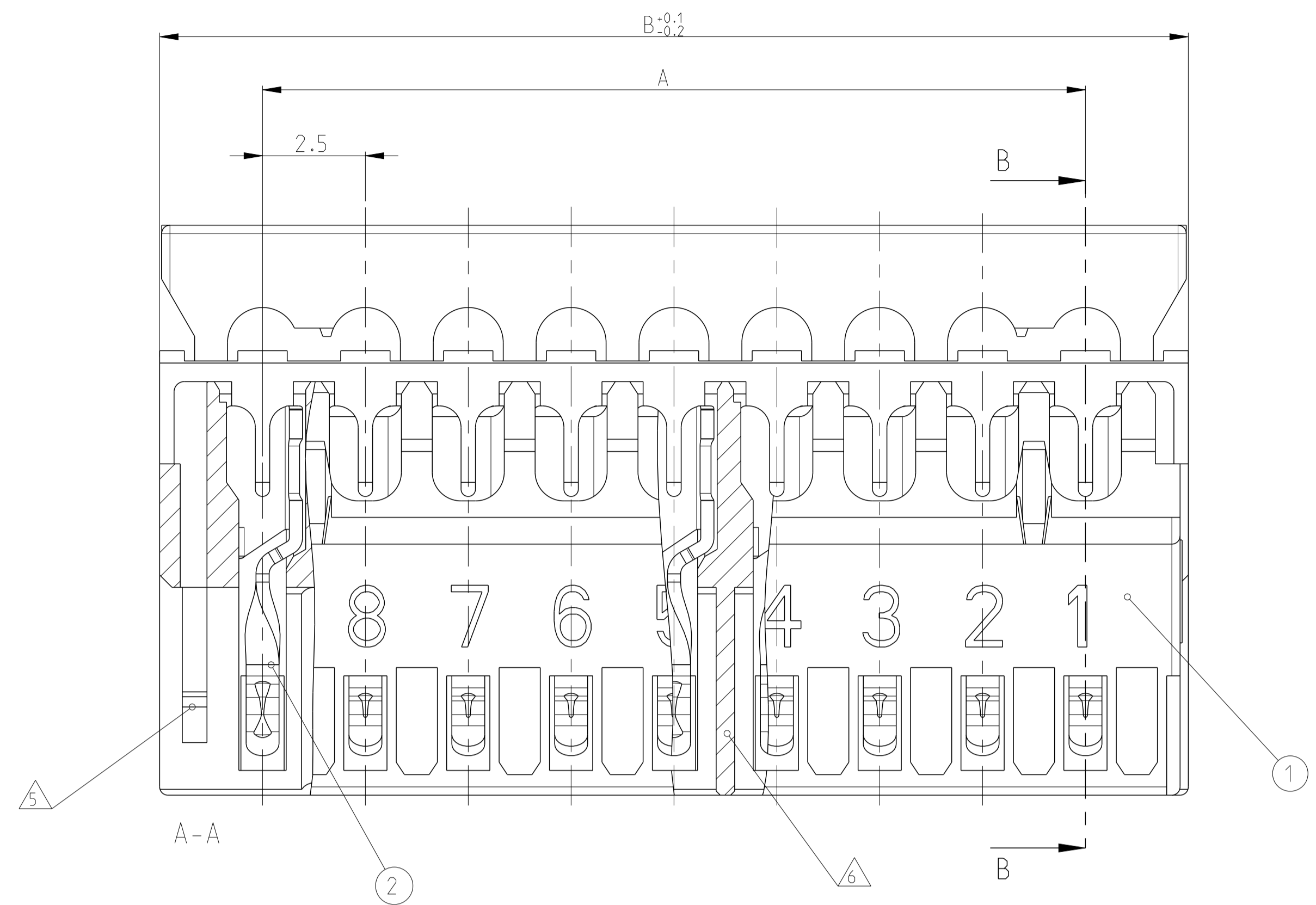


LOC		DIST		REVISIONS			
P	LTN	DESCRIPTION	DATE	DWN	APVD		
C7		ECR-20-003825	23MAR2020	LZ	FL		
C8		REVISED PER ECR-20-008668	22JUN2020	BDA	KD		



- 15 HOUSING COLOUR: SIMILAR RAL 5024
- 14 PRELIMINARY - NOT RELEASED FOR PRODUCTION
- 13 COLOR STRIP ON COVER OF HOUSING. NOT THE COLOR OF HOUSING
- 12 TE LOGO
- 8 - 11 SEE SHEET 2 siehe Blatt 2
- 7 RESERVED FOR BASIC NO. 1 740 155 fuer Basisnummer 1 740 155 reserviert
- 6 POLARIZATION RIB BETWEEN CAVITY NO. ... Polarisierungsrippe zwischen Kammer Nr. ...
- 5 LOCKING HOOK BETWEEN BEFORE CAVITY NO. 1 AND AFTER LAST CAVITY Rasthaken vor Kammer Nr. 1 und letzter Kammer
- 4 WIRE RANGE: 0.22-0.35mm² Drahtgroessenbereich: 0.22-0.35mm²
- 3 IEC 60695-2-1 / IEC60335-1 GLOW WIRE TEST 750 °C WITHOUT FLAME IEC 60695-2-1 / IEC60335-1 Gluehdrahttest 750 °C ohne Flamme
- 2 MATING PART: SEE PCB LAYOUT Passender Gegenstecker: Siehe Leiterplattenanschluss
- 1 KEYING RIBS; CUTTING WITH TERMINATION MACHINE POSSIBLE Kodierrippe; Schneiden auf der Verarbeitungsmaschine moeglich

OBSOLETE

Color Code	POS. Polzahl	DIM A	DIM B	POLARIZATION	PN Bestell-Nr.
Green	3	5	9.9	2+3	14 8-1740154-3 15
	3	5	9.9	2+3	14 7-1740154-3
	3	5	9.9	-	6-1740154-3
	8	17.5	22.4	5 + 6	14 1-1740154-8
	6	12.5	17.4	4 + 5	14 1-1740154-6
	5	10	14.9	-	14 2-1740154-5
	5	10	14.9	4 + 5	14 1-1740154-5
	4	7.5	12.4	1 + 2	14 1-1740154-4
Blue	3	5	9.9	2 + 3	14 1-1740154-3
	6	12.5	17.4	-	9-1740154-6
	5	10	14.9	-	9-1740154-5
	3	5	9.9	-	9-1740154-3
	20	47.5	52.4	9 + 10	-
	19	45	49.9	9 + 10	-
	18	42.5	47.4	8 + 9	-
	17	40	44.9	8 + 9	-
16	37.5	42.4	7 + 8	7	
15	35	39.9	7 + 8	-	
14	32.5	37.4	6 + 7	-	
13	30	34.9	6 + 7	-	
12	27.5	32.4	5 + 6	-	
11	25	29.9	5 + 6	-	
10	22.5	27.4	4 + 5	-	
9	20	24.9	4 + 5	-	
8	17.5	22.4	3 + 4	-	
7	15	19.9	3 + 4	-	
6	12.5	17.4	2 + 3	-	
5	10	14.9	2 + 3	-	
4	7.5	12.4	1 + 2	-	
3	5	9.9	1 + 2	-	

2	SEE TABLE	CONTACT/Kontakt	CuSn	TINNED/verzinkt
1	siehe Tabelle	HOUSING/Federleistengeh.	PA 6 GF UL94-V2	NATUR/Natur
POS.	PN Bestell-Nr.	DESCRIPTION Beschreibung	MATERIAL	COLOUR/FINISH Farbe/Oberflaeche

THIS DRAWING IS A CONTROLLED DOCUMENT. DIMENSIONS: mm. TOLERANCES UNLESS OTHERWISE SPECIFIED: 0 PLC ±0.2, 1 PLC ±0.2, 2 PLC ±0.2, 3 PLC ±0.2, 4 PLC ±0.2, ANGLES ±°. FINISH: SEE TABLE.

DWN: H. Karabiyik, 05MAR2004
CHK: B. Schnaubelt, 05MAR2004
APVD: T. Klenner, 05MAR2004

STE TE Connectivity
NAME: AMP DUOPLUG MK11 FEMALE CONNECTOR 3-20 POSITION WITH PCB LOCKING
SIZE: A1, CAGE CODE: 00779, DRAWING NO: C=1740154, SHEET 1 OF 2, REV: C8

X-ON Electronics

Largest Supplier of Electrical and Electronic Components

Click to view similar products for [Headers & Wire Housings](#) category:

Click to view products by [TE Connectivity](#) manufacturer:

Other Similar products are found below :

[892-18-020-10-001101](#) [58102-G61-06LF](#) [582553-1](#) [0009485154](#) [009176003701906](#) [0050291907](#) [LY20-4P-DT1-P1E-BR](#) [02.125.8002.8](#)
[609-3404](#) [61062-3](#) [61082-181009](#) [622-3653LF](#) [63453-116](#) [636-1030](#) [636-1427](#) [636-3427](#) [636-4007](#) [641938-9](#) [641991-4](#) [644827-2](#) [65817-](#)
[010LF](#) [65817-015LF](#) [65863-015LF](#) [66207-023LF](#) [67095-007LF](#) [67601157](#) [68645-018](#) [68648-049](#) [70.362.1628.0](#) [70-4210](#) [70-4226B](#) [70-](#)
[4853B](#) [707-5020](#) [707-5028](#) [71.350.2428.0](#) [71918-208LF](#) [71961-016LF](#) [733-134](#) [733-162](#) [754199-000](#) [760-3052](#) [787-8014-00](#) [79531-3000](#)
[FCN-360C032-B](#) [FCN-367T-T012/H](#) [FCN-723D010/2](#) [80.063.4001.1](#) [800-90-001-10-001000](#) [800-90-010-10-002000](#) [801-43-002-10-013000](#)