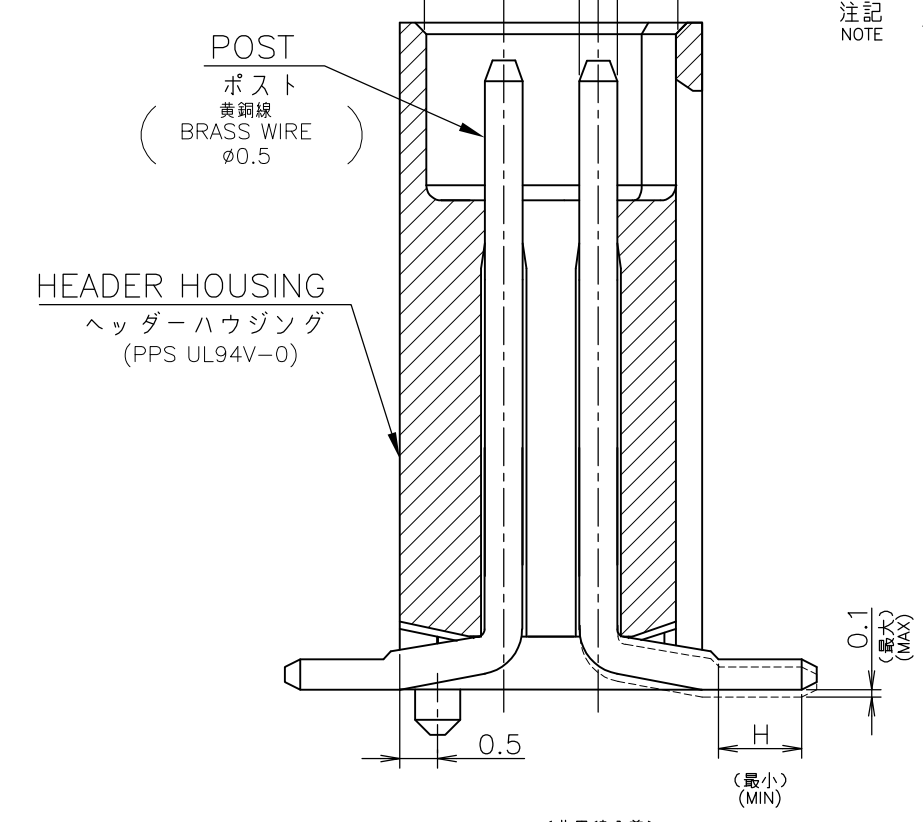
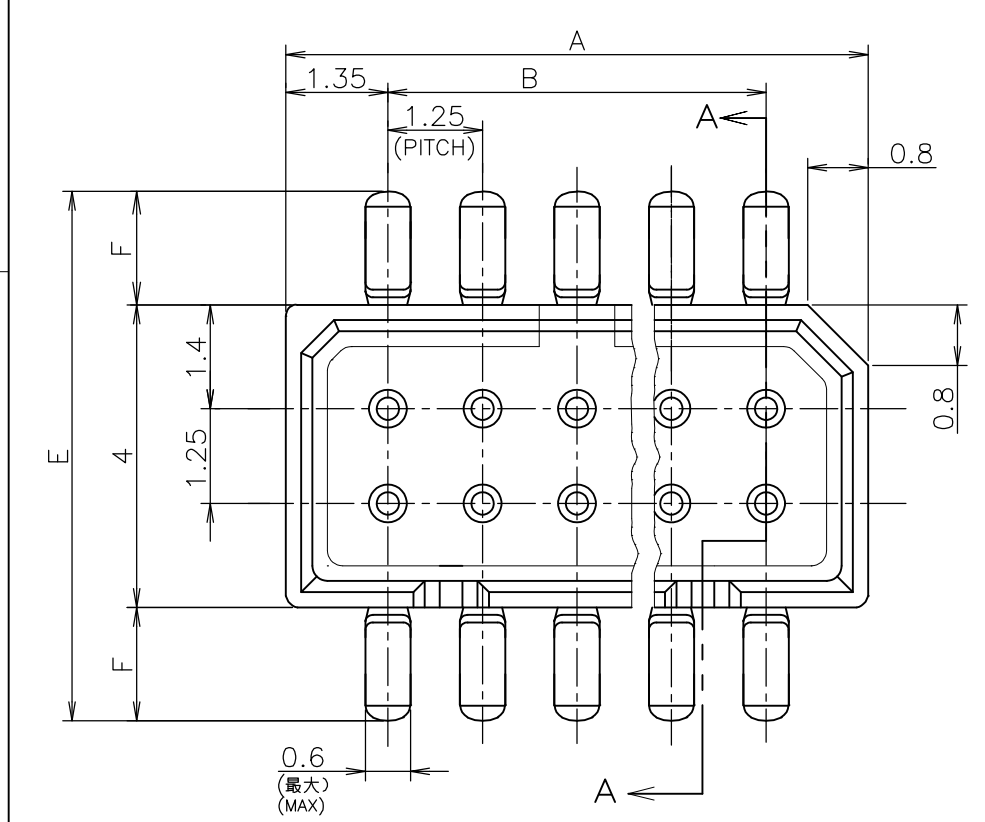


THIS DRAWING IS UNPUBLISHED. RELEASED FOR PUBLICATION  
 © COPYRIGHT BY TYCO ELECTRONICS CORPORATION. ALL RIGHTS RESERVED.

LOC	DIST	REVISIONS					
		P	LTR	DESCRIPTION	DATE	DWN	APVD
J			J	REVISED FJB0-0267-03	09MAY03	T.T	H.M
			J1	REVISED PER ECO-10-000443	12JAN10	KK	AEG

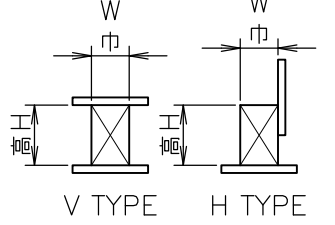


注記 NOTE 1 嵌合相手製品型番及び、嵌合時寸法は  
 MATING COUNTER PART NUMBER AND DIMENSIONS  
 表-1 参照のこと。 AFTER MATING: SEE TABLE 1.  
 嵌合時寸法:巾(mm)x高さ(mm)  
 DIMENSIONS AFTER MATING: WIDTH(mm) x HEIGHT(mm)

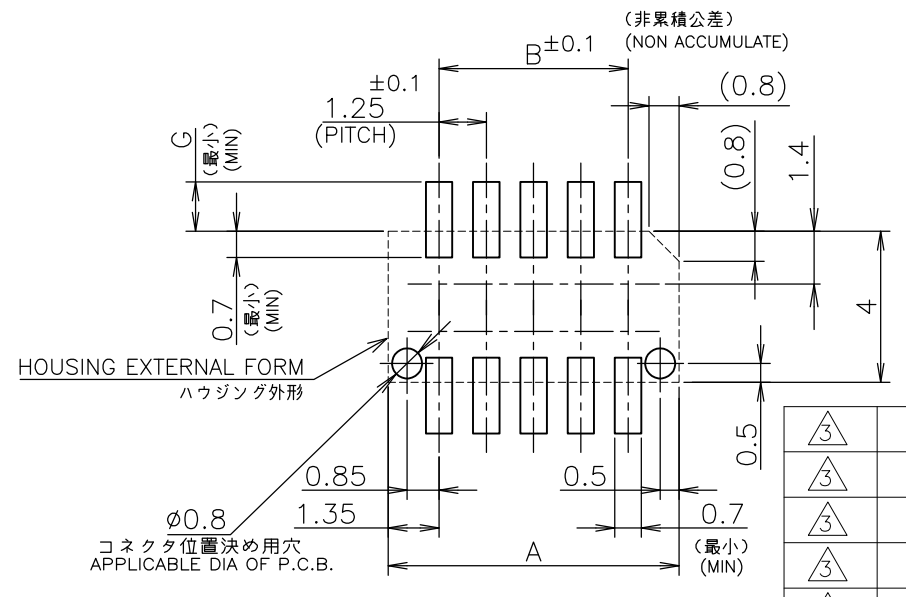
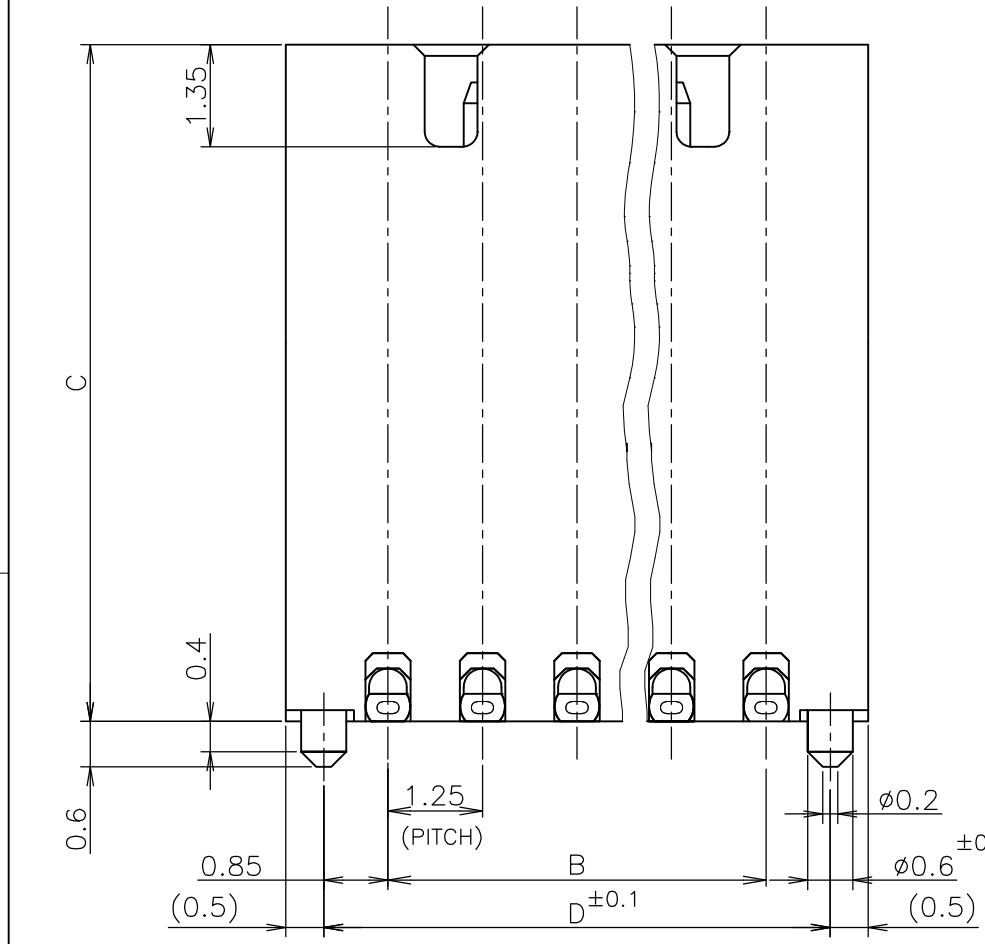
MATING COUNTER CONNECTOR REVERSE ASSY	SMT TYPE - IMPROVED TYPE X-176140-X		
	ハウジング高さ C寸法 HOUSING HEIGHT C DIMENSIONS		
	3.95	5.45	5.95
DIP TYPE	V TYPE X-176870-X	5.6(巾W)x 5.0(高H)	7.0(巾W)x 10.0(高H)
	H TYPE X-176892-X	5.6(巾W)x 5.8(高H)	7.0(巾W)x 10.8(高H)
SMT TYPE	V TYPE 無ボス WITHOUT BOSS X-176768-X	5.6(巾W)x 5.0(高H)	7.0(巾W)x 10.0(高H)
	V TYPE 有ボス WITH BOSS X-176311-X	5.6(巾W)x 5.0(高H)	7.0(巾W)x 10.0(高H)
	H TYPE 無ボス WITHOUT BOSS X-176893-X	5.6(巾W)x 6.9(高H)	7.0(巾W)x 11.9(高H)
	H TYPE 有ボス WITH BOSS X-176490-X	5.6(巾W)x 6.9(高H)	7.0(巾W)x 11.9(高H)

TABLE 1 表-1 SMT TYPEは、巾及び高さ寸法に SMT TYPE INCLUDE DIMENSIONS 半田付タイプ寸法を含みます。 OF SOLDER DIP TYPE.

- ② 仕上げ: 錫めっき(材料めっき)リフロー FINISH; PLI-TIN REFLOW
- ③ 仕上げ: ニッケル下地錫めっき(後めっき) FINISH; TIN PL. Ni UNDER PL. ALL OVER
- ④ OBSOLETE PARTS: OBSOLETE CIS STREAMLINING PER D.RENAUD/D.SINISI



鉛フリー LEAD FREE



P.C.B MOUNTING LAYOUT 基板加工寸法 (適用基板厚: 0.6mm 最小) (APPLICABLE P.C.B THK: 0.6mm MIN)

③						19.20		17.50	20.20	30	9-	-0
③						16.70	3.95	15.00	17.70	26	8-	-6
③		0.4	1.3	0.8	5.6	10.45	5.45	8.75	11.45	16	④ 4-	-6
③						19.20		17.50	20.20	30	3-	-0
③						15.45		13.75	16.45	24	2-	-4
③	黑色 BLACK	1.0	2.0	1.5	7.0	14.20	8.85	12.50	15.20	22	2-176140-2	
仕上げ FINISH	色別 COLOR	H	G	F	E	D	C	B	A	極数 Pos.	型番 P/N	

THIS DRAWING IS A CONTROLLED DOCUMENT.

DWN S.KANEKI 20FEB89	 Tyco Electronics AMP K.K. Kawasaki, Japan
CHK J.TANIGAWA 20FEB89	
APVD N.ONOUE 20FEB89	
NAME	
PRODUCT SPEC	1.25 F-P CONNECTOR (B-TO-B) DOUBLE ROW POST HDR ASSY SMT TYPE WITH BOSS - IMPROVED TYPE
APPLICATION SPEC	108-5246
WEIGHT	SIZE A3 CAGE CODE 00779 DRAWING NO C-176140 RESTRICTED TO
MATERIAL AS SHOWN 図中参照	CUSTOMER DRAWING SCALE 10:1 SHEET 1 OF 1 REV J1

## X-ON Electronics

Largest Supplier of Electrical and Electronic Components

*Click to view similar products for [Board to Board & Mezzanine Connectors](#) category:*

*Click to view products by [TE Connectivity](#) manufacturer:*

Other Similar products are found below :

[10135583-642402LF](#) [89885-310LF](#) [589158040000018](#) [6-1393048-0](#) [68683-613](#) [MDF7-12DP-2.54DSA](#) [MDF7-18P-2.54DSA\(01\)](#) [MDF7-20DP-2.54DSA](#) [MDF7-26D-2.54DSA\(55\)](#) [MDF7-3P-2.54DSA\(01\)](#) [MDF7B-3P-2.54DSA\(55\)](#) [MDF7C-11P-2.54DSA\(55\)](#) [MDF7C-18P-2.54DSA\(55\)](#) [MDF7C-5P-2.54DSA\(01\)](#) [MDF7P-5P-2.54DSA\(55\)](#) [75234-0516](#) [FCN-230C068-11](#) [FCN-268F012-G/BD](#) [FCN-268F036-G/BD](#) [FCN-268M012-G/0D](#) [FCN-268M024-G/1D](#) [FCN-360C008-C](#) [FCN-360C040-C](#) [FCN-723J004/1](#) [MIS-048-01-F-D-DP-K](#) [832-10-034-10-001000](#) [93696-325LF](#) [11828-1FA](#) [AXK630345P](#) [18097-0013](#) [ICA-328STT](#) [2007042-2](#) [304400-2](#) [FCN-214Q030-G/0](#) [FCN-215Q040-G/0](#) [FCN-230C068-ESA](#) [FCN-234P048-G/0](#) [FCN-235D050-G/C](#) [FCN-360A3](#) [FCN-360C040-B](#) [210-93-314-41-105000](#) [2-22603-0](#) [379-064-521-202](#) [MDF7-12P-2.54DSA\(01\)](#) [MDF7-16P-2.54DS\(56\)](#) [MDF7-40DP-2.54DSA\(55\)](#) [MDF7-8P-2.54DSA\(55\)](#) [MDF7B-16P-2.54DSA\(55\)](#) [AXG720047](#) [5031084030](#)