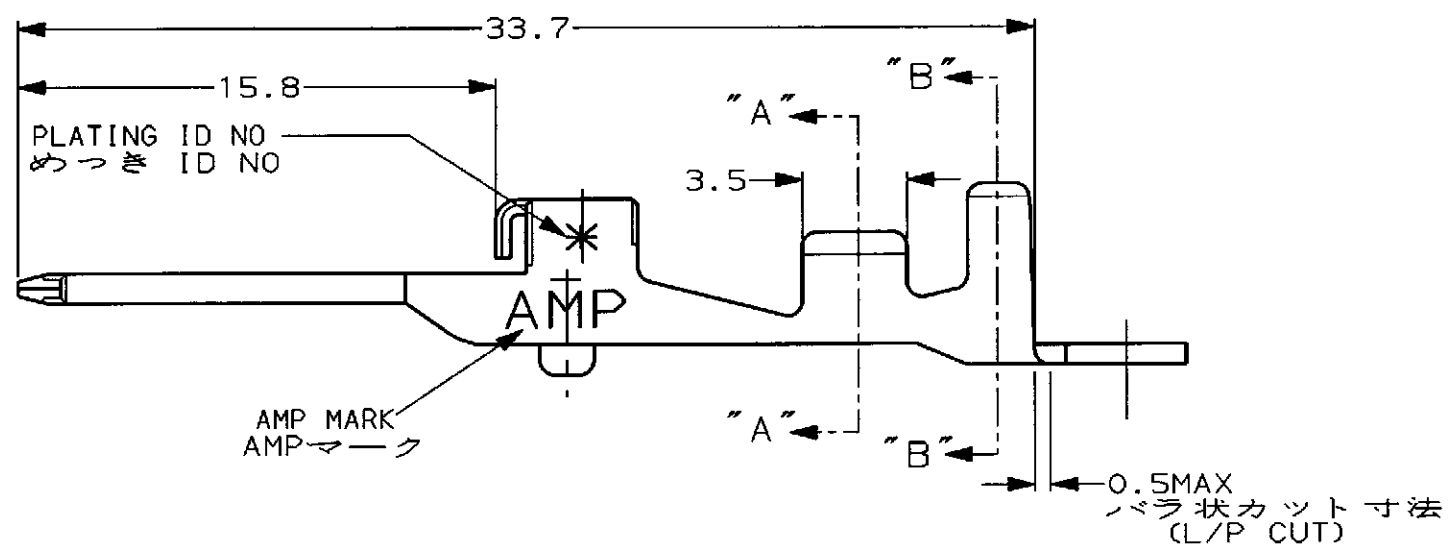
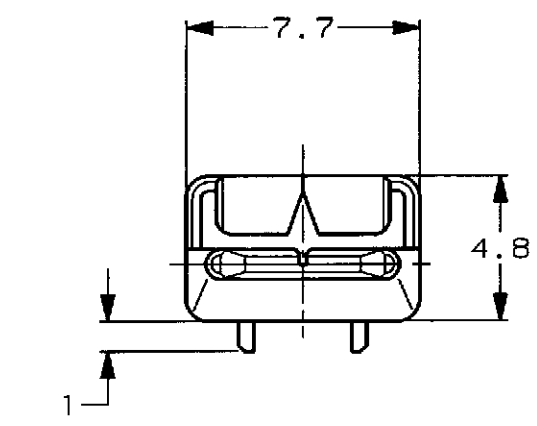
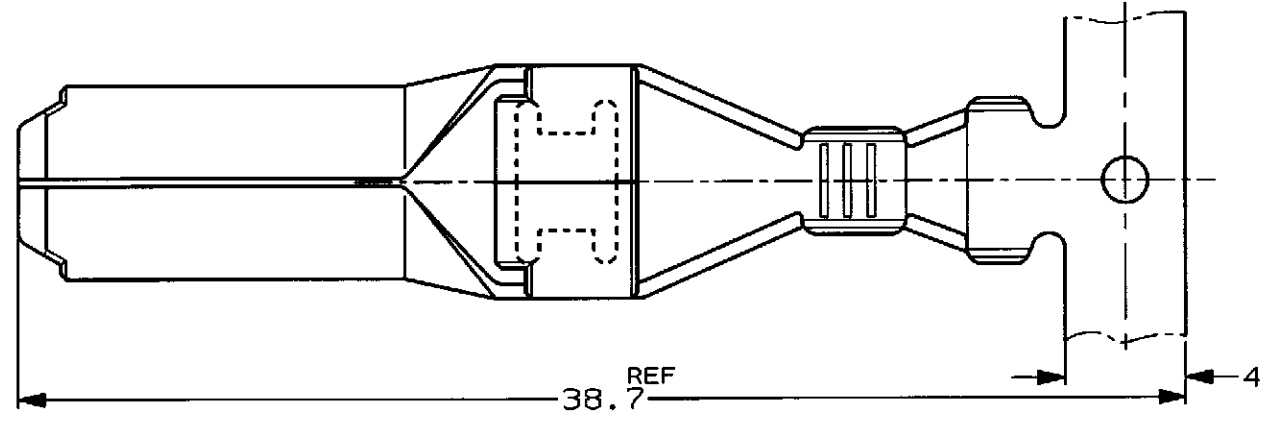
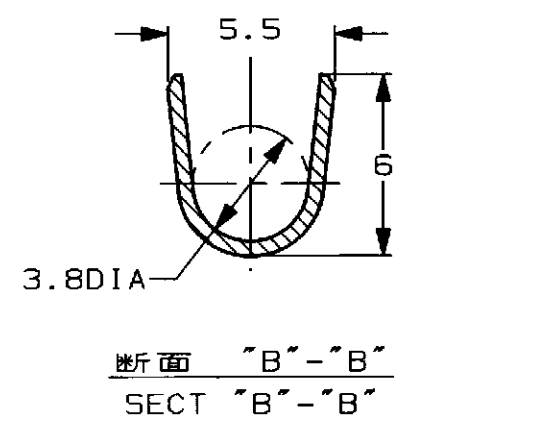
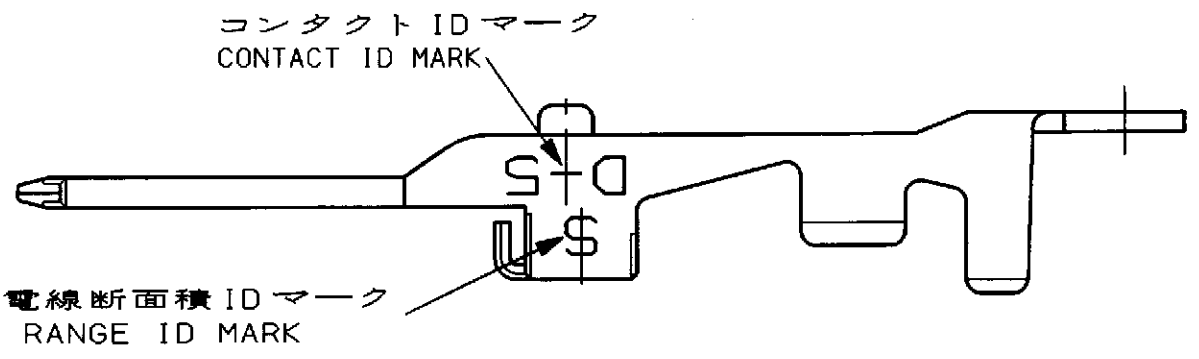
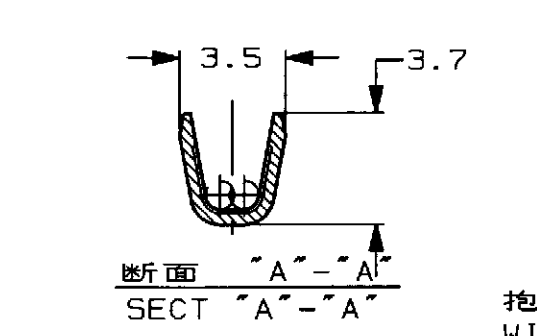


THIS DRAWING IS UNPUBLISHED. RELEASED FOR PUBLICATION ,1995
 © COPYRIGHT 1995 BY AMP INCORPORATED. ALL RIGHTS RESERVED.

| LOC | | DIST | | REVISIONS | | | | |
|-----|-----|-------------|----------|--------------|----------|------|------|--|
| P | LTR | DESCRIPTION | | ECN | DATE | DWN | APVD | |
| | | 0 | RELEASED | FJ00-3551-95 | 1/NOV 95 | K. I | S.M | |



注記

- ① めっき: コンタクト: 全面Ni下地
接触部: 0.38μm MIN金めっき
- ② めっき: コンタクト: 全面Ni下地
接触部: 0.76μm MIN金めっき

NOTES

- ① FINISH (CONTACT AREA): 0.38μm MIN GOLD PLATING OVER Ni PLATING
- ② FINISH (CONTACT AREA): 0.76μm MIN GOLD PLATING OVER Ni PLATING

| めっき ID NO PL ID CODE | 仕上 FINISH | バラ状 L/P | 連鎖状 STRIPPED |
|-------------------------|--------------|------------|-----------------|
| 3 | ② | 917804-3 | 917802-3 |
| 2 | ① | 917804-2 | 917802-2 |
| 型番 (P/N) | | | |

| | | |
|--------------------------------------|--------------------------|--------------------------------------|
| WIRE RANGE 抱合電線断面積 AWG #16/#14 | 1.23/2.27mm ² | INSULATION DIA 被覆外径 3/3.8 mm φ |
|--------------------------------------|--------------------------|--------------------------------------|

| | | |
|---|--|--|
| THIS DRAWING IS A CONTROLLED DOCUMENT FOR AMP INCORPORATED. IT IS SUBJECT TO CHANGE AND THE CONTROLLING ENGINEERING ORGANIZATION SHOULD BE CONTACTED FOR THE LATEST REVISION. | | DWN K. IKEDA 31/OCT/95 |
| DIMENSIONS: 単位: 純 mm | | CHK Y. Ishikawa 3/OCT/95 |
| TOLERANCES UNLESS OTHERWISE SPECIFIED 一般公差 10μm : ±0.3 30μm : ±0.35 100μm : ±0.4 ANGLE : ±3° | | APVD S. MURASE 1/NOV/95 |
| MATERIAL 材料 銅合金 (COPPER ALLOY) | | PRODUCT SPEC 製品規格 108-5453 |
| FINISH 仕上 SEE TABLE 表参照 | | APPLICATION SPEC 取付適用規格 114-5206 |
| | | WEIGHT T1 |
| CUSTOMER DRAWING | | |

| | | |
|---|--------------------|----------------------------|
| AMP 日本エー・エム・ピー株式会社 Kawasaki, Japan | | |
| NAME 名称 TAB CONTACT "S" SIZE タブ コンタクト "S" サイズ <DYNAMIC D-5000 SERIES> | | |
| SIZE A3 | CAGE CODE 00779 | DRAWING NO 番号 917802 |
| SCALE 尺度 4-1 | | SHEET 1 OF 1 REV 0 |

X-ON Electronics

Largest Supplier of Electrical and Electronic Components

Click to view similar products for [Headers & Wire Housings](#) category:

Click to view products by [TE Connectivity](#) manufacturer:

Other Similar products are found below :

[892-18-020-10-001101](#) [58102-G61-06LF](#) [582553-1](#) [0009485154](#) [009176003701906](#) [0050291907](#) [LY20-4P-DT1-P1E-BR](#) [02.125.8002.8](#)
[609-3404](#) [61062-3](#) [61082-181009](#) [622-3653LF](#) [63453-116](#) [636-1030](#) [636-1427](#) [636-3427](#) [636-4007](#) [641938-9](#) [641991-4](#) [644827-2](#) [65817-](#)
[010LF](#) [65817-015LF](#) [65863-015LF](#) [66207-023LF](#) [67095-007LF](#) [67601157](#) [68645-018](#) [68648-049](#) [70.362.1628.0](#) [70-4210](#) [70-4226B](#) [70-](#)
[4853B](#) [707-5020](#) [707-5028](#) [71.350.2428.0](#) [71918-208LF](#) [71961-016LF](#) [733-134](#) [733-162](#) [754199-000](#) [760-3052](#) [787-8014-00](#) [79531-3000](#)
[FCN-360C032-B](#) [FCN-367T-T012/H](#) [FCN-723D010/2](#) [80.063.4001.1](#) [800-90-001-10-001000](#) [800-90-010-10-002000](#) [801-43-002-10-013000](#)