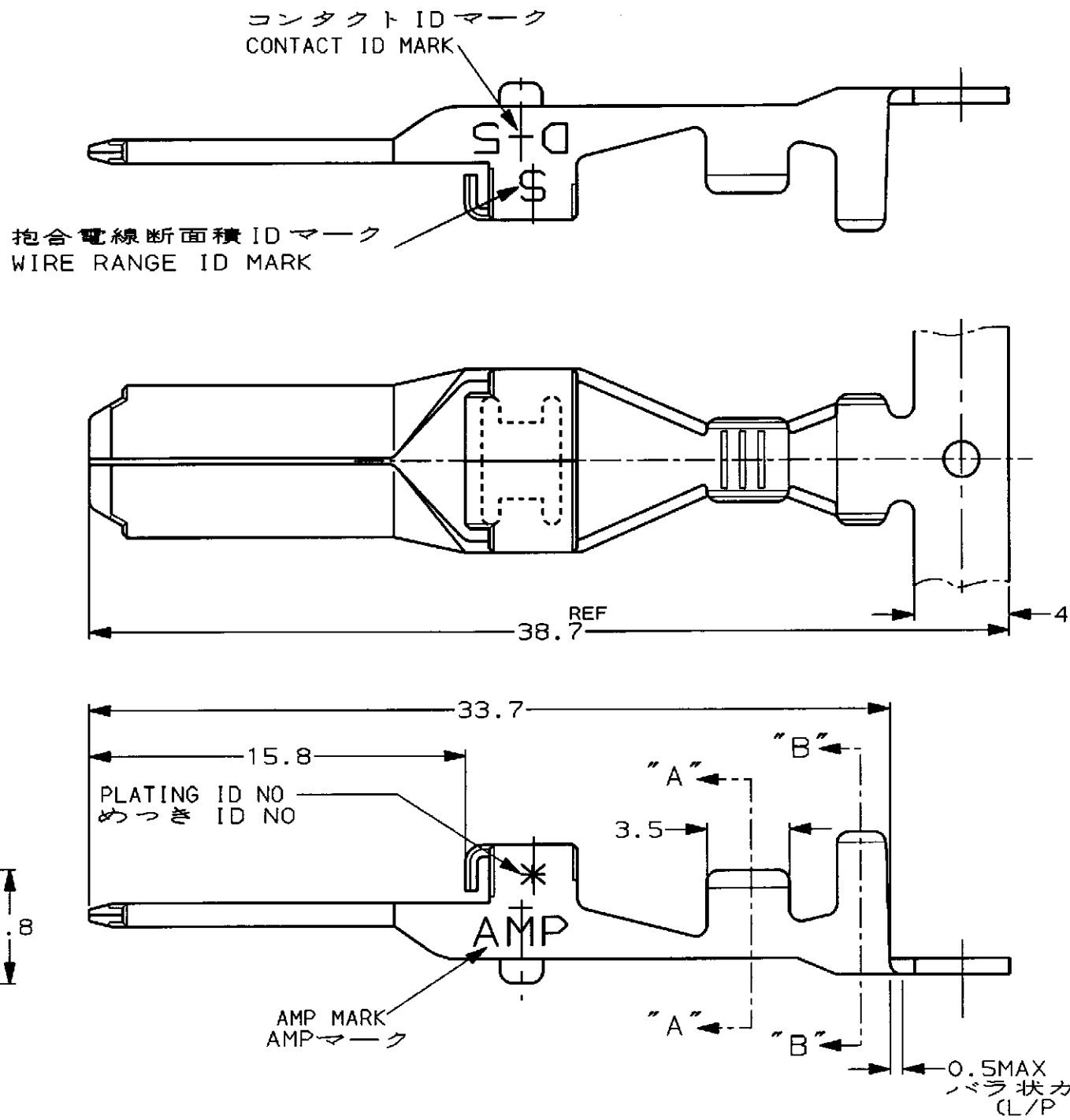
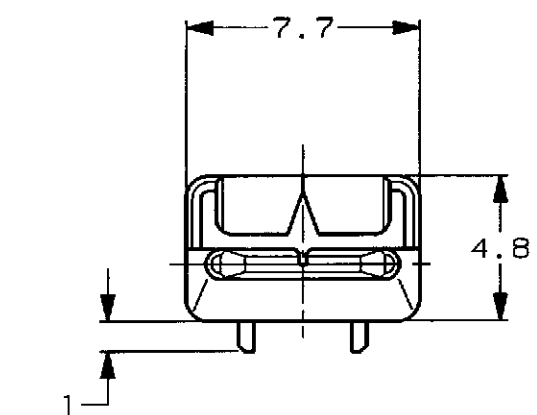
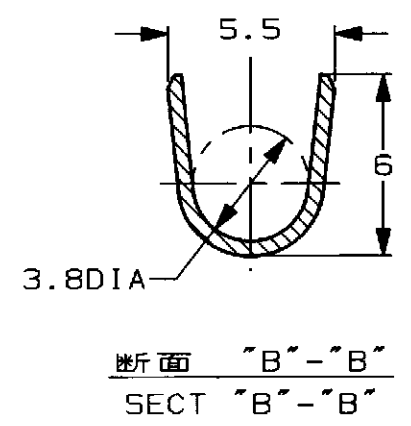
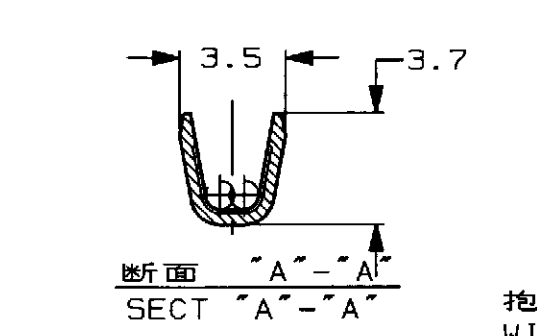


THIS DRAWING IS UNPUBLISHED. RELEASED FOR PUBLICATION ,1995  
 © COPYRIGHT 1995 BY AMP INCORPORATED. ALL RIGHTS RESERVED.

LOC		DIST		REVISIONS				
P	LTR	DESCRIPTION		ECN	DATE	DWN	APVD	
		0	RELEASED	FJ00-3551-95	1/NOV 95	K. I	S.M	



注記  
 ① めっき:コンタクト:全面Ni下地  
 接触部:0.38μm MIN金めっき  
 ② めっき:コンタクト:全面Ni下地  
 接触部:0.76μm MIN金めっき

NOTES  
 ① FINISH (CONTACT AREA): 0.38μm MIN GOLD PLATING OVER Ni PLATING  
 ② FINISH (CONTACT AREA): 0.76μm MIN GOLD PLATING OVER Ni PLATING

めっき ID NO	仕上	バラ状 L/P	連鎖状 STRIPPED
PL ID CODE	FINISH	型番 (P/N)	

WIRE RANGE 1.23/2.27mm<sup>2</sup> INSULATION DIA 3/3.8 mm φ  
 被覆外径  
 AWG #16/#14

THIS DRAWING IS A CONTROLLED DOCUMENT FOR AMP INCORPORATED. IT IS SUBJECT TO CHANGE AND THE CONTROLLING ENGINEERING ORGANIZATION SHOULD BE CONTACTED FOR THE LATEST REVISION.		DWN 31/OCT/95 K. IKEDA
DIMENSIONS: 単位: 概 mm		CHK 3/OCT/95 Y. Ishikawa
TOLERANCES UNLESS OTHERWISE SPECIFIED 一般公差 10μm ±0.3 30μm ±0.35 100μm ±0.4 ANGLE ±3°		APVD 1/NOV/95 S. MURASE
MATERIAL 銅合金 (COPPER ALLOY)		PRODUCT SPEC 108-5453
FINISH 仕上 SEE TABLE 表参照		APPLICATION SPEC 114-5206
		WEIGHT T1
		CUSTOMER DRAWING

AMP 株式会社 Kawasaki, Japan		
NAME 名称 TAB CONTACT "S" SIZE タブ コンタクト "S" サイズ <DYNAMIC D-5000 SERIES>		
SIZE A3	CAGE CODE 00779	DRAWING NO 番号 917802
SCALE 尺度 4-1		SHEET 1 OF 1 REV 0

## X-ON Electronics

Largest Supplier of Electrical and Electronic Components

*Click to view similar products for [Headers & Wire Housings](#) category:*

*Click to view products by [TE Connectivity](#) manufacturer:*

Other Similar products are found below :

[892-18-020-10-001101](#) [58102-G61-06LF](#) [582553-1](#) [0009485154](#) [009176003701906](#) [0050291907](#) [LY20-4P-DT1-P1E-BR](#) [02.125.8002.8](#)  
[609-3404](#) [61062-3](#) [61082-181009](#) [622-3653LF](#) [63453-116](#) [636-1030](#) [636-1427](#) [636-3427](#) [636-4007](#) [641938-9](#) [641991-4](#) [644827-2](#) [65817-](#)  
[010LF](#) [65817-015LF](#) [65863-015LF](#) [66207-023LF](#) [67095-007LF](#) [67601157](#) [68645-018](#) [68648-049](#) [70.362.1628.0](#) [70-4210](#) [70-4226B](#) [70-](#)  
[4853B](#) [707-5020](#) [707-5028](#) [71.350.2428.0](#) [71918-208LF](#) [71961-016LF](#) [733-134](#) [733-162](#) [754199-000](#) [760-3052](#) [787-8014-00](#) [79531-3000](#)  
[FCN-360C032-B](#) [FCN-367T-T012/H](#) [FCN-723D010/2](#) [80.063.4001.1](#) [800-90-001-10-001000](#) [800-90-010-10-002000](#) [801-43-002-10-013000](#)