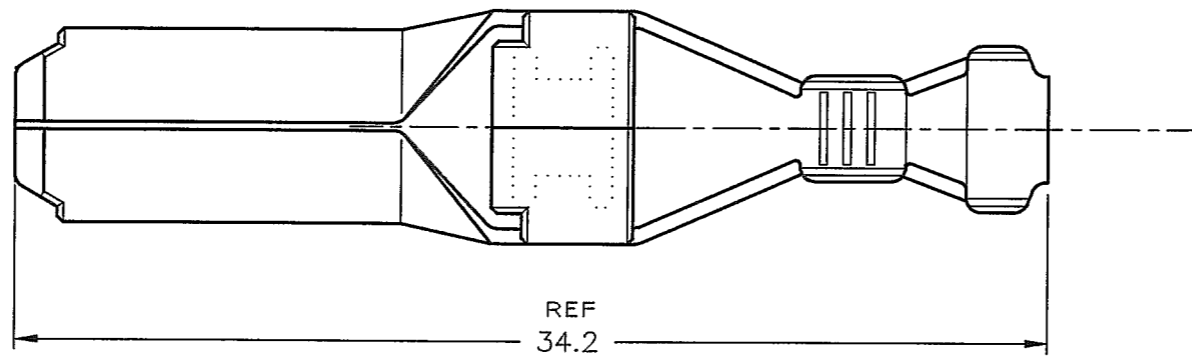
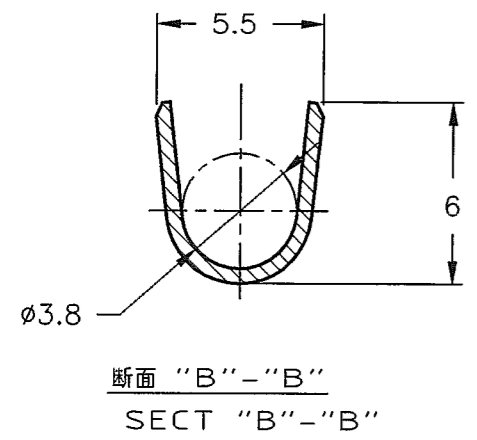
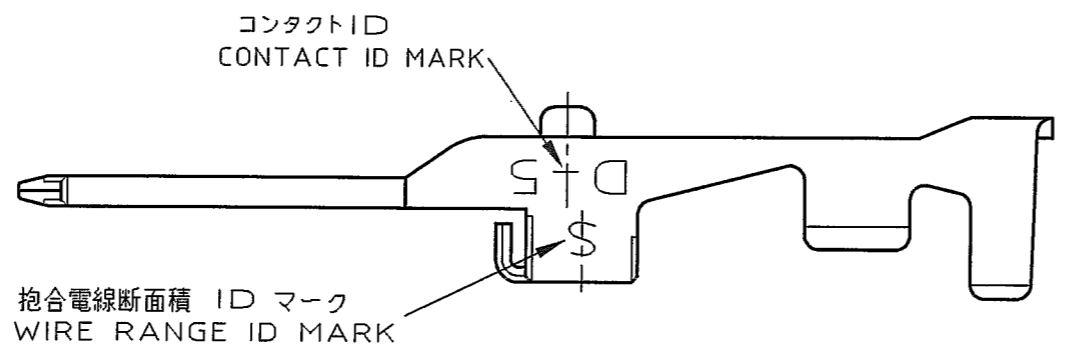
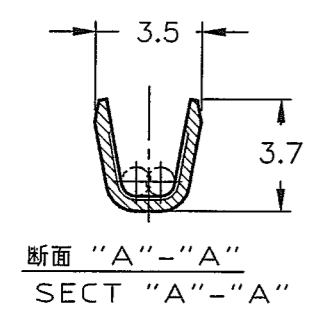


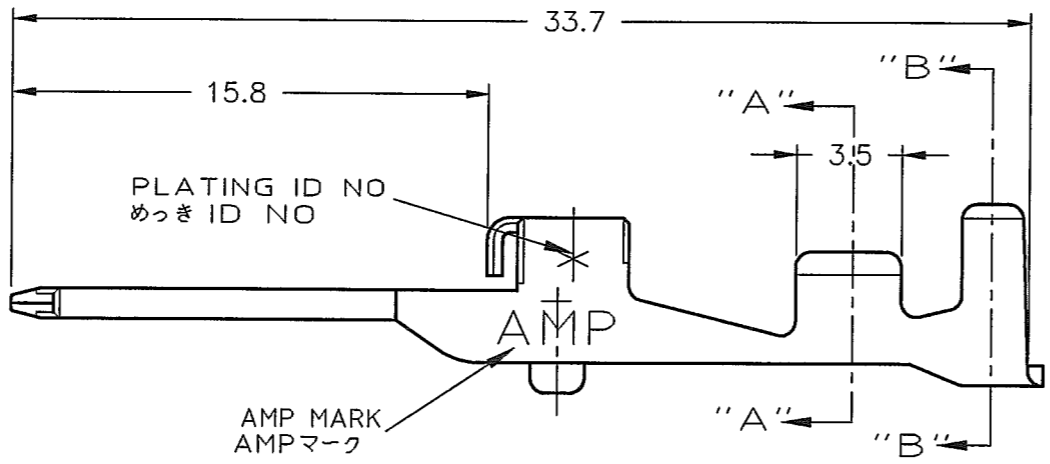
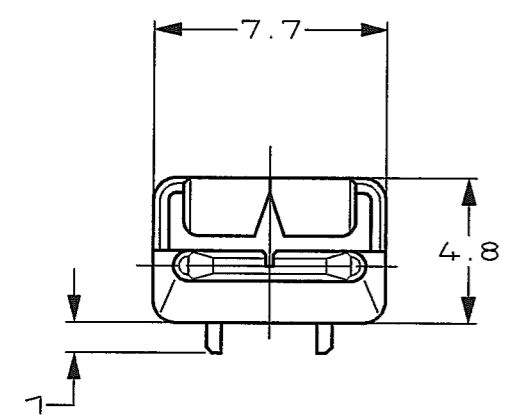
THIS DRAWING IS UNPUBLISHED. RELEASED FOR PUBLICATION 1997
 © COPYRIGHT 1995 BY AMP INCORPORATED. ALL RIGHTS RESERVED.

LOC		DIST		REVISIONS					
				変更					
P	LTR	DESCRIPTION		ECN	DATE	DWN	APVD		
	0	RELEASED		FJ00-0992-97	27/JUN '97	K.I.	I.H.		
	01	REVISED		ECR-05-003013	16 May '95	T.S.	DM		



- 注記
- △1 めっき: コンタクト: 全面Ni下地
接触部: 0.38μm MIN金めっき
 - △2 めっき: コンタクト: 全面Ni下地
接触部: 0.76μm MIN金めっき
 - △3 めっき: コンタクト: 全面Ni下地
全面: 2.54μm MIN銀めっき

- NOTES
- △1 FINISH (CONTACT AREA): 0.38μm MIN GOLD PLATING OVER Ni PLATING
 - △2 FINISH (CONTACT AREA): 0.76μm MIN GOLD PLATING OVER Ni PLATING
 - △3 FINISH (CONTACT AREA): 2.54μm MIN SILVER PLATING OVER Ni PLATING



6	△3	917804-6
3	△2	917804-3
2	△1	917804-2
めっき ID NO	仕上	バラ状
PL ID CODE	FINISH	L/P
		(P/N) 型番

WIRE RANGE 抱合電線断面積	1.23/2.27sq AWG #16/#14	INSULATION DIA 被覆外径	3/3.8 mm φ
-----------------------	----------------------------	------------------------	------------

THIS DRAWING IS A CONTROLLED DOCUMENT FOR AMP INCORPORATED. IT IS SUBJECT TO CHANGE AND THE CONTROLLING ENGINEERING ORGANIZATION SHOULD BE CONTACTED FOR THE LATEST REVISION.		DWN	26/JUN/'97		Tyco Electronics AMP K.K. Kawasaki, Japan
DIMENSIONS: 単位 特 mm		CHK	K.IKEDA 27/JUN/'97		
TOLERANCES UNLESS OTHERWISE SPECIFIED		APVD	N.MATSUBARA 27/JUN/'97	NAME 名称	
一般公差 1Q : ±0.3 3Q : >10 : ±0.35 10Q : >30 : ±0.4 ANGLE : ±3°		I.HASEGAWA		PRODUCT SPEC	
MATERIAL 材料 銅合金 (COPPER ALLOY)		FINISH 仕上		108-5453	
SEE TABLE 表参照		WEIGHT		APPLICATION SPEC	
		1.7g		114-5206	
		CUSTOMER DRAWING		SIZE	CAGE CODE
				A3	00779
				DRAWING NO 番号	
				C= 917804	
				SCALE 尺度	SHEET 1 OF 1
				4-1	REV 01

X-ON Electronics

Largest Supplier of Electrical and Electronic Components

Click to view similar products for [Headers & Wire Housings](#) category:

Click to view products by [TE Connectivity](#) manufacturer:

Other Similar products are found below :

[892-18-020-10-001101](#) [58102-G61-06LF](#) [582553-1](#) [0009485154](#) [009176003701906](#) [0050291907](#) [LY20-4P-DT1-P1E-BR](#) [02.125.8002.8](#)
[609-3404](#) [61062-3](#) [61082-181009](#) [622-3653LF](#) [63453-116](#) [636-1030](#) [636-1427](#) [636-3427](#) [636-4007](#) [641938-9](#) [641991-4](#) [644827-2](#) [65817-010LF](#) [65817-015LF](#) [65863-015LF](#) [66207-023LF](#) [67095-007LF](#) [67601157](#) [68645-018](#) [68648-049](#) [70.362.1628.0](#) [70-4210](#) [70-4226B](#) [70-4853B](#) [707-5020](#) [707-5028](#) [71.350.2428.0](#) [71918-208LF](#) [71961-016LF](#) [733-134](#) [733-162](#) [754199-000](#) [760-3052](#) [787-8014-00](#) [79531-3000](#)
[FCN-360C032-B](#) [FCN-367T-T012/H](#) [FCN-723D010/2](#) [80.063.4001.1](#) [800-90-001-10-001000](#) [800-90-010-10-002000](#) [801-43-002-10-013000](#)