

4

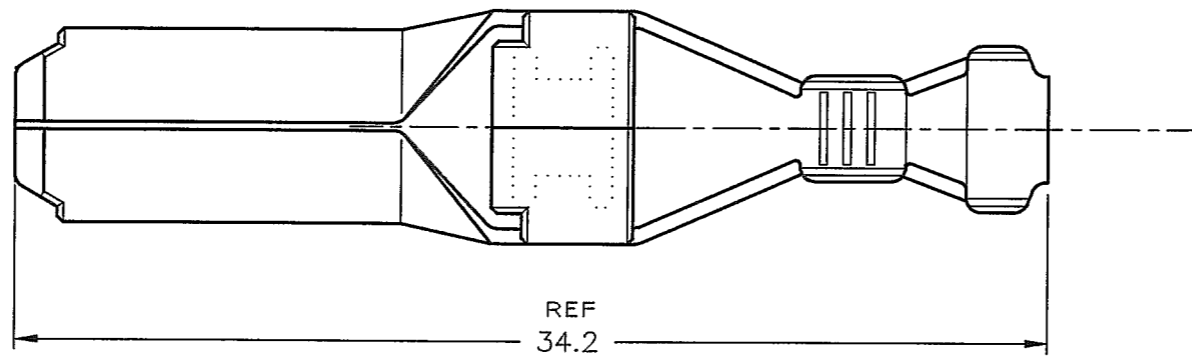
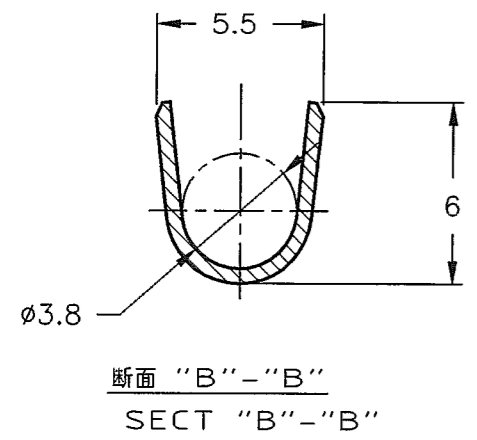
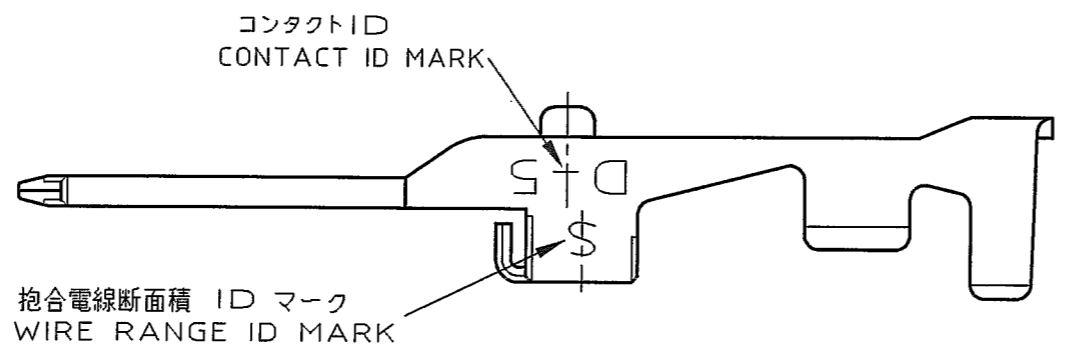
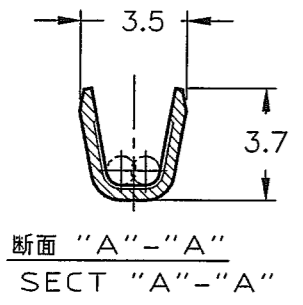
3

2

1

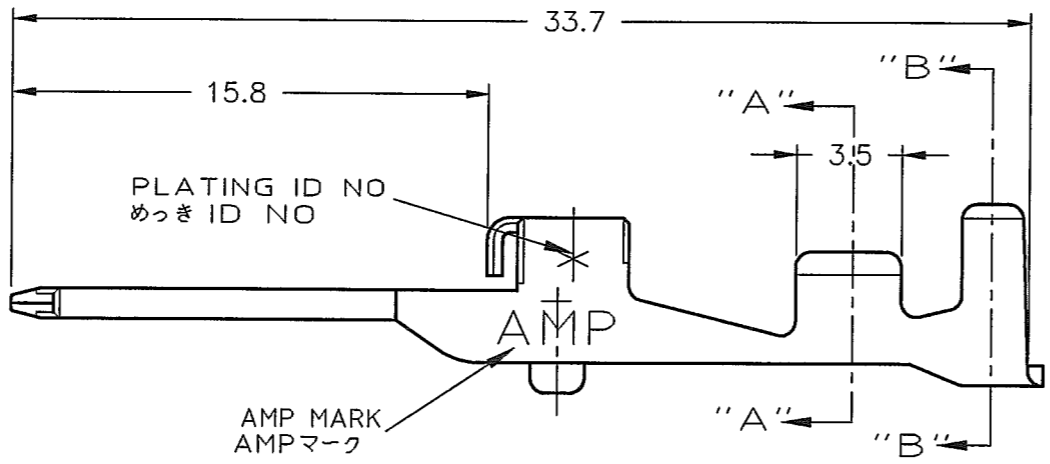
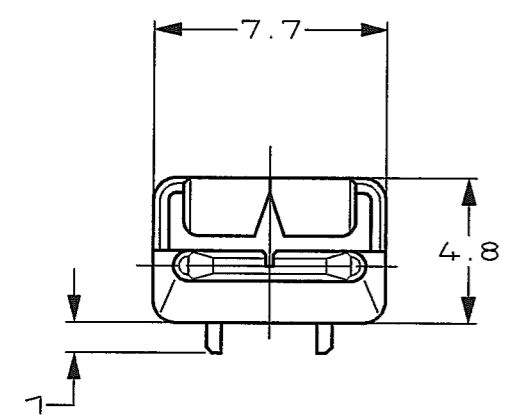
THIS DRAWING IS UNPUBLISHED. RELEASED FOR PUBLICATION 1997  
 © COPYRIGHT 1995 BY AMP INCORPORATED. ALL RIGHTS RESERVED.

| LOC |     | DIST        |  | REVISIONS     |            |      |      |  |  |
|-----|-----|-------------|--|---------------|------------|------|------|--|--|
|     |     |             |  | 変更            |            |      |      |  |  |
| P   | LTR | DESCRIPTION |  | ECN           | DATE       | DWN  | APVD |  |  |
|     | 0   | RELEASED    |  | FJ00-0992-97  | 27/JUN '97 | K.I. | I.H. |  |  |
|     | 01  | REVISED     |  | ECR-05-003013 | 16 May '95 | T.S. | DM   |  |  |



- 注記
- △1 めっき: コンタクト: 全面Ni下地  
接触部: 0.38μm MIN金めっき
  - △2 めっき: コンタクト: 全面Ni下地  
接触部: 0.76μm MIN金めっき
  - △3 めっき: コンタクト: 全面Ni下地  
全面: 2.54μm MIN銀めっき

- NOTES
- △1. FINISH (CONTACT AREA): 0.38μm MIN GOLD PLATING OVER Ni PLATING
  - △2. FINISH (CONTACT AREA): 0.76μm MIN GOLD PLATING OVER Ni PLATING
  - △3. FINISH (CONTACT AREA): 2.54μm MIN SILVER PLATING OVER Ni PLATING



|            |        |          |
|------------|--------|----------|
| 6          | △3     | 917804-6 |
| 3          | △2     | 917804-3 |
| 2          | △1     | 917804-2 |
| めっき ID NO  | 仕上     | バラ状      |
| PL ID CODE | FINISH | L/P      |
|            |        | (P/N)型番  |

|                       |                            |                        |            |
|-----------------------|----------------------------|------------------------|------------|
| WIRE RANGE<br>抱合電線断面積 | 1.23/2.27sq<br>AWG #16/#14 | INSULATION DIA<br>被覆外径 | 3/3.8 mm φ |
|-----------------------|----------------------------|------------------------|------------|

|   |                       |                  |                  |
|---|-----------------------|------------------|------------------|
| THIS DRAWING IS A CONTROLLED DOCUMENT FOR AMP INCORPORATED. IT IS SUBJECT TO CHANGE AND THE CONTROLLING ENGINEERING ORGANIZATION SHOULD BE CONTACTED FOR THE LATEST REVISION. |                       | DWN              | 26/JUN/'97       |
| DIMENSIONS:<br>単位 寸<br>mm   |                       | CHK              | K.IKEDA          |
| TOLERANCES UNLESS OTHERWISE SPECIFIED   |                       | APVD             | 27/JUN/'97       |
| 一般公差  |                       |                  | N.MATSUBARA      |
| 1Q : ±0.3   |                       |                  | I.HASEGAWA       |
| 3Q : >10 : ±0.35  |                       | PRODUCT SPEC     | 108-5453         |
| 10Q : >30 : ±0.4  |                       | APPLICATION SPEC | 114-5206         |
| ANGLE : ±3'   |                       | WEIGHT           | 1.7g             |
| MATERIAL<br>材料  | 銅合金<br>(COPPER ALLOY) | FINISH<br>仕上     | SEE TABLE<br>表参照 |

|  |           |  |                 |
|--|-----------|--|-----------------|
| tyco<br>Electronics  |           | Tyco Electronics AMP K.K.<br>Kawasaki, Japan |                 |
| NAME<br>名称   |           |  |                 |
| TAB CONTACT "S" SIZE<br>タブコンタクト "S" サイズ<br><DYNAMIC D-5000 SERIES> |           |  |                 |
| SIZE   | CAGE CODE | DRAWING NO<br>番号                             |                 |
| A3   | 00779     | C= 917804                                    |                 |
| CUSTOMER DRAWING   |           | SCALE<br>尺度                                  | SHEET<br>1 OF 1 |
|  |           | 4-1  | REV 01          |

## X-ON Electronics

Largest Supplier of Electrical and Electronic Components

*Click to view similar products for [Headers & Wire Housings](#) category:*

*Click to view products by [TE Connectivity](#) manufacturer:*

Other Similar products are found below :

[892-18-020-10-001101](#) [58102-G61-06LF](#) [582553-1](#) [0009485154](#) [009176003701906](#) [0050291907](#) [LY20-4P-DT1-P1E-BR](#) [02.125.8002.8](#)  
[609-3404](#) [61062-3](#) [61082-181009](#) [622-3653LF](#) [63453-116](#) [636-1030](#) [636-1427](#) [636-3427](#) [636-4007](#) [641938-9](#) [641991-4](#) [644827-2](#) [65817-010LF](#) [65817-015LF](#) [65863-015LF](#) [66207-023LF](#) [67095-007LF](#) [67601157](#) [68645-018](#) [68648-049](#) [70.362.1628.0](#) [70-4210](#) [70-4226B](#) [70-4853B](#) [707-5020](#) [707-5028](#) [71.350.2428.0](#) [71918-208LF](#) [71961-016LF](#) [733-134](#) [733-162](#) [754199-000](#) [760-3052](#) [787-8014-00](#) [79531-3000](#)  
[FCN-360C032-B](#) [FCN-367T-T012/H](#) [FCN-723D010/2](#) [80.063.4001.1](#) [800-90-001-10-001000](#) [800-90-010-10-002000](#) [801-43-002-10-013000](#)