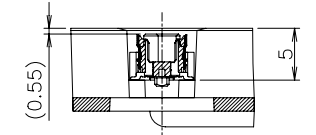
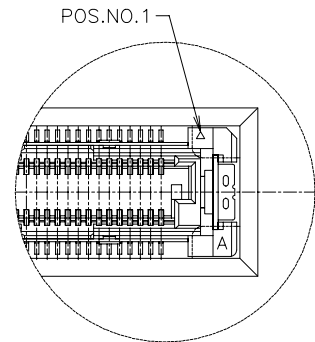
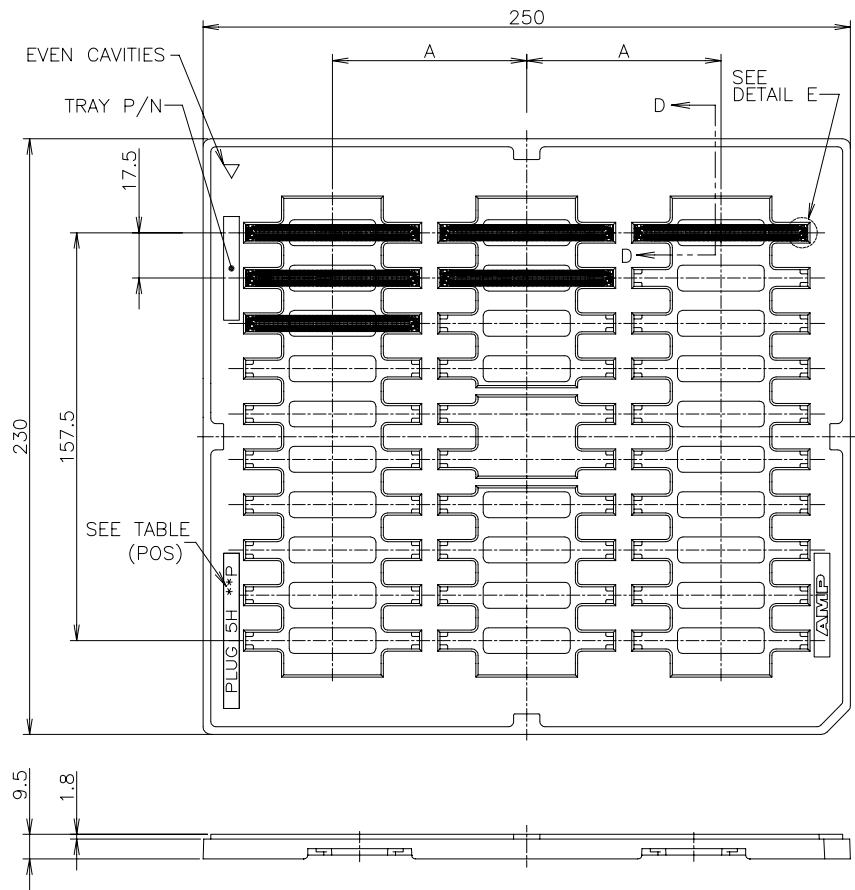


REVISIONS					
P	LTR	DESCRIPTION	DATE	DWN	APVD
D1		REVISED PER ECN-21-102735	21APR2021	A.L	H.L



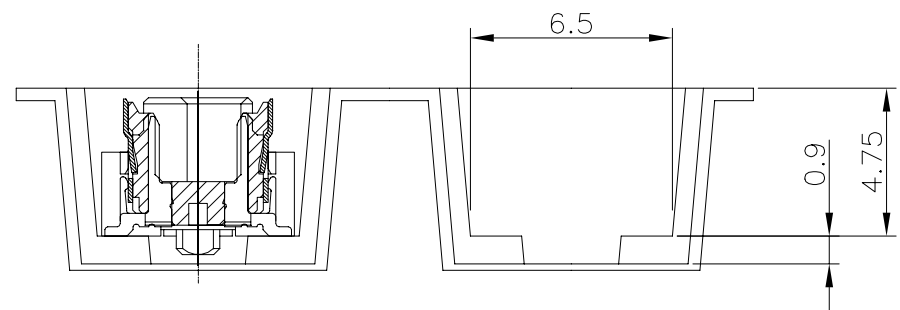
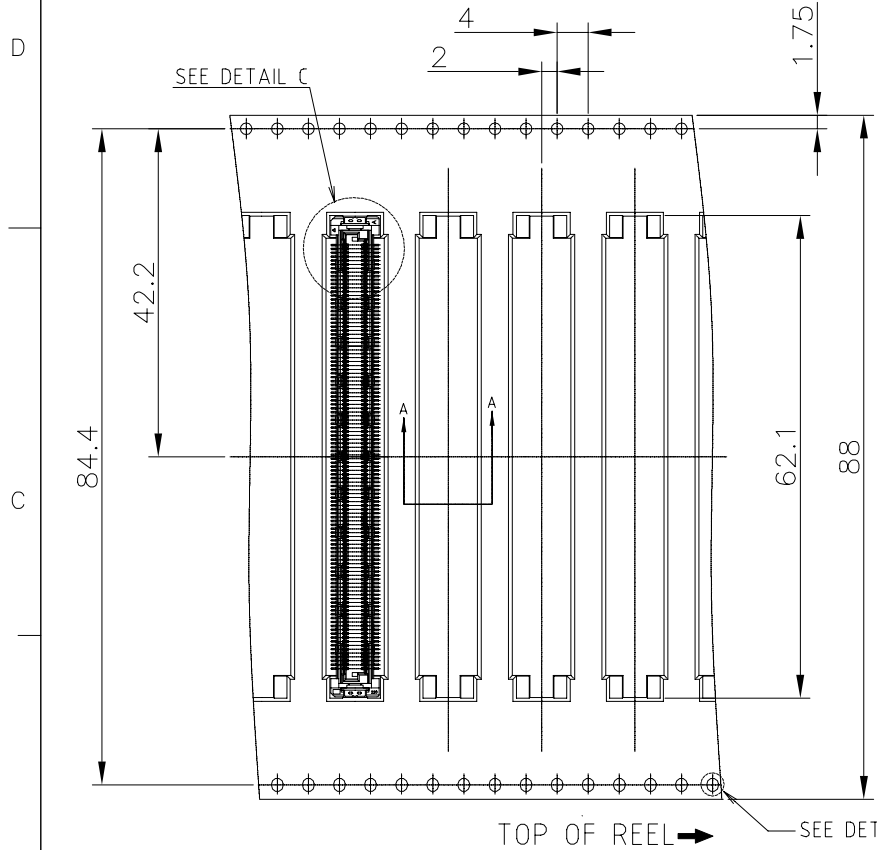
**WITHOUT
CAP**

THIS DRAWING IS A CONTROLLED DOCUMENT.

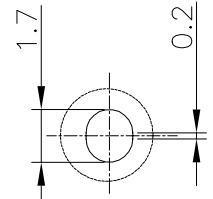
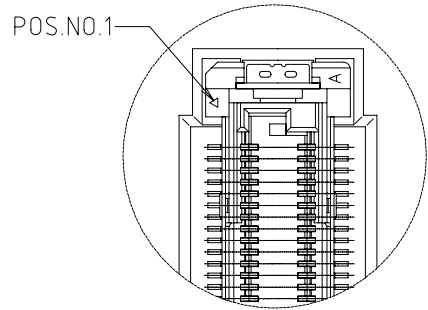
DIMENSIONS: MM		TOLERANCES UNLESS OTHERWISE SPECIFIED:	
		0 PLC	± 0.25
		1 PLC	± 0.15
		2 PLC	± 0.10
		3 PLC	± 0.05
		4 PLC	± 0.0250
		ANGLES	± 3'
MATERIAL		FINISH	

DWN S. CHIEN 18MAY05	TE Connectivity Ltd.				
CHK T. FUTATSUGI 18MAY05	HARD TRAY PACKAGING				
APVD W. KODAMA 18MAY05	FH 0.5 BTB CONNECTOR 220POS				
PRODUCT SPEC 108-5560	PLUG 5H WITH GROUND PLATE				
APPLICATION SPEC	SIZE A3	CAGE CODE 00779	DRAWING NO C=1827253	RESTRICTED TO	
WEIGHT	CUSTOMER DRAWING		SCALE 1:2	SHEET 1 OF 5	REV D1

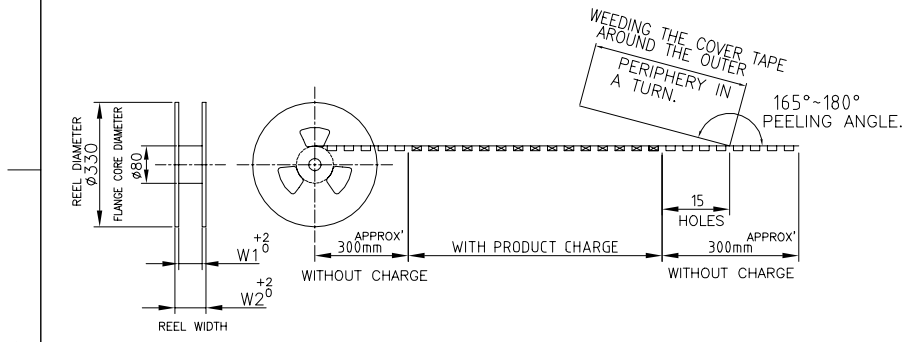
REVISIONS						
P	LTR	DESCRIPTION	DATE	DWN	APVD	
-	-	SEE SHEET 1	-	-	-	-



SECTION A-A
SCALE 4:1



DETAIL C
(SCALE 4:1)



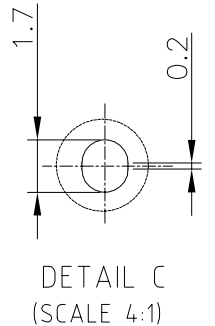
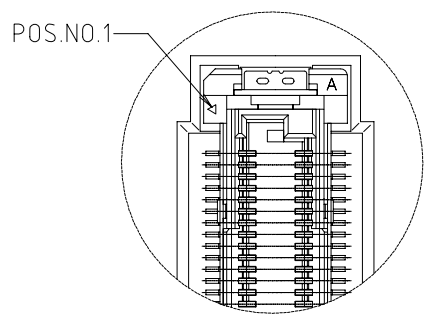
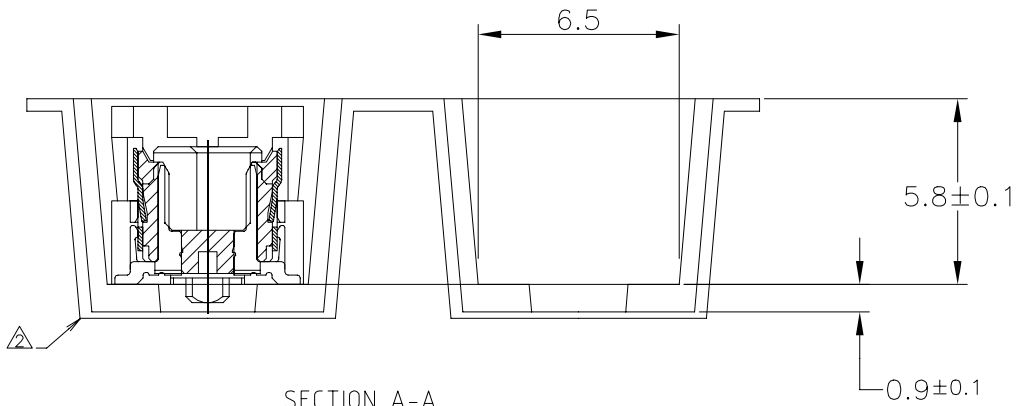
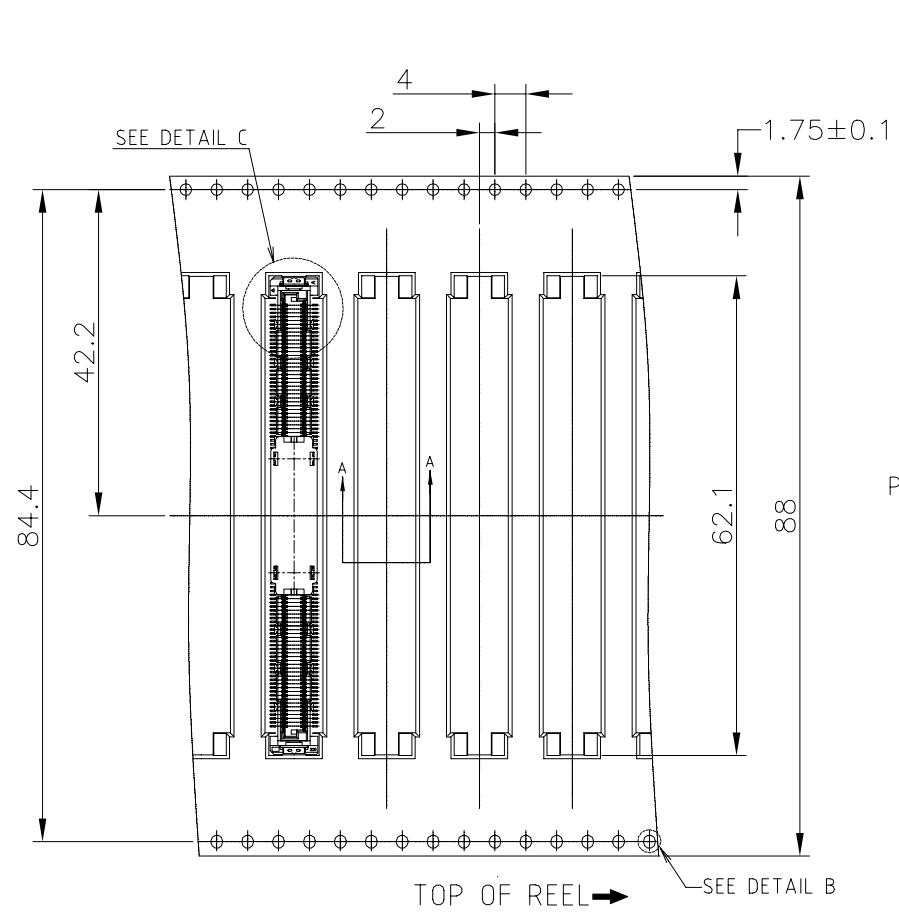
WITHOUT CAP

△	NO	93.5	89.5	800	220	9-1827253-7
△	NO	93.5	89.5	800	220	4-1827253-6
FINISH	SEALANT SIF-200B	W2	W1	QTY/ REEL	POS	TAPING P/N

THIS DRAWING IS A CONTROLLED DOCUMENT.

DWN	S. CHIEN	18MAY05	TE Connectivity Ltd. ON TAPING EMBOSS FH 0.5 BTB CONNECTOR 220POS PLUG 5H WITH GROUND PLATE	RESTRICTED TO		
CHK	T. FUTATSUGI	18MAY05				
APVD	W. KODAMA	18MAY05				
PRODUCT SPEC						
APPLICATION SPEC			SIZE	CAGE CODE	DRAWING NO	
WEIGHT			A3	00779	C=1827253	
CUSTOMER DRAWING			SCALE	1:2	SHEET	2 OF 5
					REV	D1

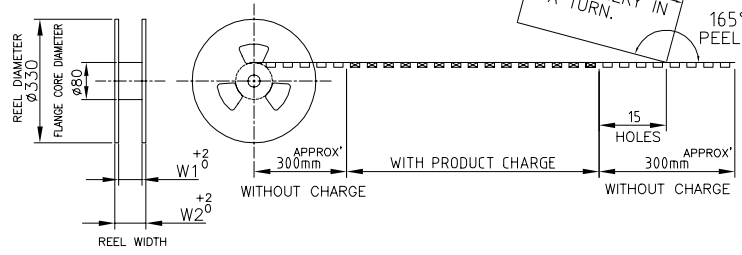
REVISIONS					
P	LTR	DESCRIPTION	DATE	DWN	APVD
-	-	SEE SHEET 1	-	-	-



WITH CAP

△	BLACK	NO	93.5	89.5	700	220	9-1827253-9
△	NATURE	NO	93.5	89.5	700	220	9-1827253-8
△	NATURE	NO	93.5	89.5	700	220	4-1827253-8
FINISH	CAP COLOR	SEALANT SIF-200B	W2	W1	QTY/ REEL	POS	TAPING P/N

WEEDING THE COVER TAPE AROUND THE OUTER PERIPHERY IN A TURN.
165°~180° PEELING ANGLE.



THIS DRAWING IS A CONTROLLED DOCUMENT.

DWN	S. CHIEN	18MAY05
CHK	T. FUTATSUGI	18MAY05
APVD	W. KODAMA	18MAY05
PRODUCT SPEC		
APPLICATION SPEC		
WEIGHT		
CUSTOMER DRAWING		

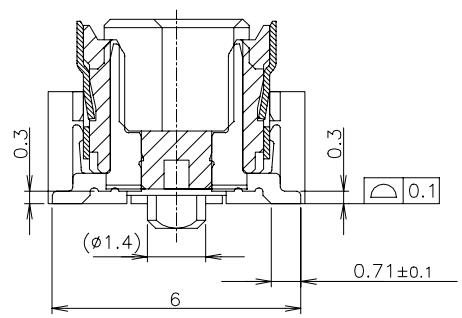
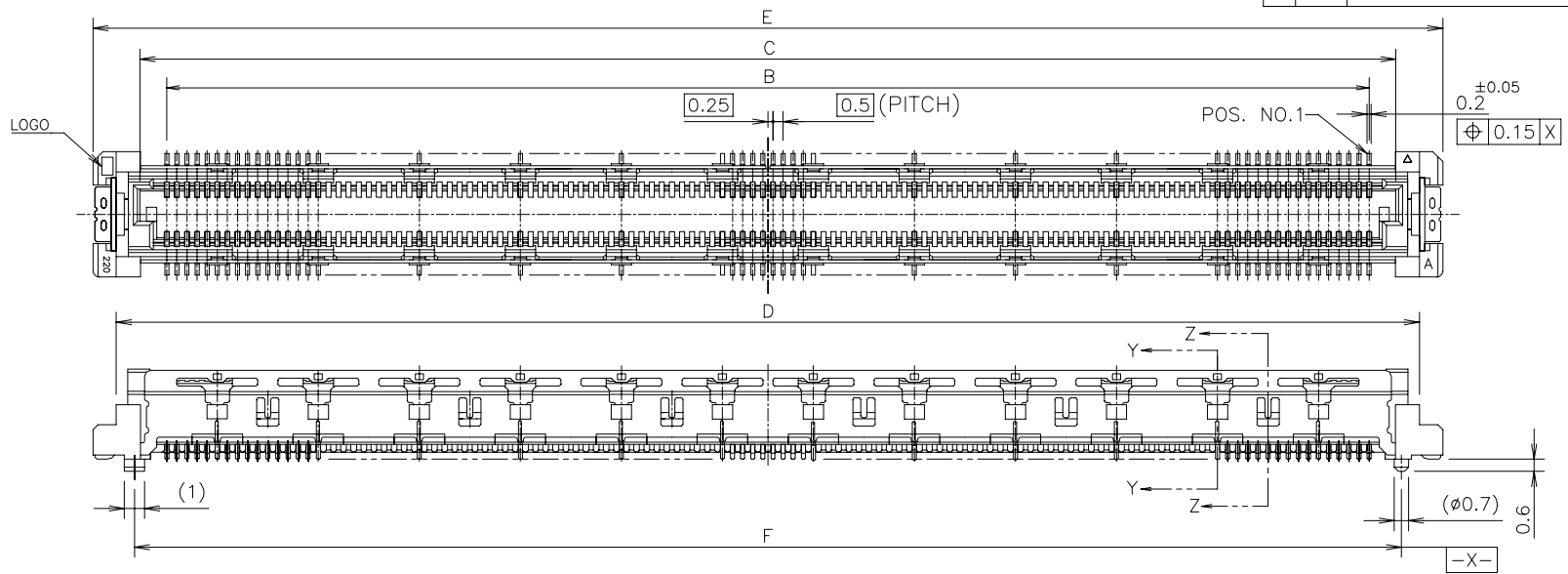
TE Connectivity Ltd.

ON TAPING EMBOSS
FH 0.5 BTB CONNECTOR 220POS
PLUG 5H WITH GROUND PLATE

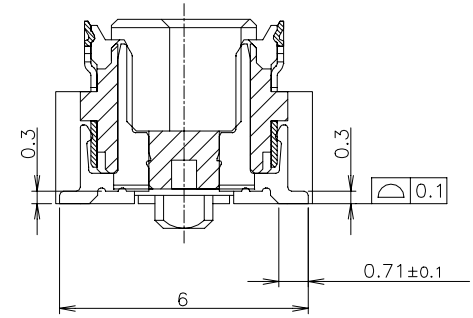
SIZE	CAGE CODE	DRAWING NO	RESTRICTED TO
A3	00779	C=1827253	-

SCALE 1:2 SHEET 3 OF 5 REV D1

REVISIONS					
P	LTR	DESCRIPTION	DATE	DWN	APVD
-	-	SEE SHEET 1	-	-	-



SECT. Z-Z
(SIGNAL POSITION)
(SCALE 8:1)



SECT. Y-Y
(GROUND POSITION)
(SCALE 8:1)

57.7	61.8	59.5	57.1	54.5	BLACK	220	9-1827253-9
57.7	61.8	59.5	57.1	54.5	BLACK	220	9-1827253-8
57.7	61.8	59.5	57.1	54.5	BLACK	220	9-1827253-7
57.7	61.8	59.5	57.1	54.5	BLACK	220	9-1827253-6
57.7	61.8	59.5	57.1	54.5	BLACK	220	4-1827253-8
57.7	61.8	59.5	57.1	54.5	BLACK	220	4-1827253-6
57.7	61.8	59.5	57.1	54.5	BLACK	220	3-1827253-6
F	E	D	C	B	CONN. COLOR	POS.	PART NO.

THIS DRAWING IS A CONTROLLED DOCUMENT.		DWN	TE Connectivity Ltd.	
DIMENSIONS: MM		CHK		
TOLERANCES UNLESS OTHERWISE SPECIFIED:		APVD	NAME ASSEMBLY FH 0.5 BTB CONNECTOR 220POS PLUG 5H WITH GROUND PLATE	
0 PLC ± 0.25 1 PLC ± 0.15 2 PLC ± 0.10 3 PLC ± 0.05 4 PLC ± 0.0250 ANGLES ± 3°		PRODUCT SPEC		
MATERIAL		APVD	SIZE A3	
FINISH		PRODUCT SPEC		
		APPLICATION SPEC	CAGE CODE 00779	
		WEIGHT		
		APPLICATION SPEC	DRAWING NO C=1827253	
		WEIGHT		
		WEIGHT	RESTRICTED TO	
		WEIGHT		
		WEIGHT	SCALE 4:1 SHEET 4 OF 5 REV D1	
		WEIGHT		
		WEIGHT	CUSTOMER DRAWING	
		WEIGHT		

X-ON Electronics

Largest Supplier of Electrical and Electronic Components

Click to view similar products for [Board to Board & Mezzanine Connectors](#) category:

Click to view products by [TE Connectivity](#) manufacturer:

Other Similar products are found below :

[589158040000018](#) [MDF7C-18P-2.54DSA\(55\)](#) [FCN-230C068-11](#) [FCN-268F012-G/BD](#) [FCN-268F036-G/BD](#) [FCN-268M012-G/0D](#) [FCN-268M024-G/1D](#) [FCN-723J004/1](#) [MIS-048-01-F-D-DP-K](#) [832-10-034-10-001000](#) [FX4C-80S-1.27DSA](#) [FCN-214Q030-G/0](#) [FCN-234P048-G/0](#) [FCN-235D050-G/C](#) [210-93-314-41-105000](#) [2-22603-0](#) [MDF7-40DP-2.54DSA\(55\)](#) [AXG720047](#) [5031084030](#) [MIT-114-03-F-D-K](#) [55323-1519](#) [DF33-2P-3.3DSA\(24\)](#) [YFT-20-05-H-03-SB-K](#) [503308-3040](#) [026-6203-PDB](#) [027-6203-PDB](#) [069159702701000](#) [10123981-102LF](#) [101A10019X](#) [55650-0588-C](#) [68682-310LF](#) [68684-306](#) [75140-7012](#) [87471-650](#) [194261-1](#) [FCN-268F024-G0D](#) [10124054-515LF](#) [68685-603](#) [8-1616154-3](#) [MIS-019-01-F-D](#) [541371078](#) [IL-WX-10PB-HF-B-E1000E](#) [FCN-268M024-G/3D](#) [20021832-06016C1LF](#) [KX15-20KLDL-E1000E](#) [MDF7-16DP-2.54DSA\(55\)](#) [AXE810124](#) [FCN-214J100-G/0](#) [FCN-230C068-E/S](#) [AXE812124](#)