

91910-1 ✓ ACTIVE

AMP

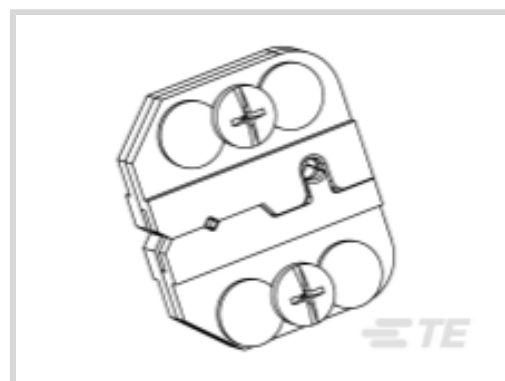
TE Internal #: 91910-1

Portable Crimp Tools, Commercial Crimp Tooling, Removable  
/Interchangeable, Die Assembly

[View on TE.com >](#)



Application Tooling > Portable Crimp Tools



Tool Grade: **Commercial Crimp Tooling**

Die Sets Type: **Removable/Interchangeable**

TE Certification: **Cannot be Certified**

Tooling Type: **Die Assembly**

## Features

### Other

Crimp Form-Wire Barrel Type	Closed Barrel - COAX
Tool Grade	Commercial Crimp Tooling
Die Sets Type	Removable/Interchangeable
TE Certification	Cannot be Certified
Tooling Type	Die Assembly

## Product Compliance

[For compliance documentation, visit the product page on TE.com>](#)

EU RoHS Directive 2011/65/EU	Out of Scope
EU ELV Directive 2000/53/EC	Out of Scope
China RoHS 2 Directive MIIT Order No 32, 2016	Not reviewed for China RoHS compliance
EU REACH Regulation (EC) No. 1907/2006	Current ECHA Candidate List: JAN 2021 (211) Candidate List Declared Against: JAN 2021 (211) Does not contain REACH SVHC
Halogen Content	Not Yet Reviewed for halogen content
Solder Process Capability	Not applicable for solder process capability

### Product Compliance Disclaimer

This information is provided based on reasonable inquiry of our suppliers and represents our current actual knowledge based on the information they provided. This information is subject to change. The part numbers that TE has identified as

EU RoHS compliant have a maximum concentration of 0.1% by weight in homogenous materials for lead, hexavalent chromium, mercury, PBB, PBDE, DBP, BBP, DEHP, DIBP, and 0.01% for cadmium, or qualify for an exemption to these limits as defined in the Annexes of Directive 2011/65/EU (RoHS2). Finished electrical and electronic equipment products will be CE marked as required by Directive 2011/65/EU. Components may not be CE marked. Additionally, the part numbers that TE has identified as EU ELV compliant have a maximum concentration of 0.1% by weight in homogenous materials for lead, hexavalent chromium, and mercury, and 0.01% for cadmium, or qualify for an exemption to these limits as defined in the Annexes of Directive 2000/53/EC (ELV). Regarding the REACH Regulation, the information TE provides on SVHC in articles for this part number is based on the latest European Chemicals Agency (ECHA) 'Guidance on requirements for substances in articles' posted at this URL: <https://echa.europa.eu/guidance-documents/guidance-on-reach>

## Compatible Parts



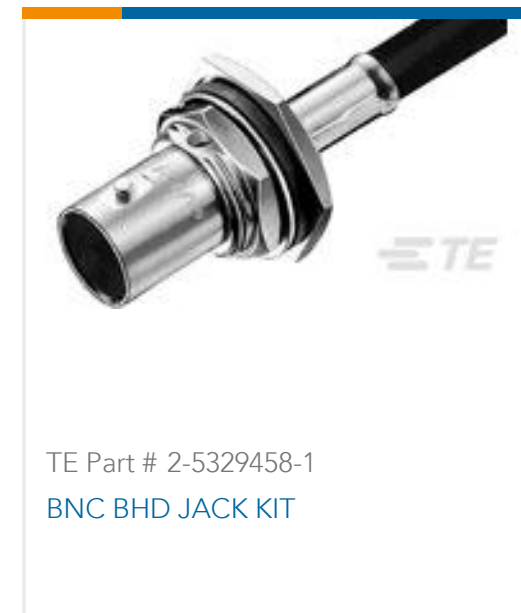
TE Part # CAT-076-BNCPK2GMG  
BNC RF Connector: Plug Kit, Straight, 2 GHz, Military Grade



TE Part # 2-330058-1  
BNC PLUG KIT POLYPROP



TE Part # CAT-076-BNCJK4GMG  
BNC RF Connector Jack Kit, 50 Ohm, 4 Ghz, Military Grade



TE Part # 2-5329458-1  
BNC BHD JACK KIT



TE Part # 2-329458-1  
BNC BHD JACK KIT



TE Part # 331178  
BNC PLUG RT ANG CRIMPABLE TEF

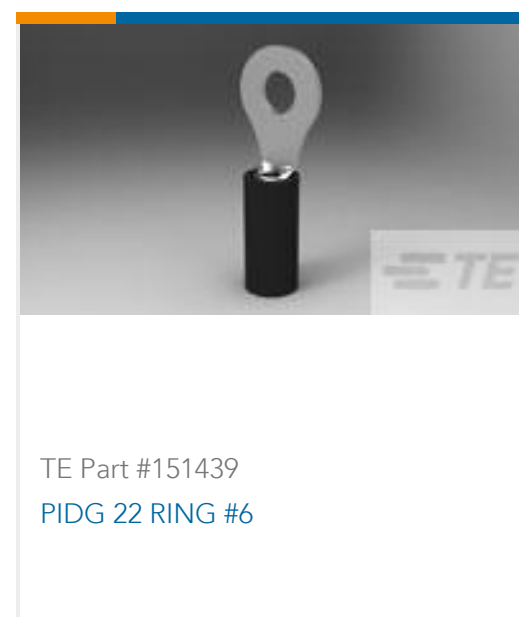
## Customers Also Bought



TE Part #487545-5  
008 HOUSING FFC RCPT 050CL SR



TE Part #354940-1  
PRO-CRIMPER III FRAME W/O DIES



TE Part #151439  
PIDG 22 RING #6



TE Part #YDTS26Z13-35PAV001  
PLUG ASSY



TE Part #450705-000  
S02-03-R



TE Part #204695-000  
55A0131-26-9/93/96CS2275



TE Part #5053042176  
RNF-100-3/16-BK-STK



TE Part #5052994173  
RNF-100-1/8-BK-SP



## Documents

### Datasheets & Catalog Pages

[1-1773865-2\\_1015\\_Commercial Manual Hand Tools](#)

English

---

### Instruction Sheets

[Instruction Sheet \(U.S.\)](#)

English

## X-ON Electronics

Largest Supplier of Electrical and Electronic Components

*Click to view similar products for [Punches & Dies](#) category:*

*Click to view products by [TE Connectivity](#) manufacturer:*

Other Similar products are found below :

[58510-1](#) [63454-1601](#) [63457-0056](#) [63457-3401](#) [730-5/8](#) [730BB-1-3/8](#) [PV-670508-001](#) [1328](#) [1338](#) [13782656](#) [13782673](#) [13782686](#) [AR-24](#)  
[1528-TL](#) [1583609-1](#) [1720](#) [1762951-1](#) [2063500-2](#) [19031-0168](#) [AR-20](#) [CD5-8](#) [313336-3](#) [11-19-3122](#) [539663-1](#) [63446-2241](#) [TL-18](#)  
[0634451912](#) [1762674-1](#) [63454-0123](#) [68240-1](#) [68247-1](#) [734252](#) [313183-1](#) [PA2029](#) [119174-001](#) [23846-1](#) [11-40-5342](#) [68010-2](#) [690370015](#)  
[730BB-1-1/8](#) [730BB-1-1/16](#) [19032-0048](#) [63465-0023](#) [11-40-4438](#) [63457-0041](#) [2906252-01](#) [19032-0202](#) [11-11-0054](#) [11-11-0052](#) [19813-](#)  
[5041](#)