



Application Tooling > Portable Crimp Tools



Tool Grade: **Commercial Crimp Tooling**

Die Sets Type: **Removable/Interchangeable**

Specification Type: **TE Product Specification (108-)**

TE Certification: **Upon Request for Fee**

Power Technology Type: **Manual**

Features

Other

Tool Grade	Commercial Crimp Tooling
Die Sets Type	Removable/Interchangeable
Specification Type	TE Product Specification (108-)
TE Certification	Upon Request for Fee
Power Technology Type	Manual
Tooling Type	Die Assembly

Product Compliance

[For compliance documentation, visit the product page on TE.com>](#)

EU RoHS Directive 2011/65/EU	Out of Scope
EU ELV Directive 2000/53/EC	Out of Scope
China RoHS 2 Directive MIIT Order No 32, 2016	Not reviewed for China RoHS compliance
EU REACH Regulation (EC) No. 1907/2006	Current ECHA Candidate List: JAN 2021 (211) Candidate List Declared Against: JAN 2021 (211) Does not contain REACH SVHC
Halogen Content	Not Yet Reviewed for halogen content
Solder Process Capability	Not applicable for solder process capability



Product Compliance Disclaimer

This information is provided based on reasonable inquiry of our suppliers and represents our current actual knowledge based on the information they provided. This information is subject to change. The part numbers that TE has identified as EU RoHS compliant have a maximum concentration of 0.1% by weight in homogenous materials for lead, hexavalent chromium, mercury, PBB, PBDE, DBP, BBP, DEHP, DIBP, and 0.01% for cadmium, or qualify for an exemption to these limits as defined in the Annexes of Directive 2011/65/EU (RoHS2). Finished electrical and electronic equipment products will be CE marked as required by Directive 2011/65/EU. Components may not be CE marked. Additionally, the part numbers that TE has identified as EU ELV compliant have a maximum concentration of 0.1% by weight in homogenous materials for lead, hexavalent chromium, and mercury, and 0.01% for cadmium, or qualify for an exemption to these limits as defined in the Annexes of Directive 2000/53/EC (ELV). Regarding the REACH Regulation, the information TE provides on SVHC in articles for this part number is based on the latest European Chemicals Agency (ECHA) 'Guidance on requirements for substances in articles' posted at this URL: <https://echa.europa.eu/guidance-documents/guidance-on-reach>

Compatible Parts



TE Part # 2-330311-1
MIN THD PLUG KIT



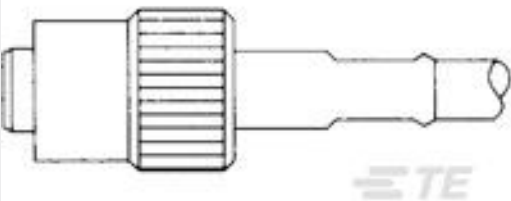
TE Part # 2-330312-1
MIN THD RECEPT KIT



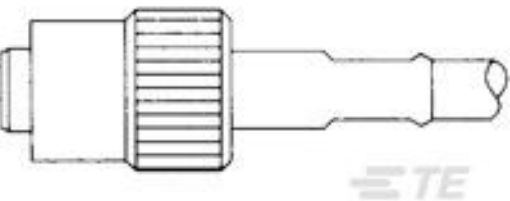
TE Part # 2-330311-2
MIN THD PLUG KIT



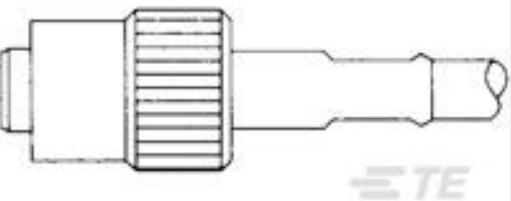
TE Part # 2-330312-2
MINIATURE THREADED RECEPTACLES



TE Part # 2-330311-3
PLUG ASSEMBLY KIT, MIN THREADED



TE Part # 2-330311-6
PLUG ASSEMBLY KIT, MIN THREADED



TE Part # 2-330311-7
MIN THD PLUG KIT



TE Part # 2-330312-8
KIT, RECEPT, MIN THREADED

Customers Also Bought



TE Part #354940-1
PRO-CRIMPER III FRAME W/O DIES



TE Part #3-1879216-2
CPF0402 150K 0.1% 25PPM 1K RL



TE Part #1-2176308-6
RP 1E 0.1W 191K 0.1% 25PPM 5K RL



TE Part #832M1-0100
+/-100G AC 3-AXIS BOARD M ACCELEROMETER

Documents

Datasheets & Catalog Pages

[1-1773865-2_1015_Commercial Manual Hand Tools](#)

English

[Crimp Term Whitepaper-Use the Right Tool 1-1773953-1](#)



English

CRIMPING WHERE FORM MEETS FUNCTION

English

Bottoming Dies

English

Instruction Sheets

Instruction Sheet (U.S.)

English

X-ON Electronics

Largest Supplier of Electrical and Electronic Components

Click to view similar products for [Punches & Dies](#) category:

Click to view products by [TE Connectivity](#) manufacturer:

Other Similar products are found below :

[58510-1](#) [63454-1601](#) [63457-3401](#) [12139479](#) [1312G1](#) [1328](#) [13782673](#) [1583609-1](#) [1720](#) [1762951-1](#) [2063500-2](#) [19031-0168](#) [CD5-8](#)
[R285020212](#) [313336-3](#) [11-17-0086](#) [11-24-1109](#) [11-19-3122](#) [539663-1](#) [63446-2241](#) [TL-18](#) [0634451912](#) [1762674-1](#) [63454-0123](#) [68240-1](#)
[68247-1](#) [313183-1](#) [PA2029](#) [119174-001](#) [23846-1](#) [11-40-5342](#) [68010-2](#) [690370015](#) [730BB-1-1/16](#) [19032-0048](#) [63465-0023](#) [11-40-4438](#)
[63457-0041](#) [11-11-0054](#) [11-11-0052](#) [19813-5041](#) [19032-0201](#) [19813-5061](#) [19812-2011](#) [63444-1212](#) [11-18-5275](#) [63454-1905](#) [11-18-4796](#)
[63465-0031](#) [63457-0045](#)