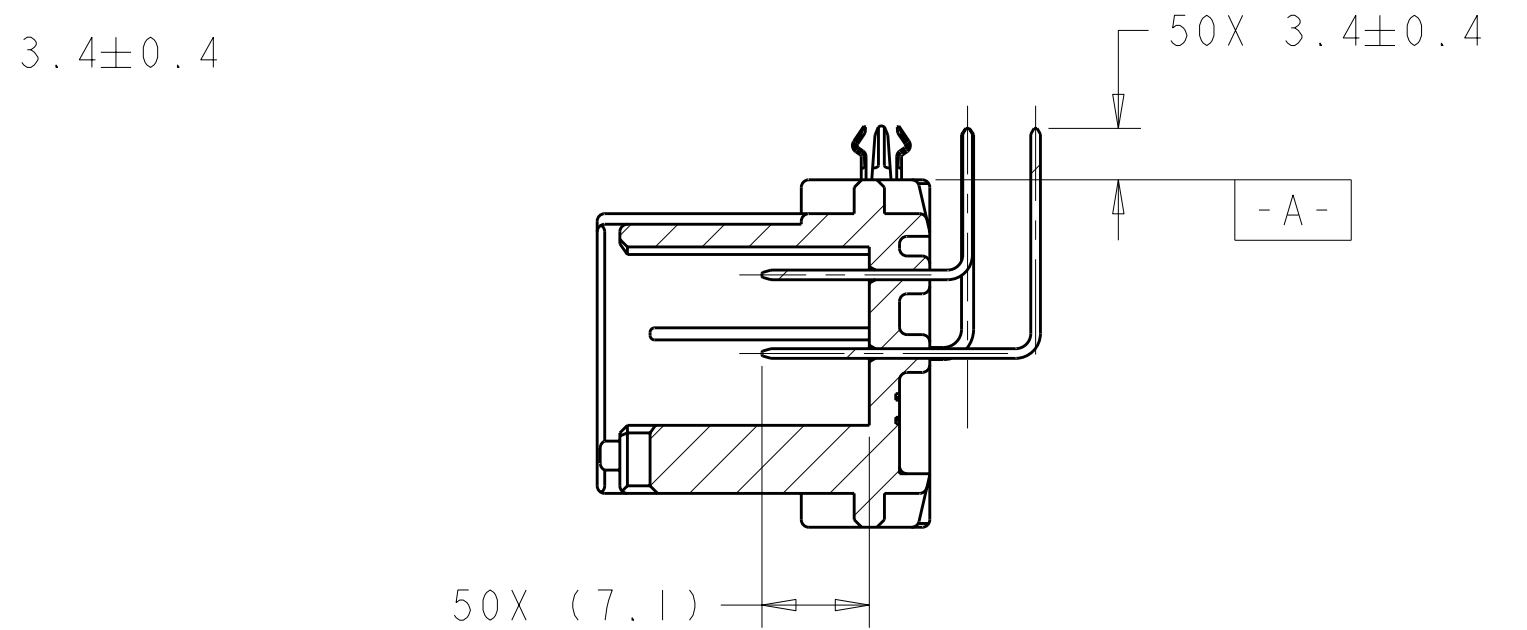
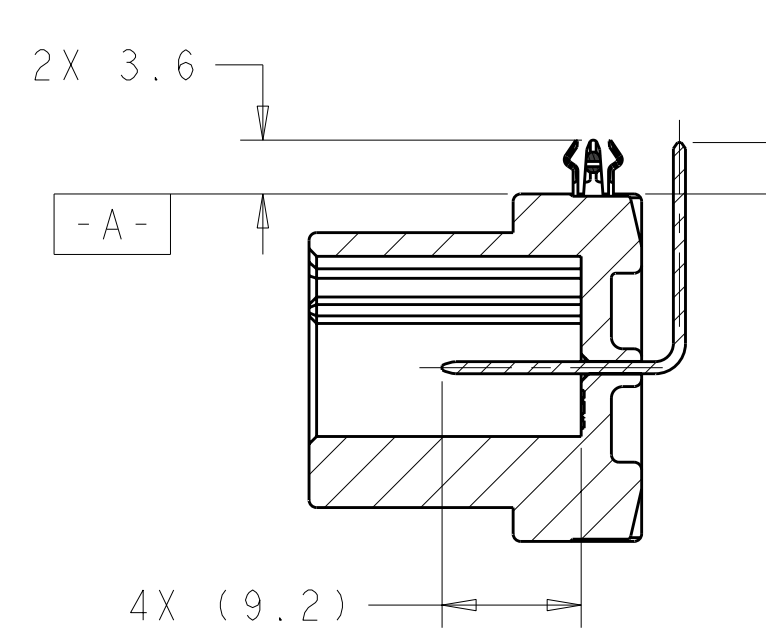
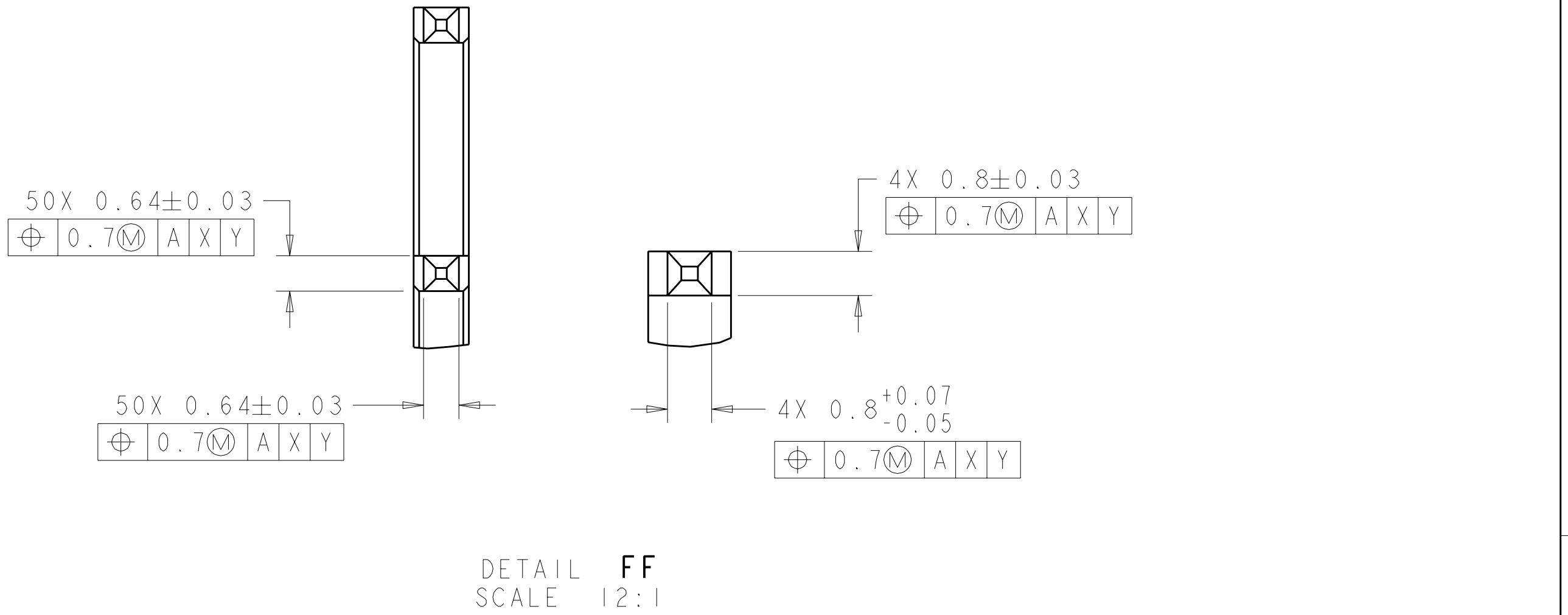
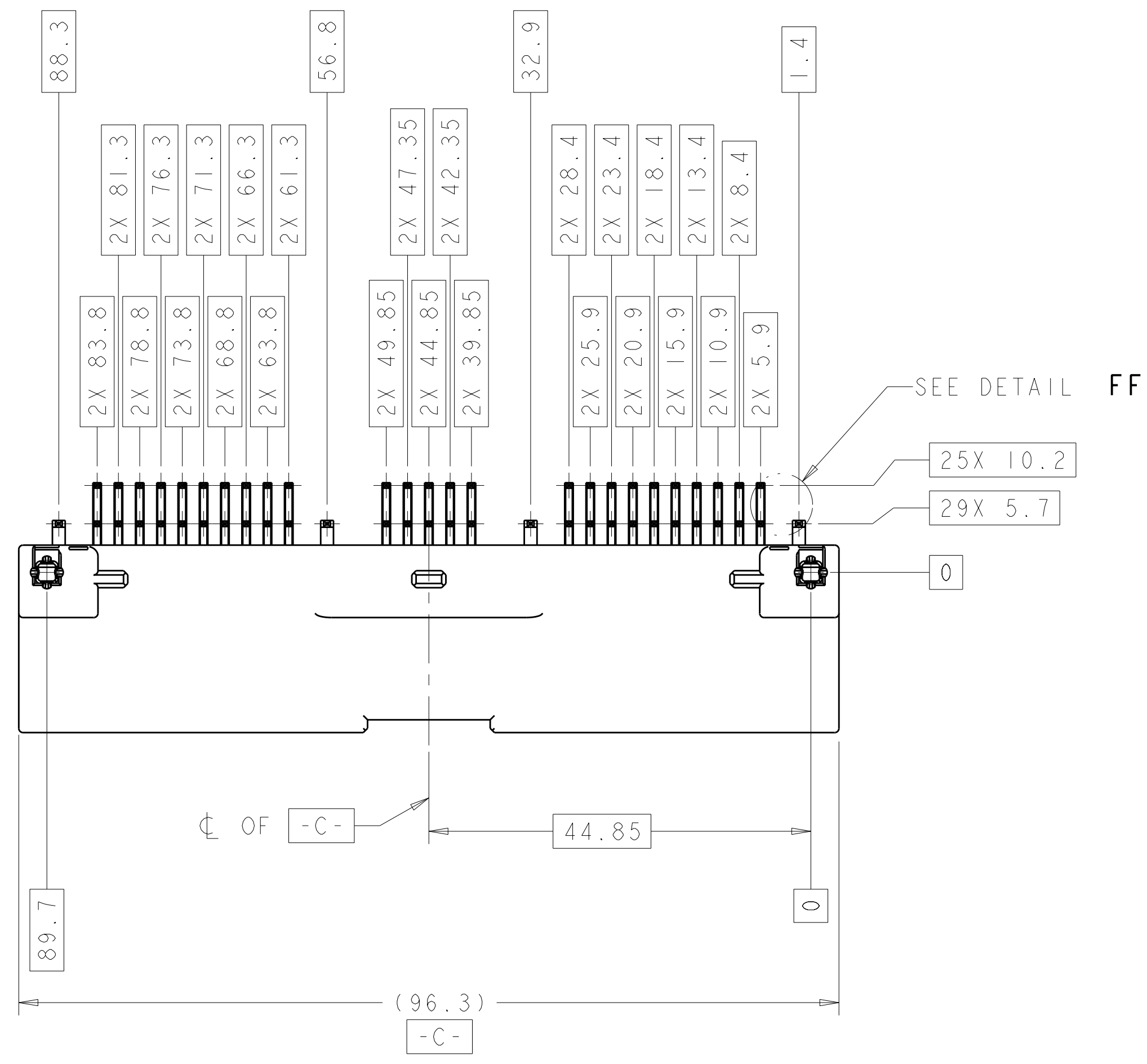
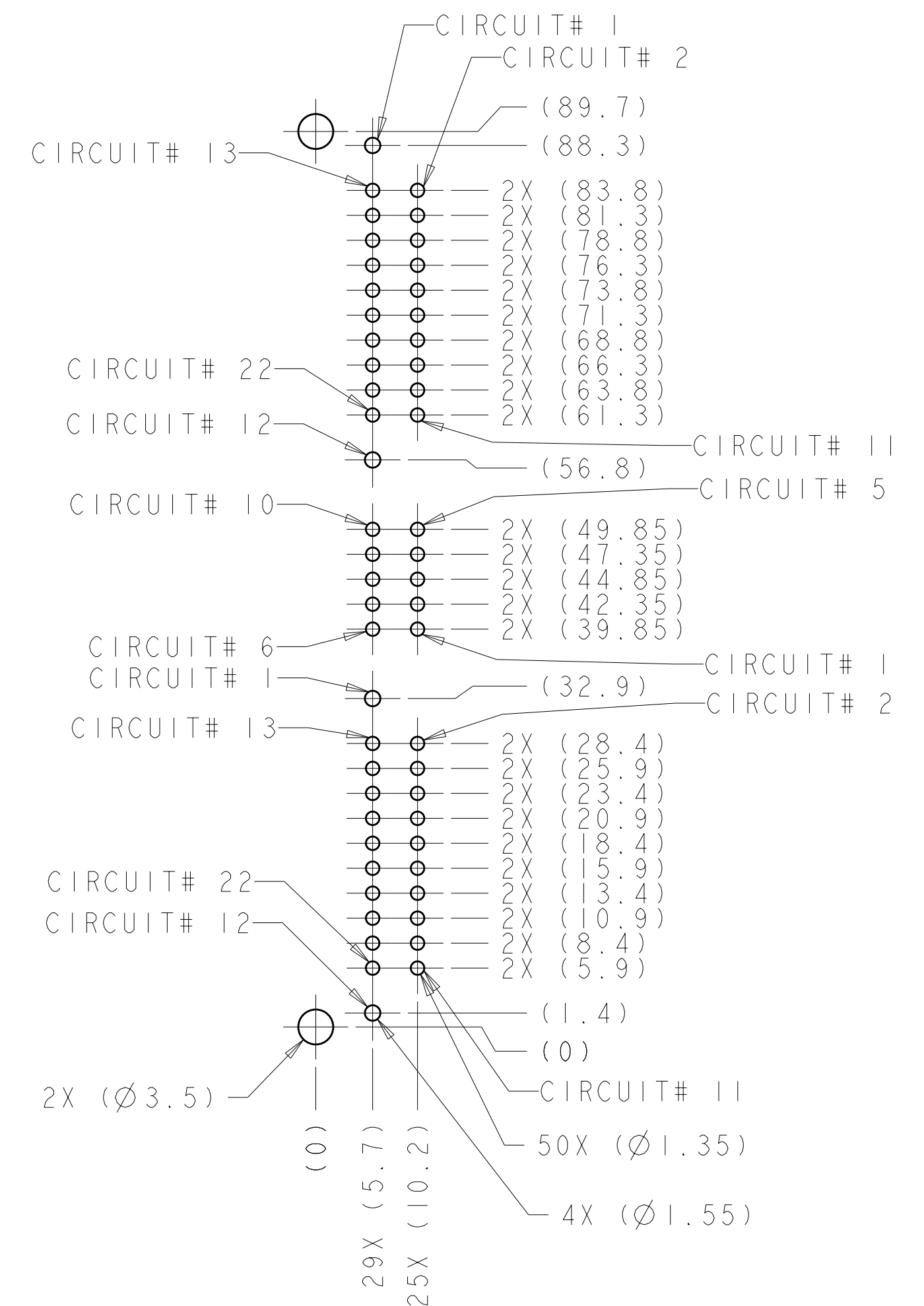
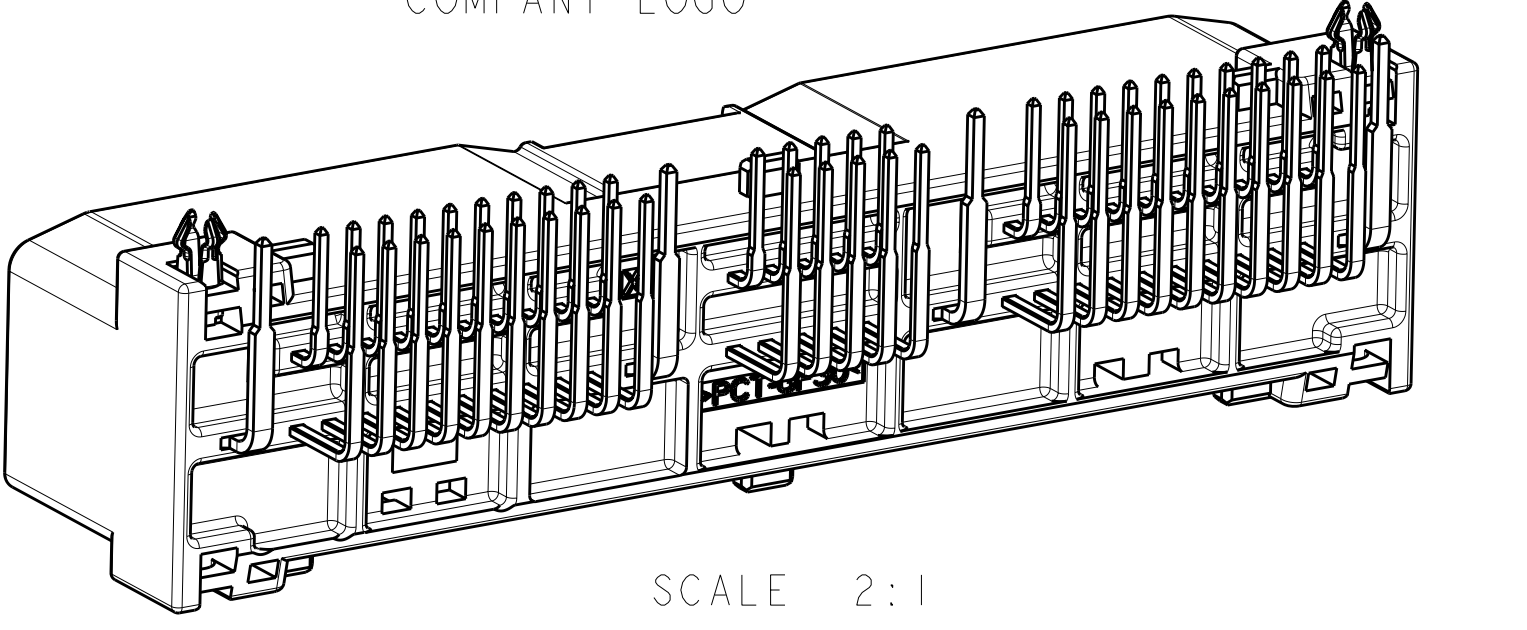
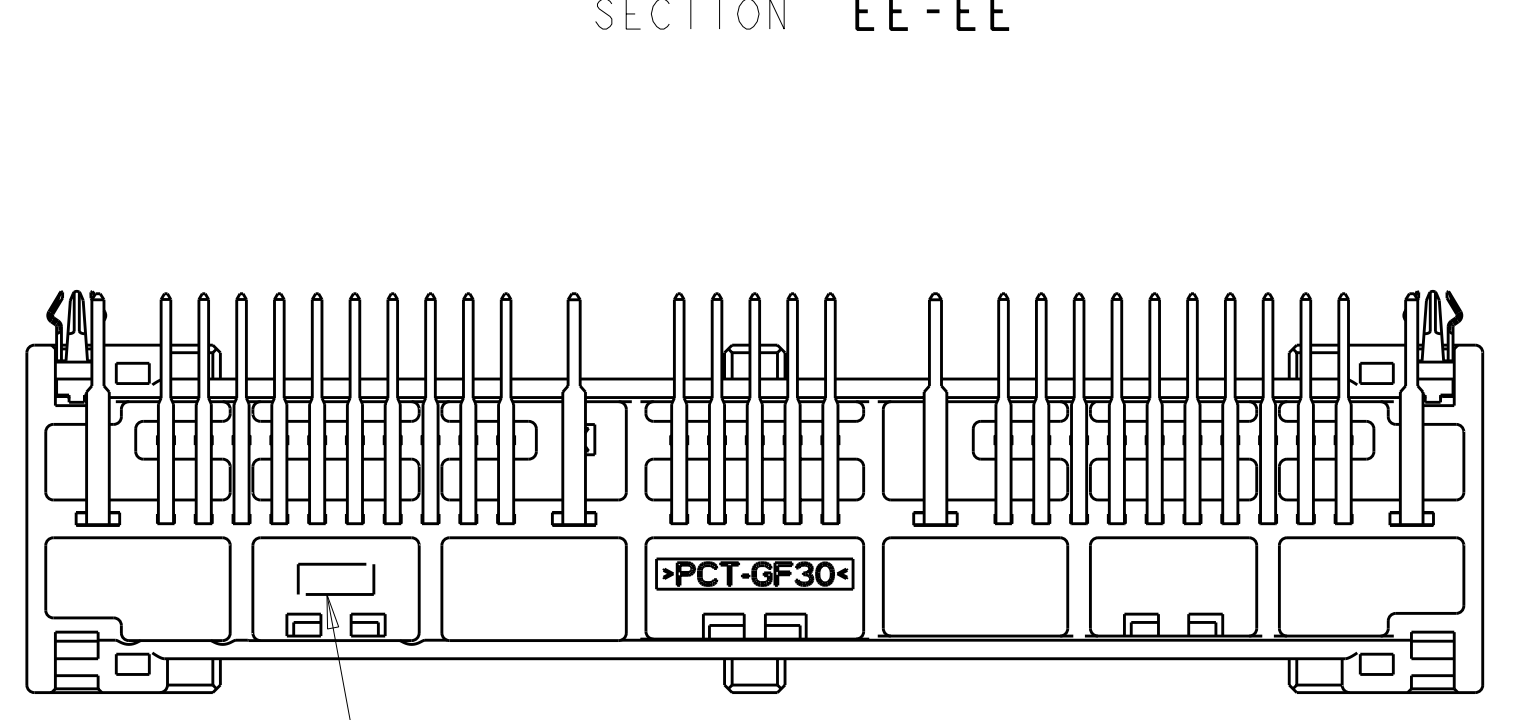
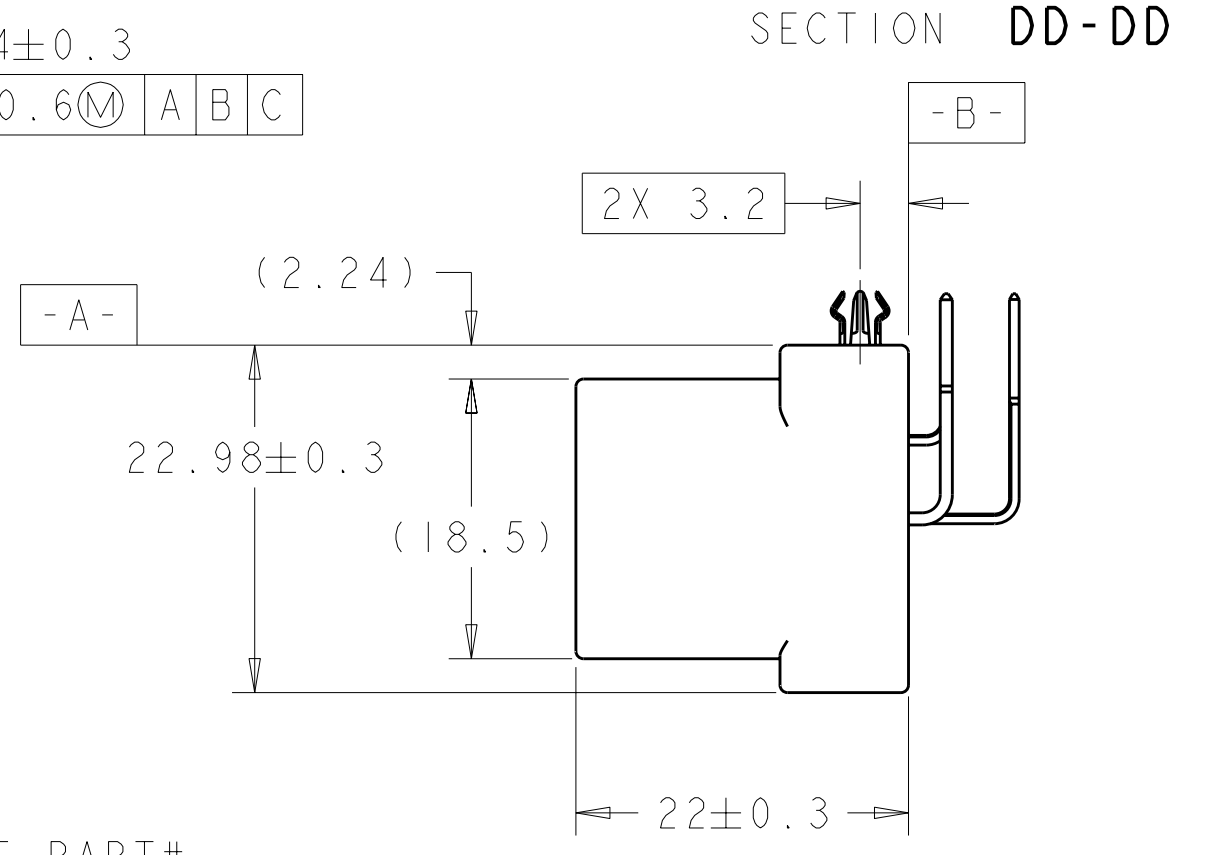
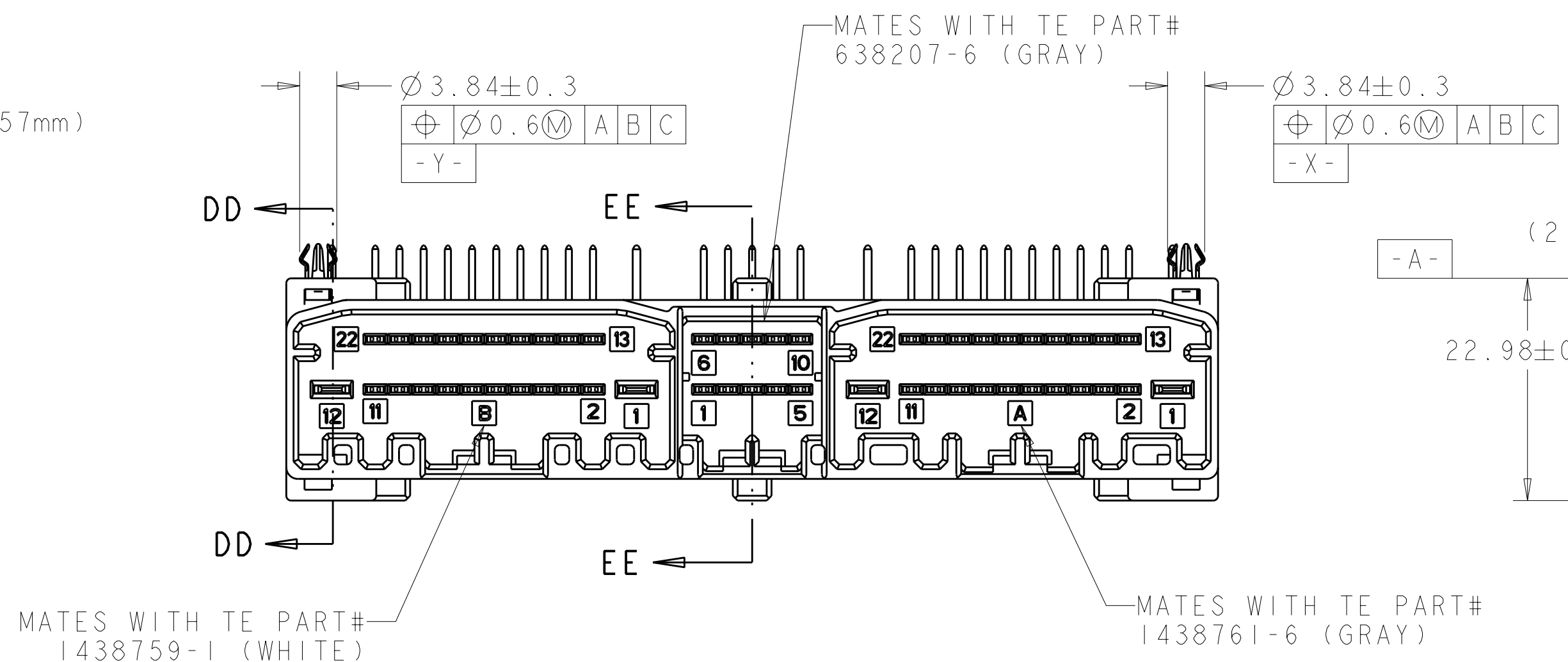


LOC	DIST	REVISIONS			
F	LTR	DESCRIPTION	DATE	DWN	APVD
A		RELEASED PER D06-167	31OCT2006	RGV	TN
A1		REVISED PER ECR-06-028413	06OCT2006	DLD	TN
A2		REV PER ECR-10-012887	17JUN2010	VSS	MB



PC BOARD LAYOUT
 CONNECTOR SIDE
 (RECOMMENDED BOARD THICKNESS 1.57mm)



NOTE(S):
 MARK DATE CODE IN APPROXIMATE LOCATION.

MATERIAL	FINISH	MATERIAL	FINISH	MATERIAL	COLOR	PART NUMBER
BRASS	PRE-TIN	BRASS	POST-TIN	PCT	GRAY	9-1924162-6
BOARDLOCK						PART NUMBER
CONTACT						
HOUSING						PART NUMBER
CUSTOMER DRAWING						

DIMENSIONS: mm 9 PLC ±0.3 1 PLC ±0.10 5 PLC ±0.10 4 PLC ±0.10 ANGLES ±1° MATERIAL SEE TABLE FINISH SEE TABLE	TOLERANCES UNLESS OTHERWISE SPECIFIED: 9 PLC ±0.3 1 PLC ±0.10 5 PLC ±0.10 4 PLC ±0.10 ANGLES ±1° MATERIAL SEE TABLE FINISH SEE TABLE	DWN: R. VESTAL 31OCT2006 CHK: T. NAKAYAMA 31OCT2006 APVD: T. NAKAYAMA 31OCT2006 PRODUCT SPEC: - APPLICATION SPEC: 114-13158 WEIGHT: - CUSTOMER DRAWING	Tyco Electronics Tyco Electronics Harrisburg, PA 17105-3608 NAME: 54 WAY HYBRID 040, 2.8 PINS UP CAP ASSEMBLY WITH BOARDLOCKS SIZE: A1 CAGE CODE: 00779 DRAWING NO: C=1924162 SCALE: 2:1 SHEET: 1 OF 1 REV: A2
--	---	--	---

X-ON Electronics

Largest Supplier of Electrical and Electronic Components

Click to view similar products for [Automotive Connectors](#) category:

Click to view products by [TE Connectivity](#) manufacturer:

Other Similar products are found below :

[003-018-000](#) [600858](#) [60403001](#) [60993906-B](#) [60993913-B](#) [629515004020001](#) [M902-2131](#) [M902-2161](#) [M902-2344](#) [72.330.1035.1](#)
[73.353.4028.0](#) [F118010](#) [F119300-B](#) [F132210](#) [F132210-B](#) [F166900](#) [F180100](#) [F258300](#) [F258300-B](#) [F294300-B](#) [F339100](#) [F339700](#) [F358300-](#)
[B](#) [F374110](#) [F407400](#) [F412210](#) [F427600](#) [F444110](#) [F487000](#) [F495100-B](#) [F500900-B](#) [F509500B-B](#) [770444-1](#) [776880-1](#) [827153-1](#) [881735-1](#)
[8N1515-32-24P](#) [9-1326729-8](#) [925467-1](#) [925474-1](#) [928905-1](#) [936398-2](#) [964562-1](#) [964562-4](#) [964731-2](#) [965051-1](#) [968782-1](#) [GT17SA-8DS-](#)
[HU](#) [GT17VS-10DP-5.2CF](#) [98315-0001](#)