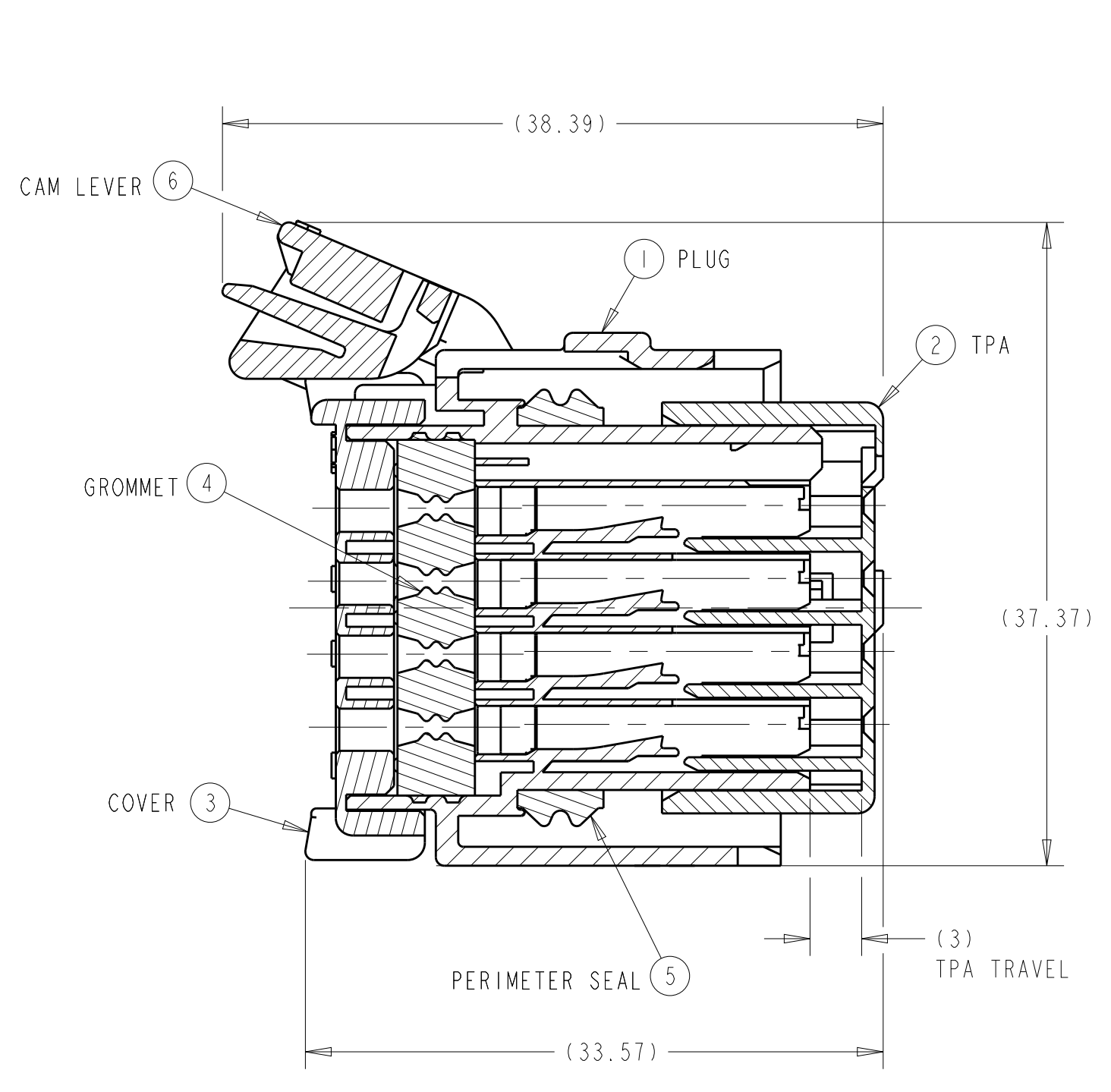
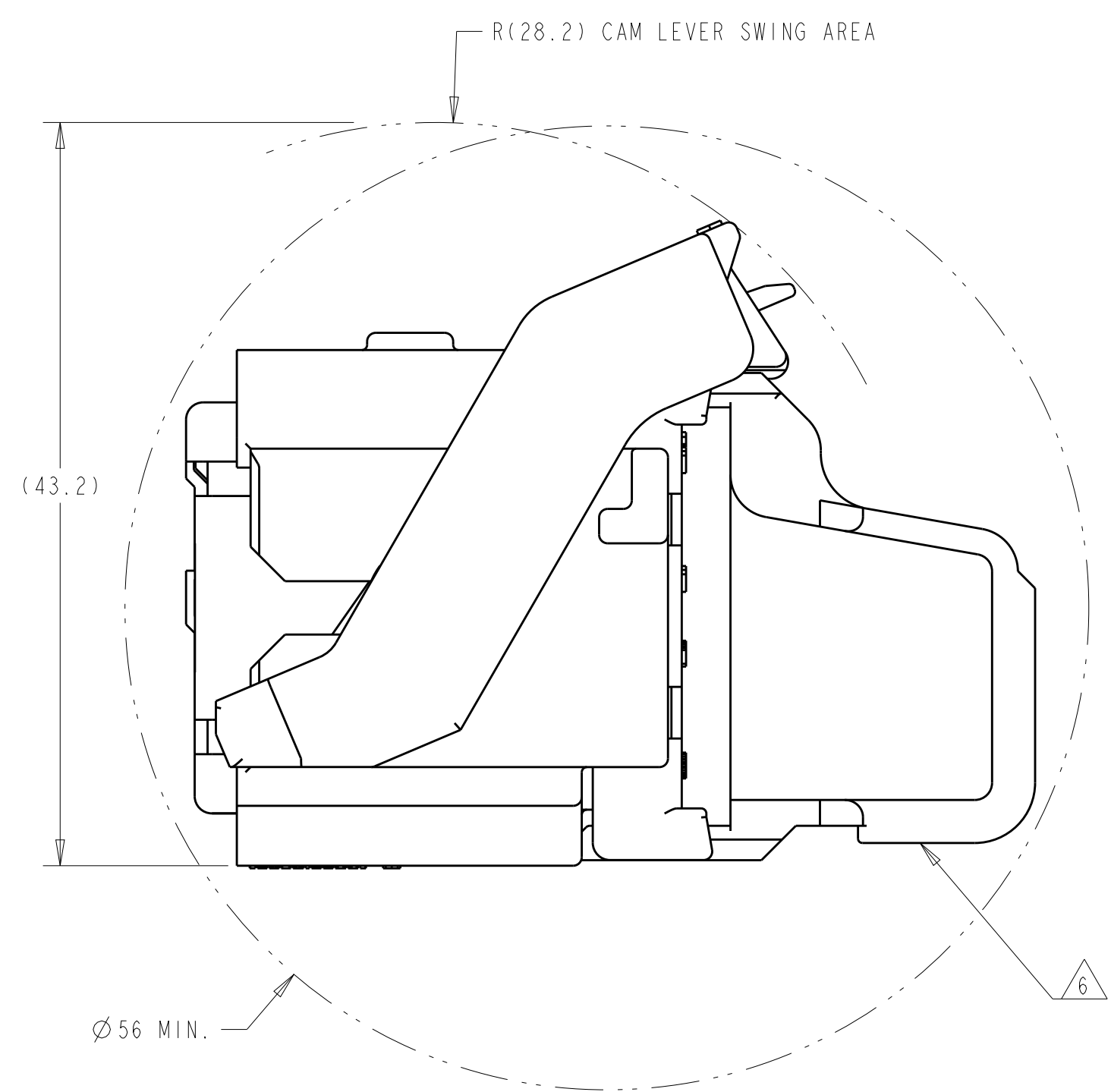
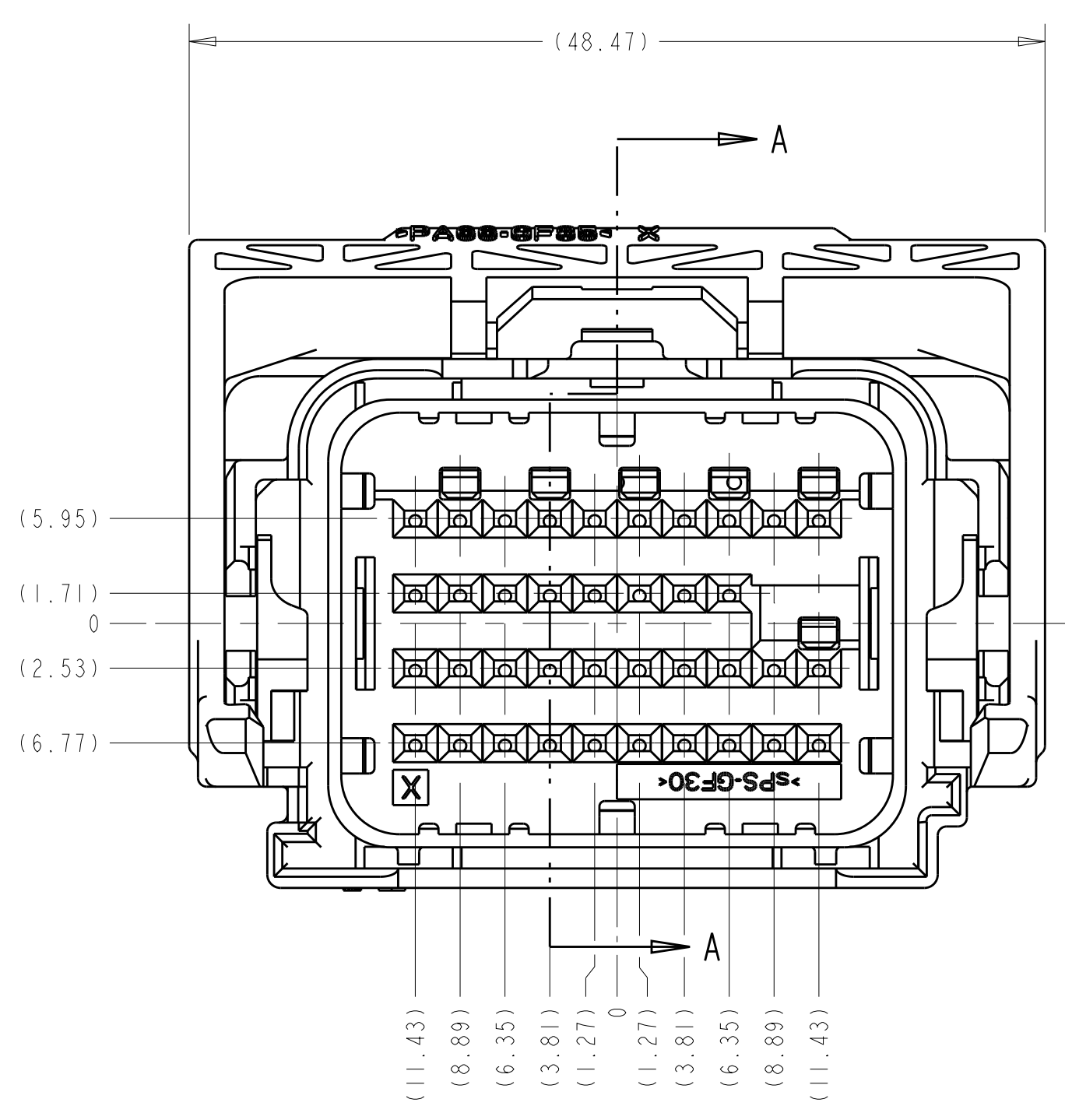


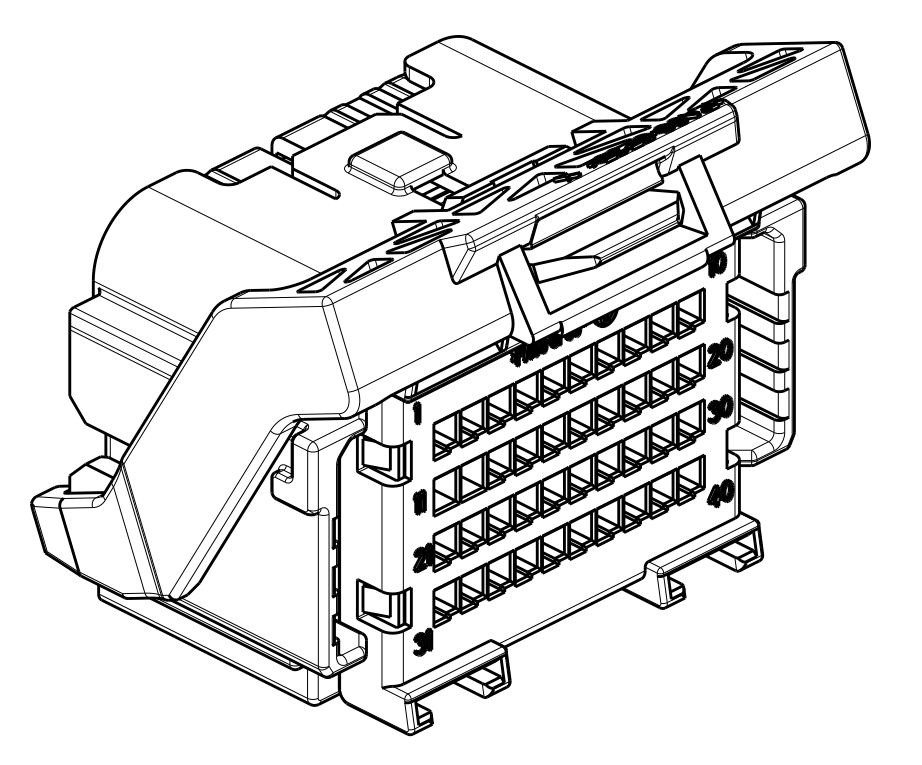
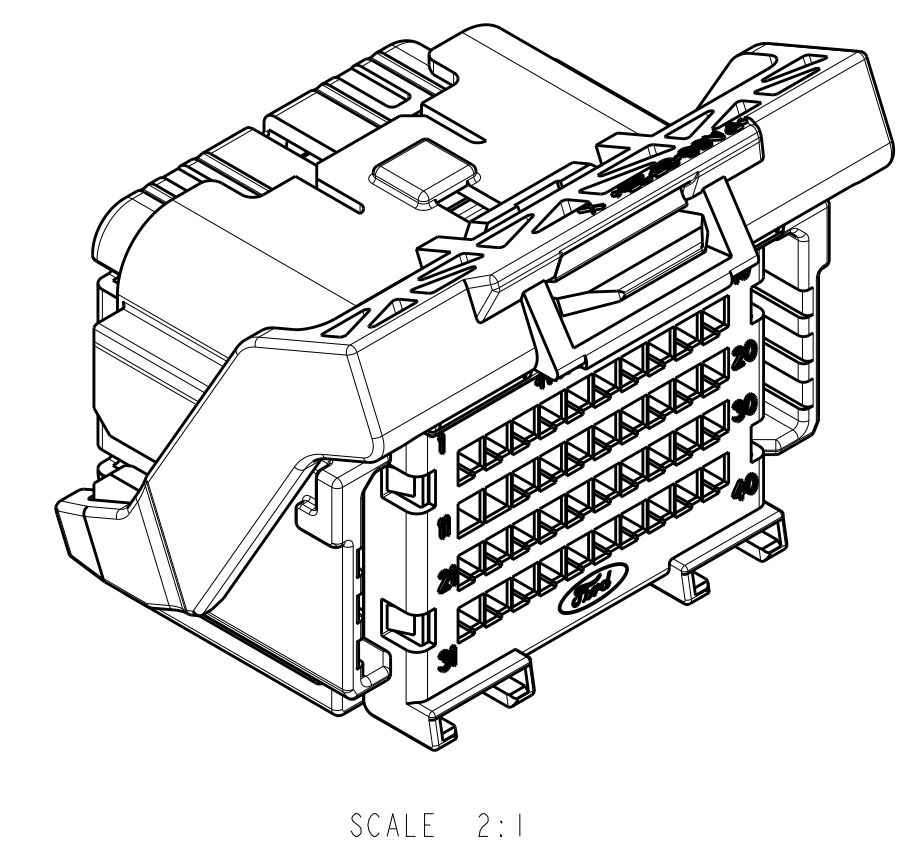
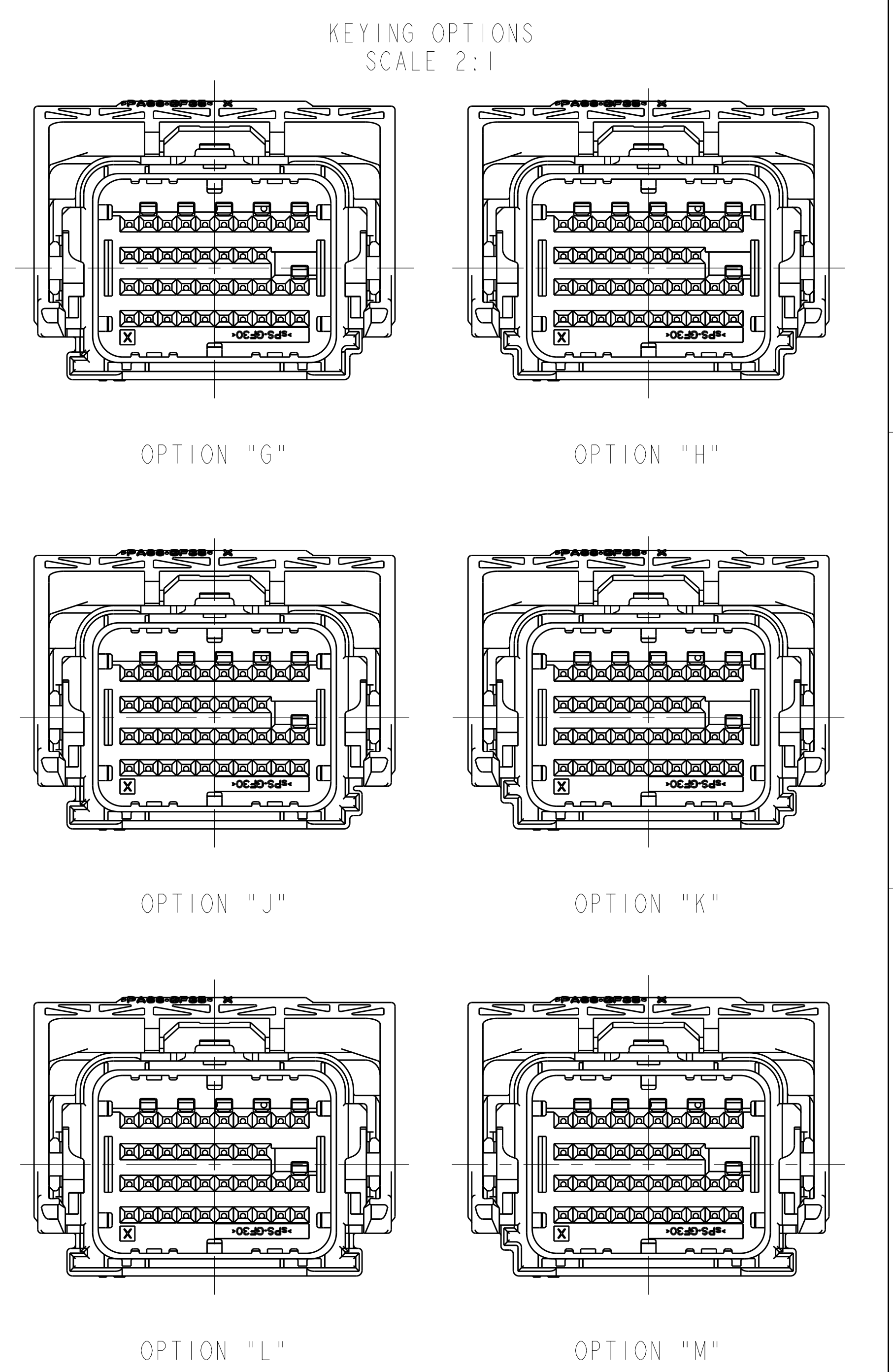
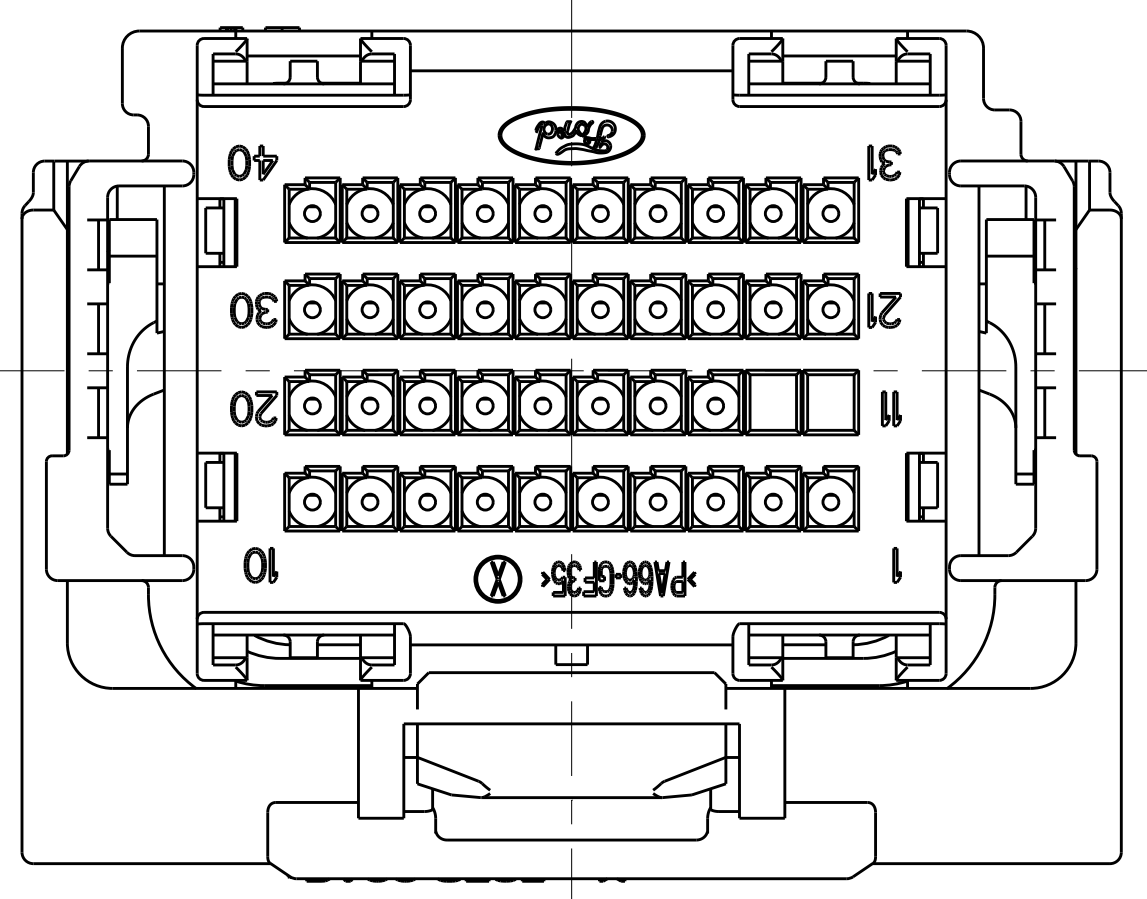
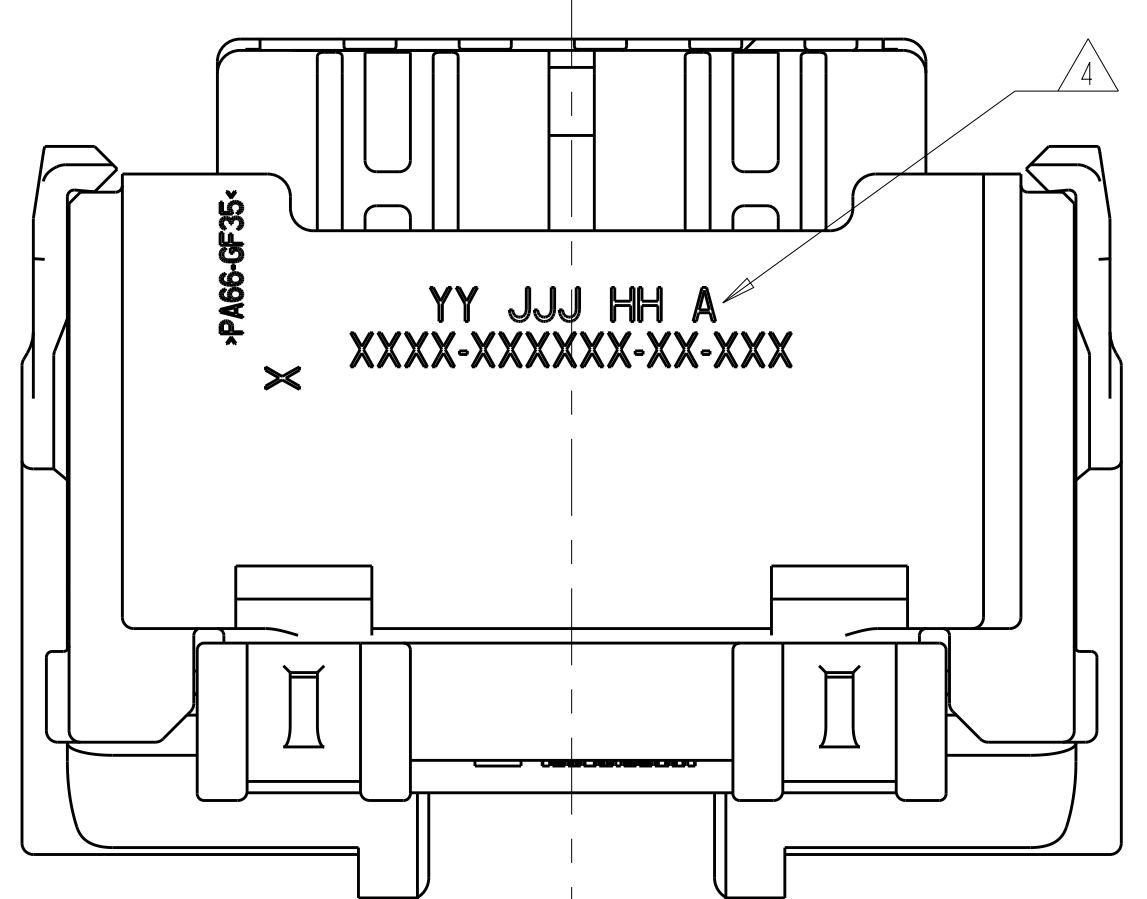
REVISIONS				
P	LTN	DESCRIPTION	DATE	OWN APVD
D1		REV PER ECO 08-006962	07JAN2008	DLD WTW
E		REVISED PER ECR 07-030366	08JAN2008	DLD WTW
F		REVISED PER ECO 08-006962	19MAR2008	DLD WTW
F1		REVISED PER ECO-20-012415	10SEP2020	AP WW



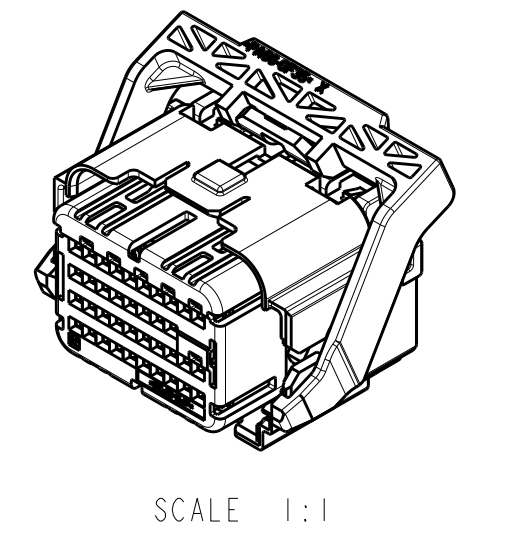
SECTION A-A
SHOWN WITH CAM LEVER
AND TPA IN THEIR
PRE-LOADED POSITIONS
(DELIVERY CONDITION)



MINIMUM FEED THROUGH CONDITION
WITH 1mm CLEARANCE ALL AROUND
SHOWN WITH OPTION WIRESHIELD
TPA IS IN IT'S LOADED POSITION
CAM LEVER IS IN IT'S PRE-LOADED POSITION



THIS VIEW SHOWS THE
MODIFIED CAM LEVER
SCALE 2:1



SCALE 1:1


- NOTE(S):
1. APPLICABLE TERMINAL PART NUMBERS (SOLD SEPARATELY):
FOR TIN APPLICATIONS: 1393367 AND 1393366.
FOR GOLD APPLICATIONS: 1393365 AND 1393364.
FOR TERMINATION AND REELING OPTIONS
SEE DRAWINGS 1393367, 1393366, 1393365, AND 1393364.
 2. COMPATIBLE WIRE SIZES FOR MAT SEAL DESIGN 1.19 TO 2.06 O.D.
(22-18 AWG, 0.35-0.75 mm²)
 3. TPA AND CAM LEVER ARE SHIPPED IN THEIR PRE-LOADED POSITION.
ALL ASSEMBLIES ARE TO BE TRAY PACKAGED.
 4. CUSTOMER PART NUMBER AND TRACEABILITY CODE (YY = TWO DIGIT YEAR,
JJJ = JULIAN DAY, HH = TWO DIGIT MILITARY HOUR, A=ASSEMBLY PROCESS
USED) ARE PRINTED IN THIS LOCATION.
 5. PART ASSEMBLY WEIGHT WITHOUT TERMINALS AND WITH STANDARD PIN-OUT
CONFIGURATION IS 26.09 GRAMS.
 6. OPTIONAL WIRESHIELD P/N 8-1419157-8 (SOLD SEPARATELY). PLEASE CONTACT
YOUR TYCO ELECTRONICS SALES REPRESENTATIVE FOR AVAILABILITY AND PRICING.
 7. OBSOLETE PART

KEYING OPTION "G" SHOWN
SEE SHEET 2 FOR BILL OF MATERIALS
AND SHEET 3, 4 AND 5 FOR PIN-OUT CHARTS

THIS DRAWING IS A CONTROLLED DOCUMENT.		OWN: A. HOLT 14NOV2006	
DIMENSIONS: mm		CHK: W. WELLSKY 14NOV2006	
TOLERANCES UNLESS OTHERWISE SPECIFIED:		APVD: W. WELLSKY 14NOV2006	NAME: 40 WAY SHORTING BAR ARM PLUG ASSEMBLY WITHOUT SHORTING BARS LOADED
0 PLC ± 1 PLC ±0.3 2 PLC ±0.10 3 PLC ± 4 PLC ± ANGLES ±		PRODUCT SPEC: -	
MATERIAL: SEE CHART ON SHEET 2		APPLICATION SPEC: -	SIZE: CAGE CODE DRAWING NO: 00779 ©=1924170
FINISH: -		WEIGHT: SEE NOTE 5	
CUSTOMER DRAWING		SCALE: 3:1	RESTRICTED TO: REV F1

REVISIONS				
P.	LTN	DESCRIPTION	DATE	APVD
-	-	SEE SHEET 1	-	-

PIN OUT CHART																																								ASSEMBLY PART NUMBER	KEYING OPTION									
BLANK CAVITIES INDICATE OPEN TERMINAL HOLE POSITIONS																																																		
CAVITIES WITH A NUMERIC SYMBOL INDICATE CLOSED TERMINAL HOLE POSITIONS																																																		
TERMINAL HOLE POSITION																																								ASSEMBLY PART NUMBER	KEYING OPTION									
1	2	3	4	5	6	7	8	9	10	11	12	13	14	15	16	17	18	19	20	21	22	23	24	25	26	27	28	29	30	31	32	33	34	35	36	37	38	39	40											
				5	6	7	8	9	10	11	12	13	14	15	16								24			27	28	29	30							35	36	37	37	39	40	6-1924170-6	G							
			3	4	5	6	7	8	9	10	11	12	13	14	15	16	17	18					23	24		26										35	36	37	37	39	40	6-1924170-7	G							
			3	4	5	6	7	8	9	10	11	12	13	14	15	16							24			27	28	29	30							35	36	37	37	39	40	6-1924170-8	G							
			3	4	5	6	7	8	9	10	11	12	13	14	15	16							24													35	36	37	37	39	40	6-1924170-9	G							
1	2			5	6	7	8	9	10	11	12	13	14	15	16						21	22				27	28	29	30									37	38	39	40	7-1924170-0	G							
				5	6	7	8	9	10	11	12	13	14	15	16								24				27	28	29	30							35	36	37	38	39	40	7-1924170-1	G						
1	2					7	8	9	10	11	12	13	14	15	16						21	22															35	36	37	38	39	40	7-1924170-2	G						
1	2					7	8	9	10	11	12	13	14	15	16						21	22					27	28	29	30							35	36	37	38	39	40	7-1924170-3	G						
										11	12																																	7-1924170-4	G					
1	2										11	12	13	14	15	16																												7-1924170-5	G					
												11	12																																7-1924170-6	G				
												11	12																																	7-1924170-7	G			
												11	12																																	7-1924170-8	G			
												11	12																																	7-1924170-9	G			
													11	12																																	8-1924170-0	G		
																																															8-1924170-1	G		
																																															8-1924170-2	G		
																																															8-1924170-3	G		
																																															8-1924170-4	G		
																																															8-1924170-5	G		
																																															8-1924170-6	G		
1	2																																														8-1924170-7	G		
1	2																																														8-1924170-8	G		
1	2	3	4																																												8-1924170-9	G		
1	2	3	4																																													9-1924170-0	G	
1	2	3	4	5	6	7	8	9	10	11	12	13	14	15	16																																	9-1924170-1	G	
																																																	9-1924170-2	G
																																																	9-1924170-3	G
																																																	9-1924170-4	G
																																																	9-1924170-5	G
1	2	3	4	5	6	7	8	9	10	11	12	13	14	15	16																																	9-1924170-6	G	
																																																	9-1924170-7	G
																																																	9-1924170-8	G
																																																	9-1924170-9	G
																																																	0-1924171-1	G
																																																	0-1924171-2	G
																																																	0-1924171-3	G
																																																	0-1924171-4	G
																																																	0-1924171-5	G
1	2	3	4	5	6	7	8	9	10	11	12	13	14	15	16																																	0-1924171-6	G	
																																																	0-1924171-7	G
																																																	0-1924171-8	G
1	2	3	4	5	6	7	8	9	10	11	12	13	14	15	16																																	0-1924171-9	G	
1	2	3	4	5	6	7	8	9	10	11	12	13	14	15	16																																		1-1924171-0	G

THIS DRAWING IS A CONTROLLED DOCUMENT.		DWN: A. HOLT 14NOV2006 CHK: W. WELLINSKY 14NOV2006 APVD: W. WELLINSKY 14NOV2006	 TE Connectivity
DIMENSIONS: mm	TOLERANCES UNLESS OTHERWISE SPECIFIED: 0 PLC ±0.3 1 PLC ±0.10 2 PLC ±0.10 3 PLC ±0.10 4 PLC ±0.10 ANGLES ±3° FINISH	NAME: 40 WAY SHORTING BAR ARM PLUG ASSEMBLY WITHOUT SHORTING BARS LOADED PRODUCT SPEC: APPLICATION SPEC: SIZE: CAGE CODE: DRAWING NO: 00779 ©=1924170 WEIGHT: SEE NOTE 5 CUSTOMER DRAWING	
MATERIAL: SEE CHART ON SHEET 2 FINISH:		RESTRICTED TO:	SCALE: 3:1 SHEET 4 OF 5 REV: F1

REVISIONS				
P.	LTN	DESCRIPTION	DATE	APVD
-	-	SEE SHEET 1	-	-

PIN OUT CHART																																								ASSEMBLY PART NUMBER	KEYING OPTION			
BLANK CAVITIES INDICATE OPEN TERMINAL HOLE POSITIONS																																												
CAVITIES WITH A NUMERIC SYMBOL INDICATE CLOSED TERMINAL HOLE POSITIONS																																												
TERMINAL HOLE POSITION																																								ASSEMBLY PART NUMBER	KEYING OPTION			
1	2	3	4	5	6	7	8	9	10	11	12	13	14	15	16	17	18	19	20	21	22	23	24	25	26	27	28	29	30	31	32	33	34	35	36	37	38	39	40					
											11	12																												0-1924172-1	G			
1	2	3	4	5	6	7	8	9	10	11	12	13	14	15	16	17	18			21	22							27	28	29	30					35	36	37	38	39	40	0-1924172-2	G	
			3	4	5	6	7	8	9	10	11	12	13	14	15	16																					35	36	37	38	39	40	0-1924172-3	G
							7	8	9	10	11	12	13	14	15	16																					35	36	37	38	39	40	0-1924172-4	G
							7	8	9	10	11	12																									35	36	37	38	39	40	0-1924172-5	G
1	2	3	4	5	6	7	8	9	10	11	12	13	14	15	16					21	22							27	28	29	30					35	36	37	38	39	40	0-1924172-6	G	
							7	8	9	10	11	12					17	18																			35	36	37	38	39	40	0-1924172-7	G
							7	8	9	10	11	12	13	14	15	16	17	18																			35	36	37	38	39	40	0-1924172-8	G
1	2	3	4	5	6	7	8	9	10	11	12	13	14	15	16					21	22							27	28	29	30					35	36	37	38	39	40	0-1924172-9	G	
							7	8	9	10	11	12																									35	36	37	38	39	40	1-1924172-0	G
							7	8	9	10	11	12	13	14	15	16																					35	36	37	38	39	40	1-1924172-1	G
1	2	3	4	5	6	7	8	9	10	11	12	13	14	15	16					19	20	21	22	23	24		26	27	28	29	30					35	36	37	38	39	40	1-1924172-2	G	
1	2					7	8	9	10	11	12						17	18			21	22														35	36	37	38	39	40	1-1924172-3	G	
			3	4	5	6					11	12																								35	36	37	38	39	40	1-1924172-4	G	
			3	4	5	6																														35	36	37	38	39	40	1-1924172-5	G	
			3	4	5	6					11	12																								35	36	37	38	39	40	1-1924172-6	G	

PIN OUT CHART																																								ASSEMBLY PART NUMBER	KEYING OPTION									
BLANK CAVITIES INDICATE OPEN TERMINAL HOLE POSITIONS																																																		
CAVITIES WITH A NUMERIC SYMBOL INDICATE CLOSED TERMINAL HOLE POSITIONS																																																		
TERMINAL HOLE POSITION																																								ASSEMBLY PART NUMBER	KEYING OPTION									
1	2	3	4	5	6	7	8	9	10	11	12	13	14	15	16	17	18	19	20	21	22	23	24	25	26	27	28	29	30	31	32	33	34	35	36	37	38	39	40											
											11	12																															0-1924173-1	H						
							7	8	9	10	11	12							19	20																								0-1924173-2	H					
					5	6	7	8	9	10	11	12	13	14	15	16			19	20				24																				0-1924173-3	H					
1	2	3	4						9	10	11	12	13	14	15	16					21	22																						0-1924173-4	H					
1	2	3	4	5	6	7	8	9	10	11	12	13	14	15	16					21	22	23	24	25	26	27	28	29	30	31	32	33	34										0-1924173-5	H						
									9	10	11	12																																	0-1924173-6	H				
							7	8	9	10	11	12																										35	36	37	38	39	40	0-1924173-7	H					
							7	8	9	10	11	12																																	0-1924173-8	H				
1	2	3	4	5	6	7	8	9	10	11	12	13	14	15	16					20	21	22																						0-1924173-9	H					
1	2	3	4	5	6	7	8	9	10	11	12	13	14	15	16					21	22																								1-1924173-0	H				
1	2	3	4	5	6	7	8	9	10	11	12	13	14	15	16					21	22																								1-1924173-1	H				
1	2	3	4	5	6	7	8	9	10	11	12	13	14	15	16					21	22																								1-1924173-2	H				
									9	10	11	12					17	18	19	20	21	22																									1-1924173-3	H		
1	2					7	8	9	10	11	12	13	14	15	16					21	22																									1-1924173-4	H			
1	2	3	4	5	6	7	8	9	10	11	12	13	14	15	16	17	18			21	22																									1-1924173-5	H			
1	2	3	4	5	6	7	8	9	10	11	12	13	14	15	16					21	22																									1-1924173-6	H			
1	2					7	8	9	10	11	12	13	14	15	16					21	22																										1-1924173-7	H		
1	2	3	4	5	6	7	8	9	10	11	12	13	14	15	16					21		23																									1-1924173-8	H		
			3	4	5	6					11	12																																				1-1924173-9	H	
			3	4	5	6					11	12																																				2-1924173-0	H	
			3	4	5	6					11	12																																					2-1924173-1	H

THIS DRAWING IS A CONTROLLED DOCUMENT.

DWN: A. HOLT 14NOV2006
 CHK: W. WELLINSKY 14NOV2006
 APVD: W. WELLINSKY 14NOV2006

DIMENSIONS: mm
 TOLERANCES UNLESS OTHERWISE SPECIFIED:
 0 PLC ±0.3
 1 PLC ±0.10
 2 PLC ±0.10
 3 PLC ±0.10
 4 PLC ±0.10
 ANGLES ±0.5°
 FINISH: -

MATERIAL: SEE CHART ON SHEET 2
 WEIGHT: SEE NOTE 5
 CUSTOMER DRAWING

STE TE Connectivity
 NAME: 40 WAY SHORTING BAR ARM PLUG ASSEMBLY WITHOUT SHORTING BARS LOADED
 SIZE: CAGE CODE DRAWING NO. 00779 C=1924170
 SCALE: 3:1 SHEET 5 OF 5 REV: F1

X-ON Electronics

Largest Supplier of Electrical and Electronic Components

Click to view similar products for [Automotive Connectors](#) category:

Click to view products by [TE Connectivity](#) manufacturer:

Other Similar products are found below :

[003-018-000](#) [60403001](#) [60993906-B](#) [M902-2131](#) [M902-2161](#) [72.330.1035.1](#) [73.353.4028.0](#) [F119300-B](#) [F166900](#) [F258300-B](#) [F358300-B](#)
[F407400](#) [F444110](#) [F487000](#) [F509500B-B](#) [827153-1](#) [8N1515-32-24P](#) [9-1326729-8](#) [925474-1](#) [928905-1](#) [964562-4](#) [968782-1](#) [GT17SA-8DS-](#)
[HU](#) [98891-1012](#) [98947-1016](#) [12004147](#) [12004475-L](#) [12010290](#) [12010309-B](#) [12015454](#) [12020219-B](#) [12020308](#) [12041318-B](#) [12052225-L](#)
[12052466](#) [12059125](#) [12064869](#) [12004327-B](#) [12010503-B](#) [12015308](#) [12015384](#) [12015909](#) [1-21030-1](#) [12041254](#) [12041318](#) [12047946-B](#)
[12047957](#) [12047957-L](#) [12059473](#) [12066261](#)