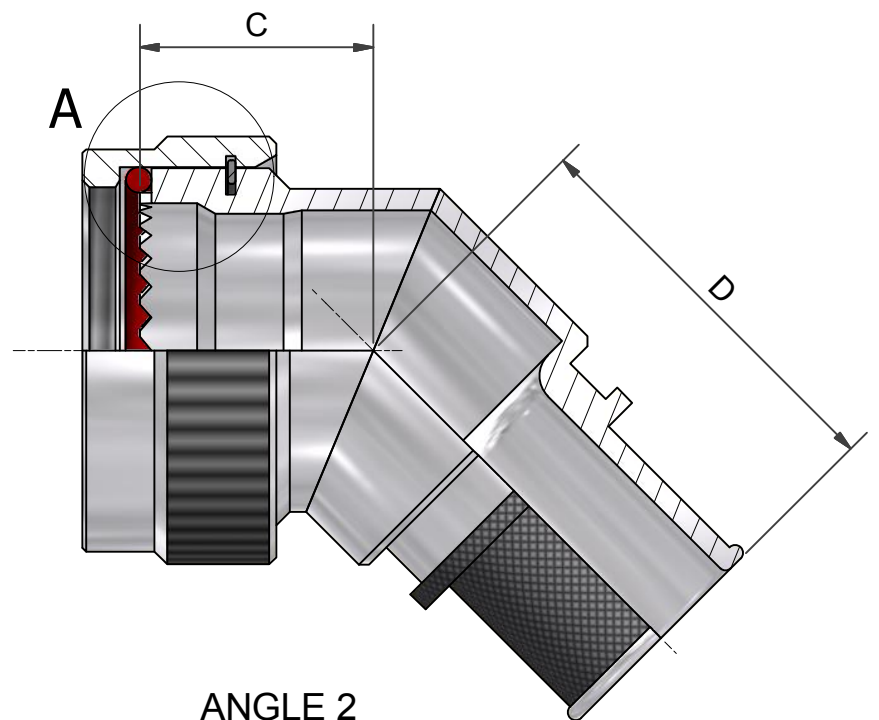
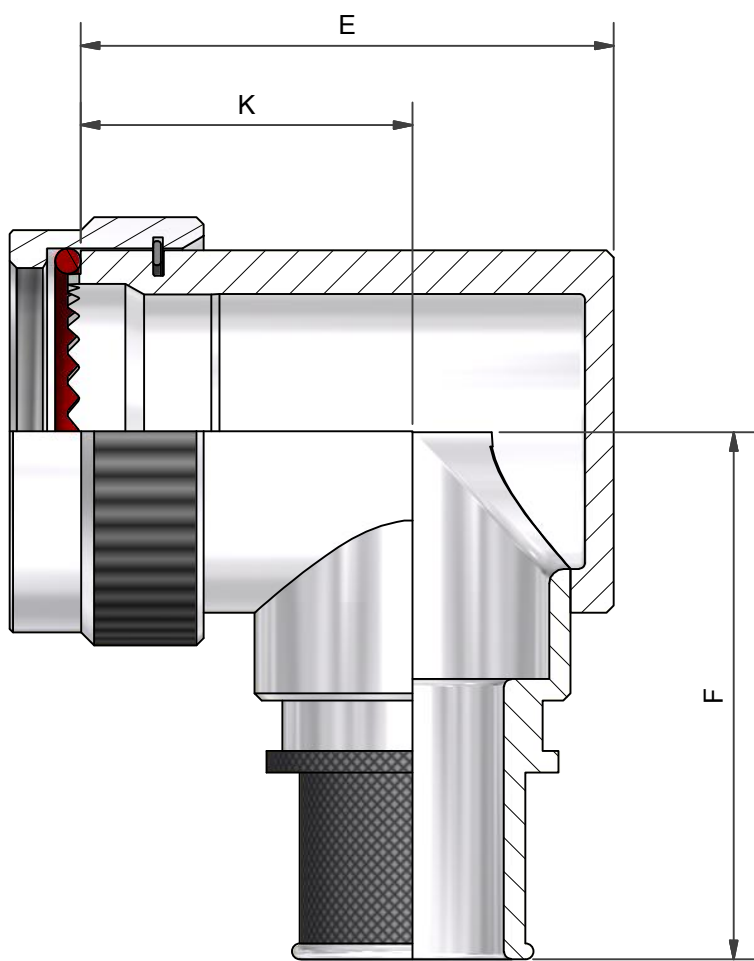


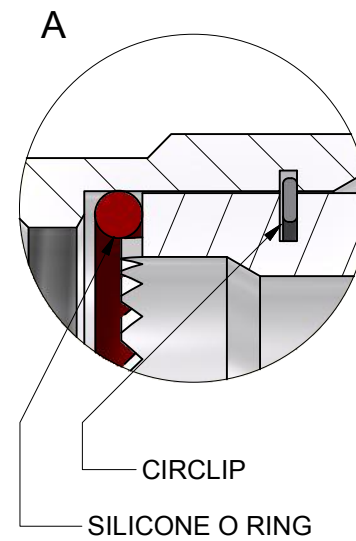
ANGLE 1



ANGLE 2



ANGLE 3



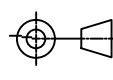
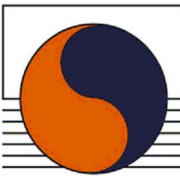

DRAWN		DATE		 3RD ANGLE PROJECTION NOT TO SCALE	PART NUMBER:			<h1>91D SERIES</h1>								
R.CL		11/05/2018			TITLE:						<h2>SPRING TERMINATION BACKSHELL</h2>					
DESIGN APPROVAL		DATE		UNLESS OTHERWISE SPECIFIED ALL DIMENSIONS IN MILLIMETRES GENERAL TOL LINEAR +/-0,25MM ANGULAR +/- 1°				ASSY USED ON: MIL-DTL-26482 SERIES I / PATT 105 / PATT 603						 Polamco  TE <small>connectivity</small>		
K. SHEPPARD		25/06/2012			THIS DRAWING IS COPYRIGHT AND THE PROPERTY OF POLAMCO LTD IT MUST NOT BE COPIED, USED FOR MANUFACTURE OR OTHERWISE DISCLOSED WITHOUT PRIOR WRITTEN CONSENT OF THE COMPANY.						POLAMCO LTD, WESTON LOCK, LOWER BRISTOL ROAD BATH BA2 1EP					
DOC TYPE	Customer Drawing															
ISSUE	REV.	DCR			SEE PART NUMBER BREAKDOWN			1								
2	1	5763+5764			FINISH			DRAWING NO:								
NCAGE CODE U5792		WEIGHT N/A		SEE PART NUMBER BREAKDOWN			P11308									

TABLE 1

SHELL SIZE	A THREAD	ØB MAX	ØT MIN	C ±0,5	D MAX	E MAX	F MAX	K ±0,5
08	7/16-28 UNF	17,3	7,0	14,1	25,7	25,2	30,4	17,5
10	9/16-24 UNEF	20,3	9,6	14,9	26,9	28,2	32,2	18,6
12	11/16-24 UNEF	23,8	13,3	15,3	27,3	31,7	33,7	20,5
14	13/16-20 UNEF	26,8	15,7	16,2	28,2	35,2	35,2	22,5
16	15/16-20 UNEF	29,8	18,8	16,5	29,0	38,2	36,9	24,0
18	1 1/16-18 UNEF	33,3	21,2	17,3	29,3	41,7	38,5	26,0
20	1 3/16-18 UNEF	36,3	24,4	18,2	30,1	45,2	41,1	28,0
22	1 5/16-18 UNEF	39,8	27,6	18,5	30,5	48,2	41,6	29,5
24	1 7/16-18 UNEF	42,8	30,8	19,4	31,4	51,2	43,1	31,0

TABLE 2

ENTRY SIZE	ØG MIN	ØH MAX	SPRING REF:
03	4,77	13,9	HE050
04	6,35	13,9	HE050
05	7,92	15,5	HE100
06	9,52	17,2	HE100
07	11,10	18,7	HE100
08	12,70	20,3	HE200
09	14,27	21,9	HE200
10	15,88	23,5	HE200
11	17,47	25,1	HE200
12	19,05	26,7	HE300
13	20,62	28,3	HE300
14	22,23	29,9	HE300
15	23,82	31,5	HE300
16	25,40	33,1	HE300
17	27,00	34,7	HE400
18	28,60	36,3	HE400
19	30,20	37,9	HE400
20	31,80	39,5	HE400
21	33,38	41,1	HE400
22	35,00	42,7	HE400
23	36,58	44,3	HE400
24	38,10	45,9	HE400

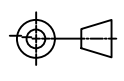


TABLE 3

CODE	MATERIAL / FINISH
1-C	ALUMINIUM / ELECTROLESS NICKEL
1-B	ALUMINIUM / CADMIUM OLIVE DRAB OVER ELECTROLESS NICKEL
1-ZB	ALUMINIUM / ZINC COBALT OLIVE DRAB OVER ELECTROLESS NICKEL
1-ZN	ALUMINIUM / ZINC NICKEL BLACK PASSIVATE OVER ELECTROLESS NICKEL
4-J	STAINLESS STEEL / PASSIVATE
2-Z	NICKEL ALUMINIUM BRONZE / SHOT BLAST

SEE SS0076 FOR FULL RANGE OF FINISH OPTIONS

91D1-16-08-1-C-HE200

SERIES _____
CONNECTOR INTERFACE _____
ANGLE _____
SHELL SIZE (TABLE 1) _____
ENTRY SIZE (TABLE 2) _____
MATERIAL: ALUMINIUM ALLOY _____
FINISH (TABLE 3) _____
SPRING REFERENCE (TABLE 2) _____

DRAWN		DATE		 3RD ANGLE PROJECTION NOT TO SCALE	PART NUMBER:			<div style="text-align: center; font-size: 24px; font-weight: bold;">91D SERIES</div>			 Polamco
R.CL		11/05/2018			TITLE:						
DESIGN APPROVAL		DATE		<small>UNLESS OTHERWISE SPECIFIED ALL DIMENSIONS IN MILLIMETRES GENERAL TOL LINEAR +/-0,25MM ANGULAR +/- 1°</small>				ASSY USED ON: MIL-DTL-26482 SERIES I / PATT 105 / PATT 603			 TE connectivity
K. SHEPPARD		25/06/2012			<small>THIS DRAWING IS COPYRIGHT AND THE PROPERTY OF POLAMCO LTD IT MUST NOT BE COPIED, USED FOR MANUFACTURE OR OTHERWISE DISCLOSED WITHOUT PRIOR WRITTEN CONSENT OF THE COMPANY.</small>						
DOC TYPE	Customer Drawing							MATERIAL SEE PART NUMBER BREAKDOWN FINISH SEE PART NUMBER BREAKDOWN			SHT
ISSUE	REV.	DCR			<small>DISCLOSED WITHOUT PRIOR WRITTEN CONSENT OF THE COMPANY.</small>			2	P11308		
2	1	5763+5764			<small>DISCLOSED WITHOUT PRIOR WRITTEN CONSENT OF THE COMPANY.</small>						
NCAGE CODE U5792		WEIGHT N/A									

X-ON Electronics

Largest Supplier of Electrical and Electronic Components

Click to view similar products for [Circular MIL Spec Backshells](#) category:

Click to view products by [TE Connectivity](#) manufacturer:

Other Similar products are found below :

[60-036152-022](#) [610HS012M15](#) [M28840/504WA](#) [M28840/805WB](#) [M28840/809WA](#) [M28840/815WA](#) [M28840/816WA](#) [627AS017M14](#)
[627MA124M14S](#) [655HS002NF11](#) [CW3899-000](#) [M85049/10-134S](#) [M85049/10-17S](#) [M85049/10-33S](#) [M85049/10-94W](#) [M85049/11-28N](#)
[M85049/11-37N](#) [M85049/11-53N](#) [M85049/11-63N](#) [M85049/120-14W](#) [M85049/124-23W](#) [M85049/1720N04B](#) [M85049/1821W05C](#)
[M85049/1825W06C](#) [M85049/1919N05](#) [M85049/23-74W](#) [M85049/24-71N](#) [M85049/25-47N](#) [M85049/25-94W](#) [M85049/27S12N](#) [M85049/39-](#)
[11S](#) [M85049/39-17S](#) [M85049/39-9S](#) [M85049/6-10B](#) [M85049/6-19N](#) [M85049/6-20B](#) [M85049/77-20W04](#) [M85049/78-11N03](#) [M85049/78-](#)
[15W02](#) [M85049/78-17N04](#) [M85049/78-19N05](#) [M85049/79-19N07](#) [M85049/79-25N04](#) [M85049/82-18N02](#) [M85049/82-22P02](#) [M85049/83-](#)
[10W03](#) [M85049/84-20N03](#) [M85049/8-48N](#) [M85049/85-24N01](#) [M85049/85-24P01](#)