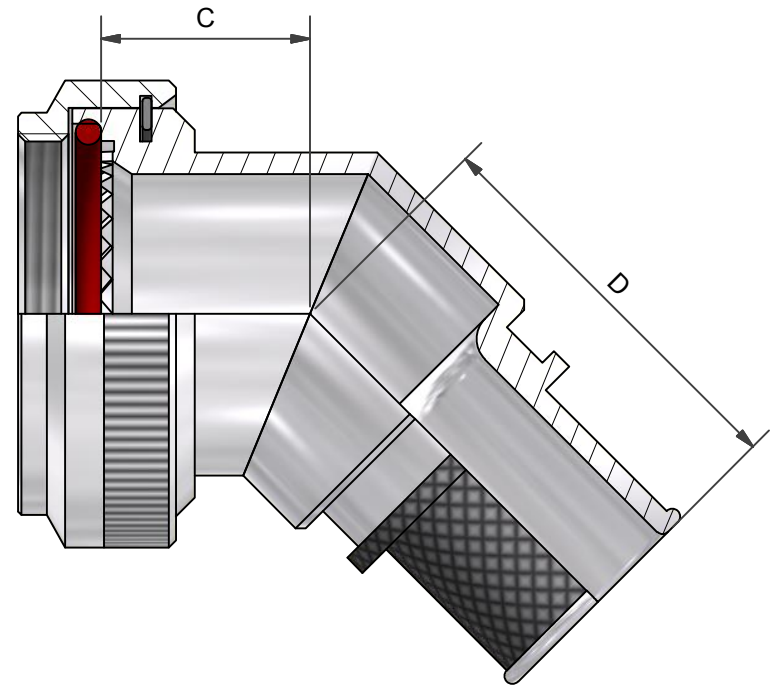
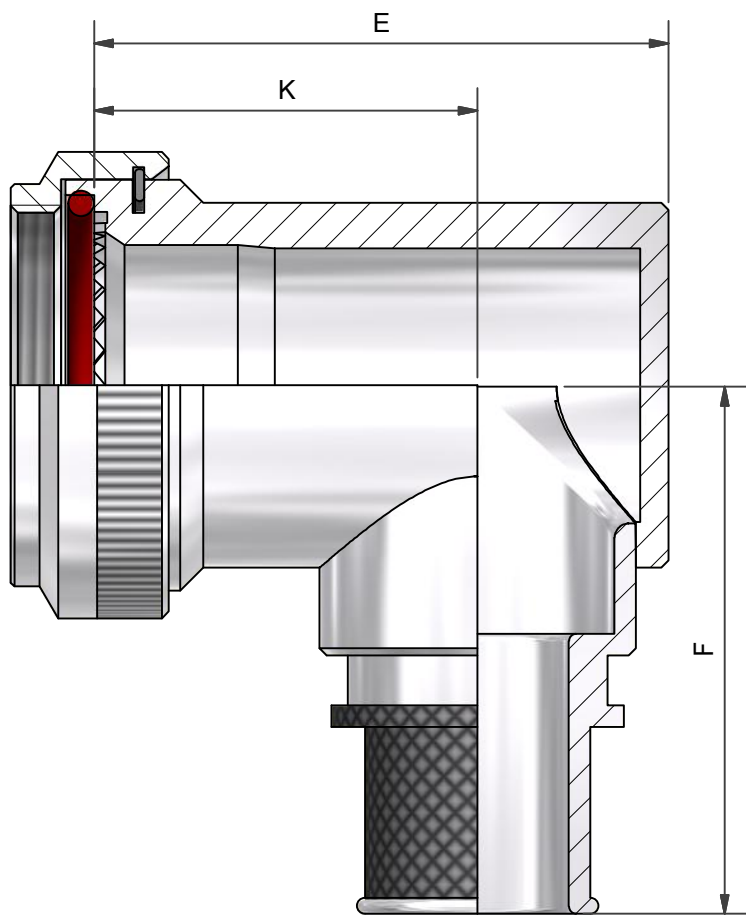


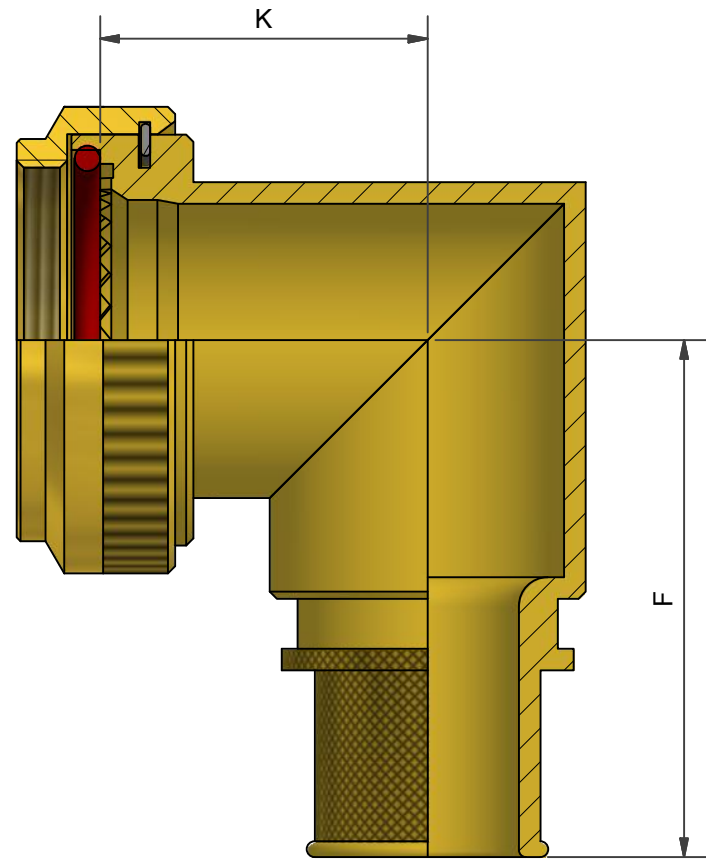
ANGLE 1



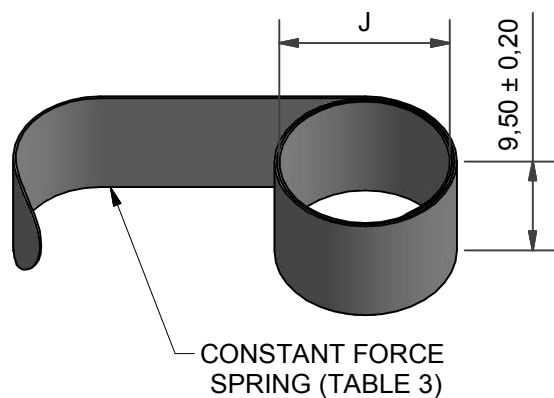
ANGLE 2



ANGLE 3
90° BACKSHELL
ALUMINIUM ALLOY



ANGLE 3
90° BACKSHELL
STAINLESS STEEL
NICKEL ALUMINIUM BRONZE



CONSTANT FORCE
SPRING (TABLE 3)

DRAWN		DATE		 3RD ANGLE PROJECTION NOT TO SCALE	PART NUMBER:			<h1 style="text-align: center;">91H SERIES</h1>		
K.K-W		19/09/2017			TITLE:					
DESIGN APPROVAL		DATE		UNLESS OTHERWISE SPECIFIED ALL DIMENSIONS IN MILLIMETRES GENERAL TOL LINEAR +/-0,25MM ANGULAR +/- 1°				ASSY USED ON: MIL-DTL-38999 SERIES III & IV		
K.SHEPPARD		19/09/2017			THIS DRAWING IS COPYRIGHT AND THE PROPERTY OF POLAMCO LTD IT MUST NOT BE COPIED, USED FOR MANUFACTURE OR OTHERWISE DISCLOSED WITHOUT PRIOR WRITTEN CONSENT OF THE COMPANY.					
DOC TYPE	Customer Drawing							MATERIAL		
ISSUE	REV.	DCR		SEE PART NUMBER BREAKDOWN			SHT 1			
6	1	6624		FINISH						DRAWING NO: P10743
NCAGE CODE U5792		WEIGHT N/A		SEE PART NUMBER BREAKDOWN						

THESE DIMENSIONS APPLY IF BACKSHELL IS STAINLESS STEEL OR NICKEL ALUMINIUM BRONZE

TABLE 1

SHELL SIZE	A THREAD	ØB MAX	ØT MIN	C MAX	D MAX	E MAX	F MAX	K ±0,5	F MAX	K ±1,0
09	M12 x 1.0	18,0	6,7	13,1	25,7	25,7	30,5	17,5	32,9	15,9
11	M15 x 1.0	21,0	10,2	13,9	26,9	26,7	32,2	17,5	34,1	17,3
13	M18 x 1.0	24,5	13,5	14,5	27,3	31,2	33,7	20,0	35,3	19,1
15	M22 x 1.0	29,0	16,2	15,5	28,2	37,2	35,2	24,5	37,1	21,2
17	M25 x 1.0	32,5	19,4	16,1	29,0	40,2	36,9	26,7	39,0	22,8
19	M28 x 1.0	35,5	21,8	16,8	29,3	44,7	38,5	27,0	40,8	24,9
21	M31 x 1.0	37,0	25,1	17,1	30,1	49,2	40,1	30,5	42,5	25,6
23	M34 x 1.0	40,0	28,2	17,7	30,5	51,7	41,6	31,5	43,9	27,1
25	M37 x 1.0	43,5	31,4	18,4	31,4	53,2	43,1	28,5	45,3	28,6

TABLE 2

ENTRY SIZE	ØG MIN	ØH MAX	SPRING REF
03	4,7	13,9	HE050
04	6,3	13,9	HE050
05	7,9	15,5	HE100
06	9,5	17,2	HE100
07	11,1	18,7	HE100
08	12,7	20,3	HE200
09	14,2	21,9	HE200
10	15,8	23,5	HE200
11	17,4	25,1	HE200
12	19,0	26,7	HE300
13	20,6	28,3	HE300
14	22,2	29,9	HE300
15	23,8	31,5	HE300
16	25,4	33,1	HE300
17	27,0	34,7	HE400
18	28,6	36,3	HE400
19	30,2	37,9	HE400
20	31,8	39,5	HE400
21	33,3	41,1	HE400
22	35,0	42,7	HE400
23	36,5	44,3	HE400
24	38,1	45,9	HE400

TABLE 3

SPRING REF	J MAX (UNCONSTRAINED)
HE 050	7,5
HE 100	9,1
HE 200	12,8
HE 300	17,9
HE 400	21,8

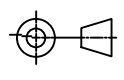


TABLE 4

CODE	MATERIAL / FINISH
1-C	ALUMINIUM / ELECTROLESS NICKEL
1-B	ALUMINIUM / CADMIUM OLIVE DRAB OVER ELECTROLESS NICKEL
1-ZB	ALUMINIUM / ZINC COBALT OLIVE DRAB OVER ELECTROLESS NICKEL
1-ZK	ALUMINIUM / ZINC COBALT BLACK OVER ELECTROLESS NICKEL
1-ZN	ALUMINIUM / ZINC NICKEL BLACK PASSIVATE OVER ELECTROLESS NICKEL
4-J	STAINLESS STEEL 300 SERIES / PASSIVATE
46-J	STAINLESS STEEL 316 / PASSIVATE
2-Z	NICKEL ALUMINIUM BRONZE / SHOT BLAST

SEE SS0076 FOR FULL RANGE OF FINISH OPTIONS
NOTE: VITON O-RING SUPPLIED WITH STAINLESS BACKSHELL

91H1-17-08-1-C-HE200

SERIES _____
CONNECTOR INTERFACE _____
ANGLE _____
SHELL SIZE (TABLE 1) _____
ENTRY SIZE (TABLE 2) _____
MATERIAL AND FINISH (TABLE 4) _____
SPRING REF (TABLE 3) _____
OMIT IF NO SPRING REQUIRED

DRAWN		DATE		 3RD ANGLE PROJECTION NOT TO SCALE	PART NUMBER:				<p style="text-align: center; font-size: 24px;">91H SERIES</p>				 Polamco
K.K-W		19/09/2017			TITLE:								
DESIGN APPROVAL		DATE		<small>UNLESS OTHERWISE SPECIFIED ALL DIMENSIONS IN MILLIMETRES GENERAL TOL LINEAR +/-0,25MM ANGULAR +/- 1°</small>	ASSY USED ON: MIL-DTL-38999 SERIES III & IV				<p style="text-align: center;">THIS DRAWING IS COPYRIGHT AND THE PROPERTY OF POLAMCO LTD IT MUST NOT BE COPIED, USED FOR MANUFACTURE OR OTHERWISE DISCLOSED WITHOUT PRIOR WRITTEN CONSENT OF THE COMPANY.</p>				 TE connectivity
DOC TYPE	Customer Drawing				MATERIAL				POLAMCO LTD, WESTON LOCK, LOWER BRISTOL ROAD, BATH BA2 1EP				
ISSUE	REV.	DCR			SEE PART NUMBER BREAKDOWN				DRAWING NO:				
6	1	6624		FINISH				2				P10743	
NCAGE CODE U5792		WEIGHT N/A		SEE PART NUMBER BREAKDOWN									

X-ON Electronics

Largest Supplier of Electrical and Electronic Components

Click to view similar products for [Circular MIL Spec Backshells](#) category:

Click to view products by [TE Connectivity](#) manufacturer:

Other Similar products are found below :

[5M2919-3DW](#) [5M2953-1HW](#) [5PTC0023-28C](#) [5PTV7106-AC](#) [5PTV7107-HC](#) [610HS012M15](#) [M28840/805WB](#) [M28840/809WA](#)
[M28840/815WA](#) [M28840/816WA](#) [627AS017M14](#) [655HS002NF11](#) [CW3899-000](#) [M85049/10-134S](#) [M85049/10-17S](#) [M85049/10-33S](#)
[M85049/10-94W](#) [M85049/11-63N](#) [M85049/120-14W](#) [M85049/124-23W](#) [M85049/1919N05](#) [M85049/24-71N](#) [M85049/25-47N](#) [M85049/25-](#)
[94W](#) [M85049/27S12N](#) [M85049/39-11S](#) [M85049/39-17S](#) [M85049/39-9S](#) [M85049/6-10B](#) [M85049/6-19N](#) [M85049/6-20B](#) [M85049/79-25N04](#)
[M85049/81-10](#) [M85049/82-22P02](#) [M85049/85-24P01](#) [M85049/86-16P03](#) [M85049/88-19P02](#) [M85049/88-21P02](#) [M85049/88-23P02](#)
[M85049/89-11P03](#) [M85049/90-11J03](#) [M85049/90-13P02](#) [M85049/90-15P03](#) [M85049/90-19P02](#) [M85049/92-09T](#) [801-005-02Z19-19PA](#)
[84030008](#) [8500-2472 900](#) [85202A14](#) [FRCIR020R-16-10P-F80-T108-VO](#)