

THIS DRAWING IS UNPUBLISHED. RELEASED FOR PUBLICATION
 © COPYRIGHT - By - ALL RIGHTS RESERVED.

LOC	DIST	REVISIONS			
P	LTR	DESCRIPTION	DATE	DWN	APVD
ES	00				
NOTES:		F2	REVISED PER ECO-11-005033	28MAR11	RK HMR

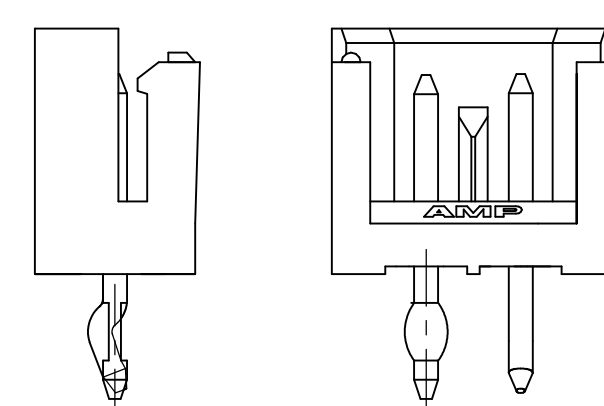
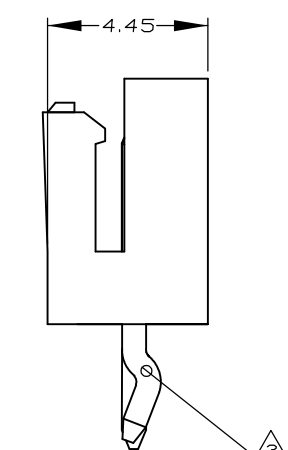
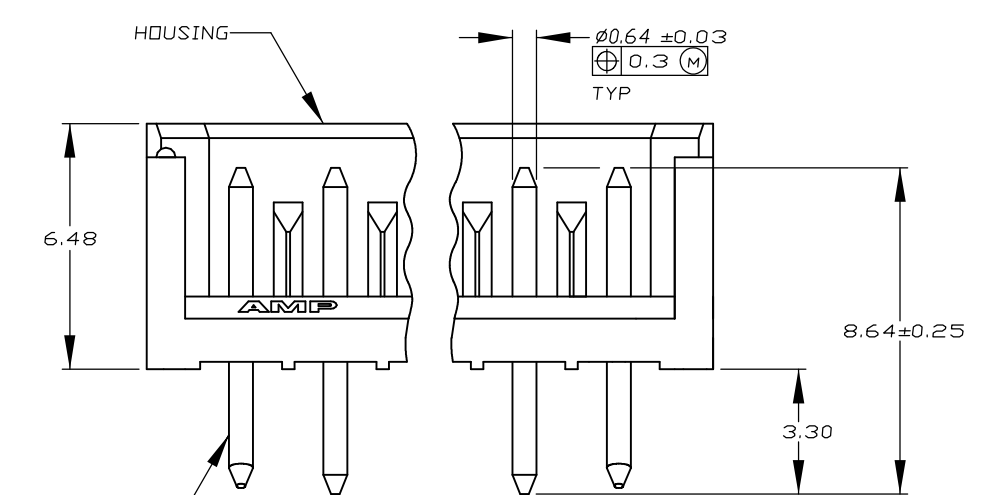
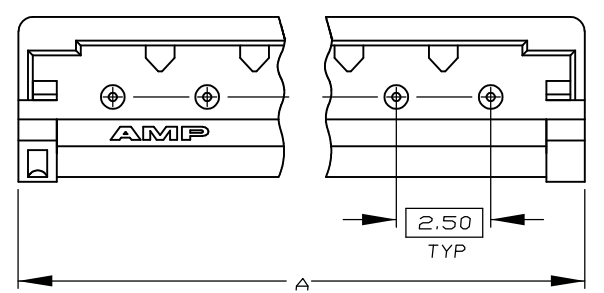
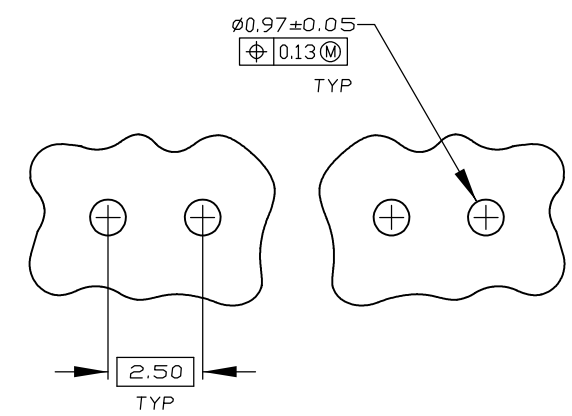


FIG. 1 $\triangle 4$

- $\triangle 1$ MATERIAL: HEADER: NYLON UL94V-0 (WHITE),
POST: BRASS, TIN OVER NICKEL OR GOLD OVER NICKEL
- 2. POST COMPLY WITH AMP SOLDERABILITY SPEC 109-11-2.
- $\triangle 3$ RETENTION DETAIL LOCATED ON END CIRCUITS ONLY
- $\triangle 4$ (2) CIRCUIT HEADER TO BE AS SHOWN IN FIGURE 1.

$\triangle 5$ OBSOLETE PARTS: OBSOLETE CIS STREAMLINING PER D.RENAUD/D.SINISI

$\triangle 5$ OBSOLETE	GOLD PLATED PIN		TIN PLATED PIN	
	37.5	14	3-92008-4	1-92008-4
	35	13	3-92008-3	1-92008-3
	32.5	12	3-92008-2	1-92008-2
	30	11	3-92008-1	1-92008-1
	27.5	10	3-92008-0	1-92008-0
	25	9	2-92008-9	92008-9
	22.5	8	2-92008-8	92008-8
	20	7	2-92008-7	92008-7
	17.5	6	2-92008-6	92008-6
	15	5	2-92008-5	92008-5
	12.5	4	2-92008-4	92008-4
	10	3	2-92008-3	92008-3
	7.5	2	2-92008-2	92008-2
	A	NO OF CIRCUITS	PART NO	PART NO



RECOMMENDED MOUNTING HOLE PATTERN FOR 1.57 THICK PRINTED CIRCUIT BOARD

THIS DRAWING IS A CONTROLLED DOCUMENT.		DWN SARIATI 08SEP2003	STE TE Connectivity	
DIMENSIONS: mm		CHK MAGGIE		
TOLERANCES UNLESS OTHERWISE SPECIFIED:		APVD P de JONG	NAME	
0 PLC ± -		PRODUCT SPEC 108-51007	HEADER ASSEMBLY, ROUND PIN METRIC INTERCONNECT SYSTEM	
1 PLC ± -		APPLICATION SPEC	SIZE	CAGE CODE
2 PLC ± -			A3	00779
3 PLC ± -			DRAWING NO	RESTRICTED TO
4 PLC ± -			C-92008	
ANGLES ± -		WEIGHT	SCALE	SHEET
FINISH		CUSTOMER DRAWING	1:1	1 OF 1
			REV	F2

X-ON Electronics

Largest Supplier of Electrical and Electronic Components

Click to view similar products for [Headers & Wire Housings](#) category:

Click to view products by [TE Connectivity](#) manufacturer:

Other Similar products are found below :

[892-18-020-10-001101](#) [58102-G61-06LF](#) [582553-1](#) [0009485154](#) [009176003701906](#) [0050291907](#) [LY20-4P-DT1-P1E-BR](#) [02.125.8002.8](#)
[609-3404](#) [61062-3](#) [61082-181009](#) [622-3653LF](#) [63453-116](#) [636-1030](#) [636-1427](#) [636-3427](#) [636-4007](#) [641938-9](#) [641991-4](#) [644827-2](#) [65817-](#)
[010LF](#) [65817-015LF](#) [65863-015LF](#) [66207-023LF](#) [67095-007LF](#) [67601157](#) [68645-018](#) [68648-049](#) [70.362.1628.0](#) [70-4210](#) [70-4226B](#) [70-](#)
[4853B](#) [707-5020](#) [707-5028](#) [71.350.2428.0](#) [71918-208LF](#) [71961-016LF](#) [733-134](#) [733-162](#) [754199-000](#) [760-3052](#) [787-8014-00](#) [79531-3000](#)
[FCN-360C032-B](#) [FCN-367T-T012/H](#) [FCN-723D010/2](#) [80.063.4001.1](#) [800-90-001-10-001000](#) [800-90-010-10-002000](#) [801-43-002-10-013000](#)