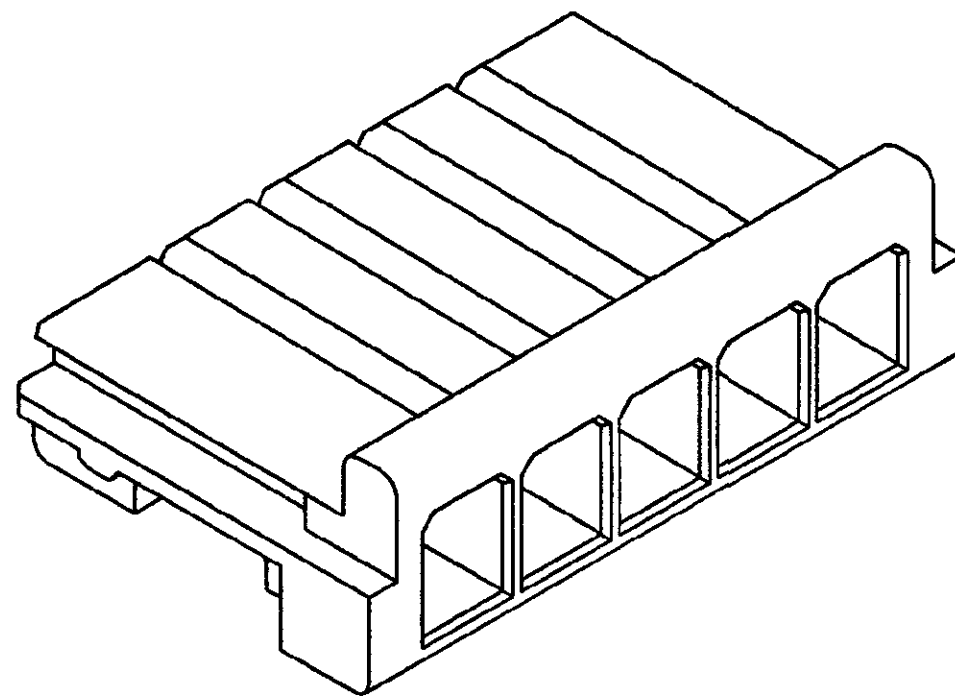
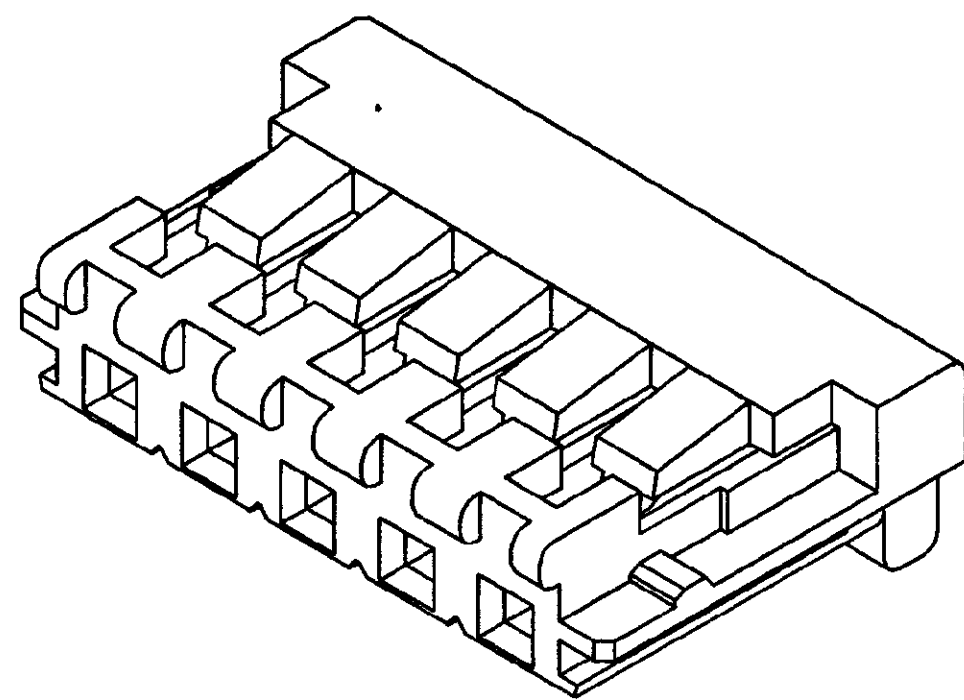
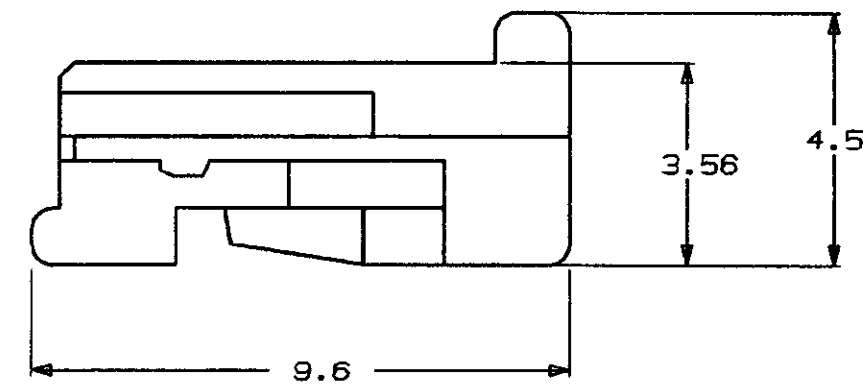
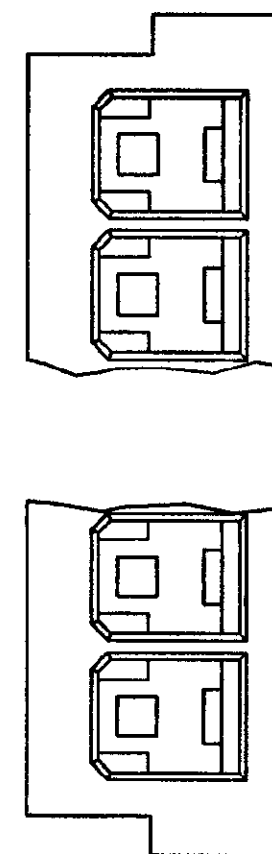
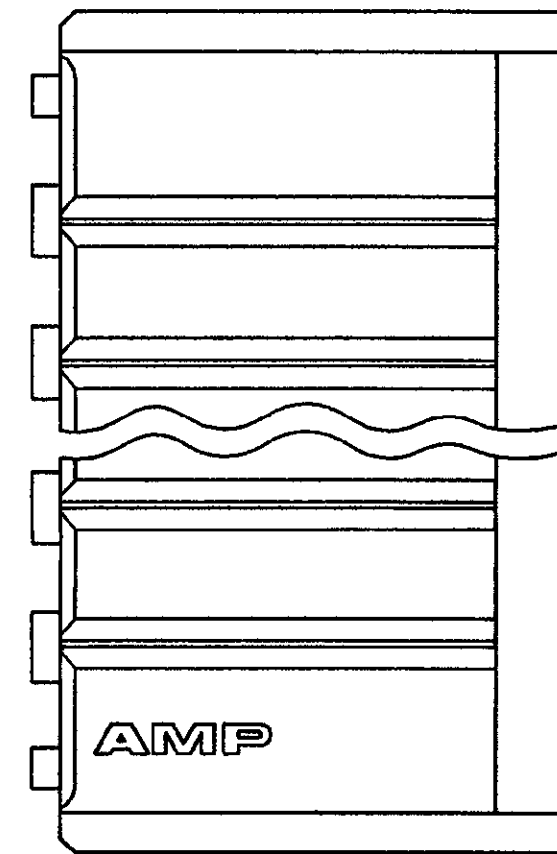
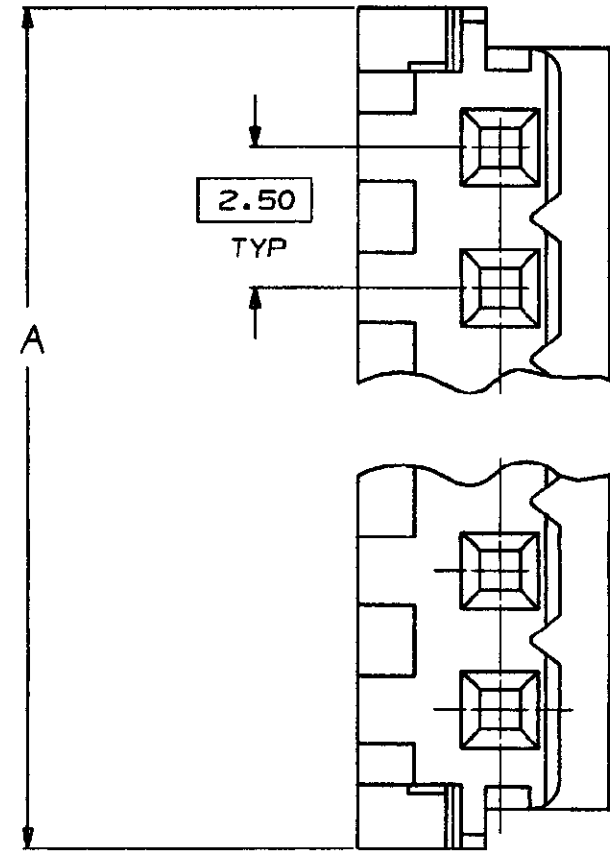
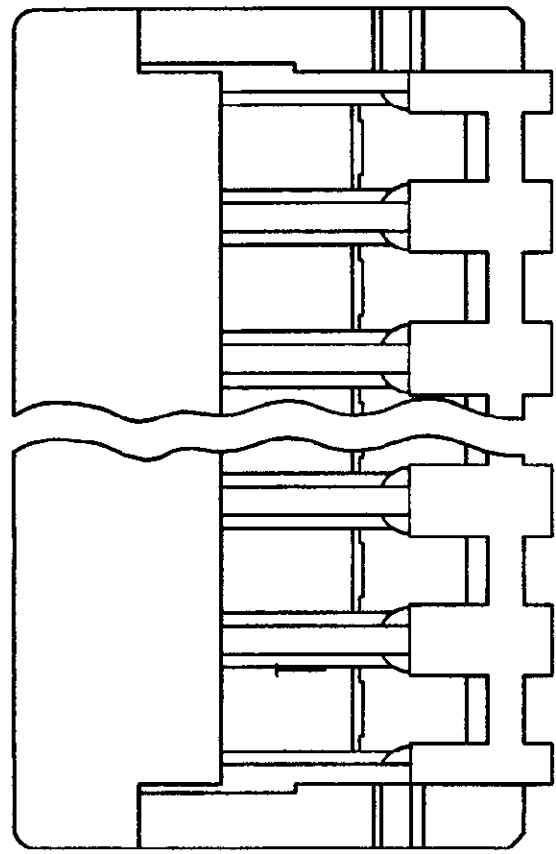


NOTE:

1. HOUSING WILL ACCEPT CONTACT P/N 92007-1.
2. PRODUCT SPEC: 108-51007
3. APPLICATION SPEC: 114-58000



THREE DIMENSIONAL MODEL
NOT TO SCALE

40	15	9-92009-5	7-92009-5	5-92009-5	3-92009-5	1-92009-5
37.5	14	9-92009-4	7-92009-4	5-92009-4	3-92009-4	1-92009-4
35	13	9-92009-3	7-92009-3	5-92009-3	3-92009-3	1-92009-3
32.5	12	9-92009-2	7-92009-2	5-92009-2	3-92009-2	1-92009-2
30	11	9-92009-1	7-92009-1	5-92009-1	3-92009-1	1-92009-1
27.5	10	9-92009-0	7-92009-0	5-92009-0	3-92009-0	1-92009-0
25	9	8-92009-9	6-92009-9	4-92009-9	2-92009-9	92009-9
22.5	8	8-92009-8	6-92009-8	4-92009-8	2-92009-8	92009-8
20	7	8-92009-7	6-92009-7	4-92009-7	2-92009-7	92009-7
17.5	6	8-92009-6	6-92009-6	4-92009-6	2-92009-6	92009-6
15	5	8-92009-5	6-92009-5	4-92009-5	2-92009-5	92009-5
12.5	4	8-92009-4	6-92009-4	4-92009-4	2-92009-4	92009-4
10	3	8-92009-3	6-92009-3	4-92009-3	2-92009-3	92009-3
7.5	2	8-92009-2	6-92009-2	4-92009-2	2-92009-2	92009-2
A	NO OF CIRCUITS	BLUE	BLACK	RED	YELLOW	NATURAL

PART NO



(WIRE RANGE) mm ² (AWG -)	(INSULATION DIA.) mm	(NAME) HOUSING, CRIMP-SNAP, METRIC INTERCONNECT SYSTEM
(MATERIAL) NYLON UL94V-0 (WHITE)	(FINISH) -	(GENERAL TOLERANCE) 2 PLC DEC ±0.13 3 PLC DEC ±0.25 ANGLES ±0.5
DR. D. MARFOE	APP. GFM	SIZE LOC (ING.) A2 DY 92009
LTR (REVISION RECORD)	DR CHK DATE	SCALE: 8:1 REV. C1 SHEET 1 of 1

X-ON Electronics

Largest Supplier of Electrical and Electronic Components

Click to view similar products for [Headers & Wire Housings](#) category:

Click to view products by [TE Connectivity](#) manufacturer:

Other Similar products are found below :

[892-18-020-10-001101](#) [58102-G61-06LF](#) [582553-1](#) [0009485154](#) [009176003701906](#) [0050291907](#) [LY20-4P-DT1-P1E-BR](#) [02.125.8002.8](#)
[609-3404](#) [61062-3](#) [61082-181009](#) [622-3653LF](#) [63453-116](#) [636-1030](#) [636-1427](#) [636-3427](#) [636-4007](#) [641938-9](#) [641991-4](#) [644827-2](#) [65817-010LF](#) [65817-015LF](#) [65863-015LF](#) [66207-023LF](#) [67095-007LF](#) [67601157](#) [68645-018](#) [68648-049](#) [70.362.1628.0](#) [70-4210](#) [70-4226B](#) [70-4853B](#) [707-5020](#) [707-5028](#) [71.350.2428.0](#) [71918-208LF](#) [71961-016LF](#) [733-134](#) [733-162](#) [754199-000](#) [760-3052](#) [787-8014-00](#) [79531-3000](#)
[FCN-360C032-B](#) [FCN-367T-T012/H](#) [FCN-723D010/2](#) [80.063.4001.1](#) [800-90-001-10-001000](#) [800-90-010-10-002000](#) [801-43-002-10-013000](#)