

THIS DRAWING IS UNPUBLISHED.

RELEASED FOR PUBLICATION

20

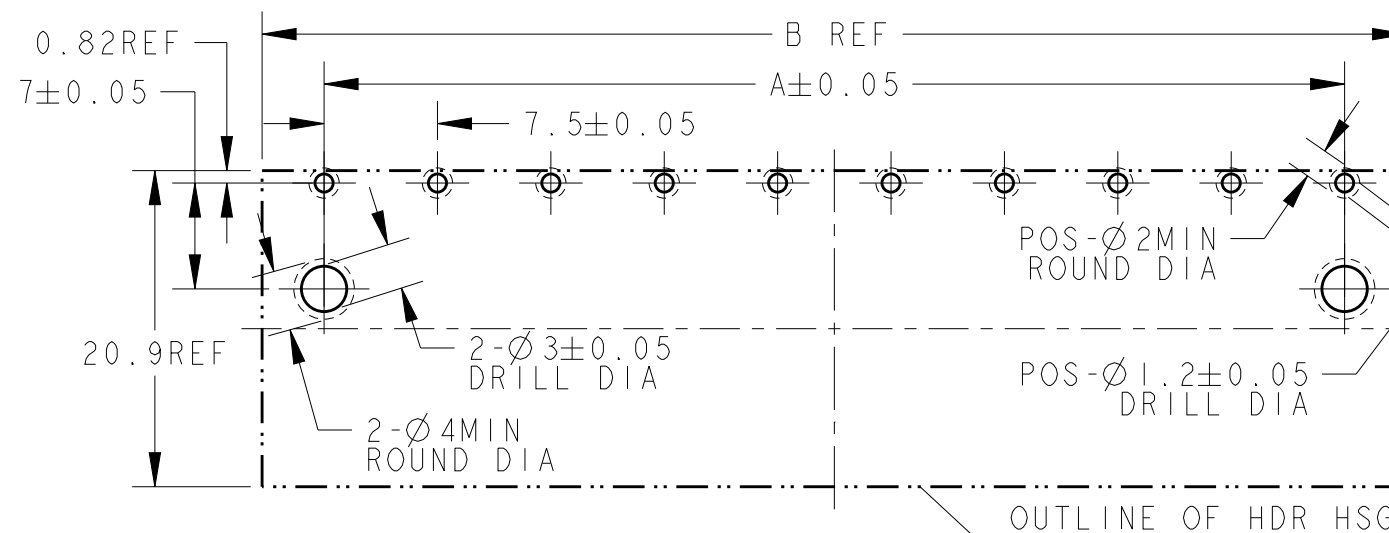
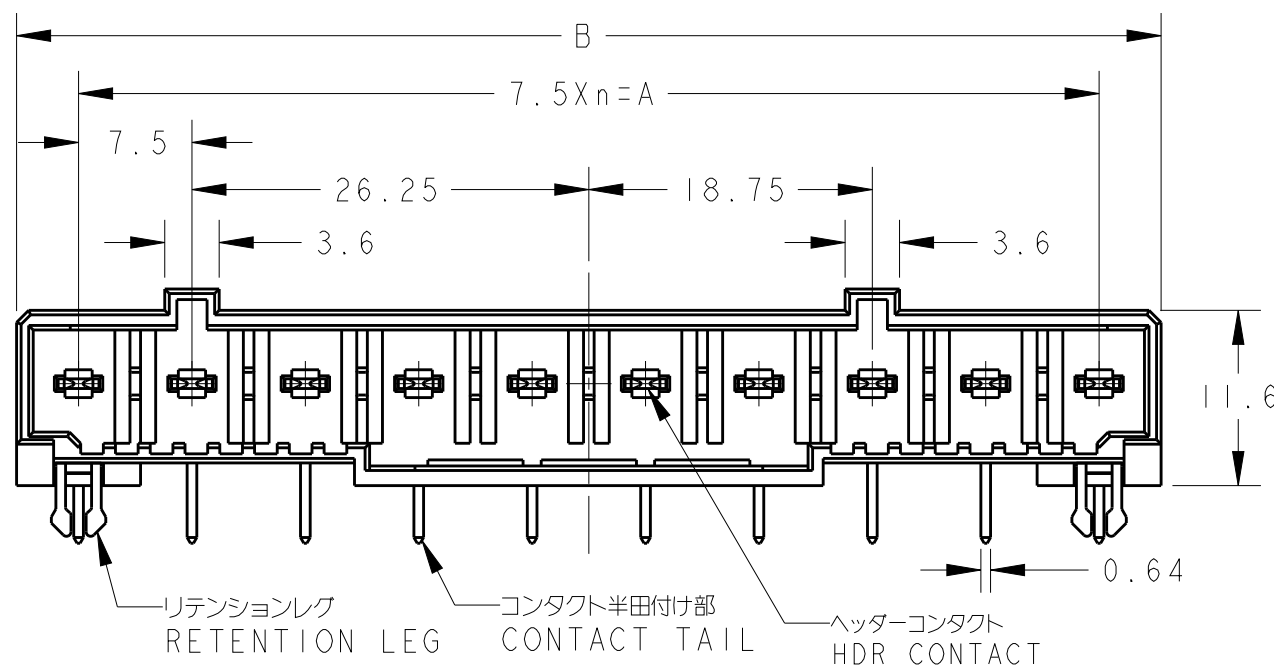
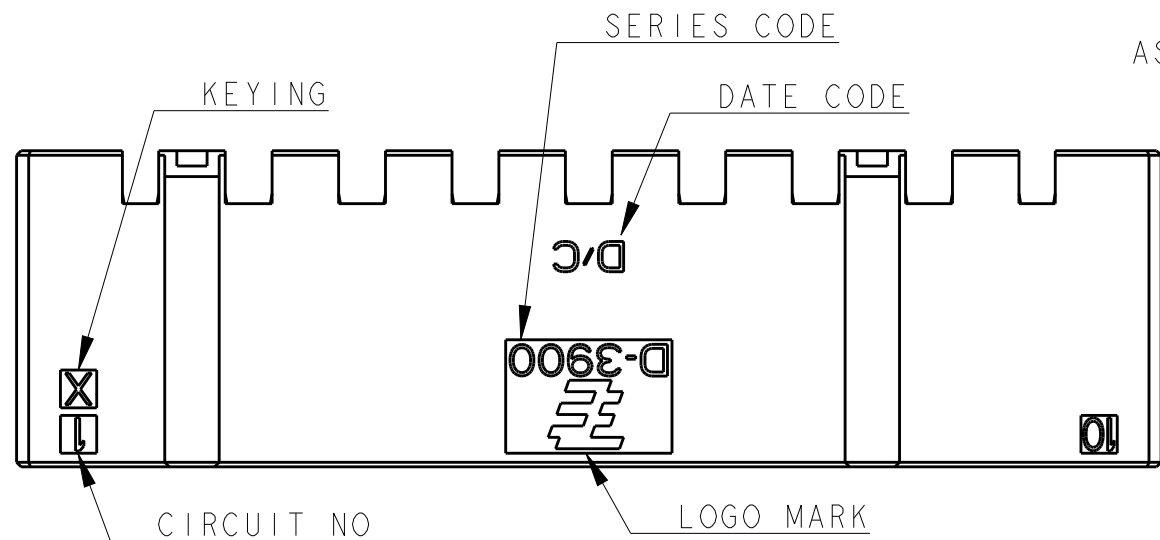
© COPYRIGHT 20 BY Tyco Electronics Japan G.K. ALL RIGHTS RESERVED.

LOC J DIST -

REVISIONS

P	LTR	DESCRIPTION	DATE	DWN	APVD
	C	REVISED	15APR2014	H.O	N.Y

AS SHOWN : 1-2013519-0 (10POS,X-KEY)



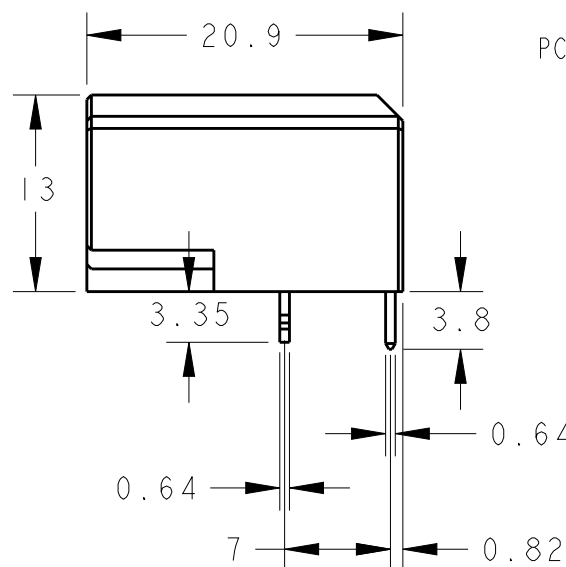
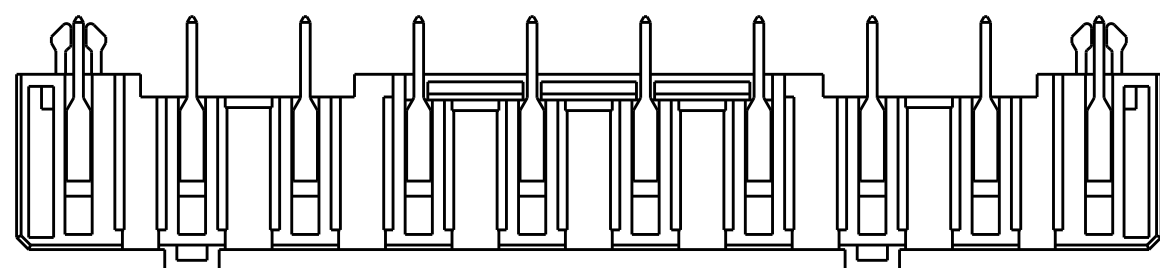
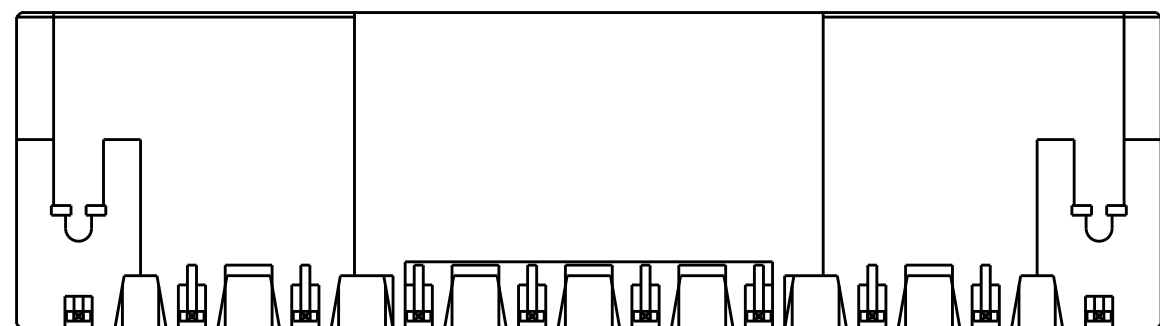
RECOMMEND PC BOARD HOLE PATTERN : CONNECTOR MOUNT SIDE (NOT ACCUMULATE TOLERANCE)  
 PC BOARD THICKNESS : 1.6±0.1

推奨基板取付寸法 : コネクタ搭載面 (非累積公差)  
 PC基板厚 : 1.6±0.1

- 材料 : ハウジング : 熱可塑性ポリエステル樹脂  
 コンタクト : 銅合金  
 リテンションレグ : 銅合金
- めっき : (コンタクト接触部) : ニッケル下地めっきの上に金めっき0.38μm以上
- めっき : リテンションレグとコンタクト半田付け部 : ニッケル下地めっきの上に錫めっき

- MATERIAL HOUSING: THERMO PLASTIC POLYESTER  
 CONTACT: COPPER ALLOY  
 RETENTION LEG: COPPER ALLOY
- FINISH (CONTACT AREA): 0.38μm MIN GOLD PLATED OVER NICKEL
- FINISH (RETENTION LEG & CONTACT TAIL)  
 : TIN PLATED OVER NICKEL

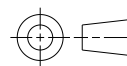
10	Y	9	67.5	75.7	BLACK	2-2013519-0
10	X	9	67.5	75.7	BLACK	1-2013519-0
7/10	Z	9	67.5	75.7	BLACK	9-2013519-0
3	Z	2	15.0	23.2	BLACK	3-2013519-3
3	Y	2	15.0	23.2	NATURAL	4-2013519-3
3	X	2	15.0	23.2	BLACK	1-2013519-3
POS	KEY	n	A	B	COLOR	PART NO



THIS DRAWING IS A CONTROLLED DOCUMENT.

DIMENSIONS: 単位: 概 mm

TOLERANCES UNLESS OTHERWISE SPECIFIED: 一般公差 ±0.3, ±5°



MATERIAL 材料

FINISH 仕上

DWN T. KUDO 21APR2008

CHK S. MANABE 21APR2008

APVD S. MANABE 21APR2008

PRODUCT SPEC 製品規格 108-78400, 5349

APPLICATION SPEC 取付適用規格 114-5148

WEIGHT

CUSTOMER DRAWING

STE TE Connectivity

NAME 名称 DYNAMIC D3900S 7.5mm PITCH  
 HDR ASSY (H-TYPE)  
 3-10POS TYPE-A

SIZE A3 CAGE CODE 00779 DRAWING NO 番号 C-2013519 RESTRICTED TO

SCALE 尺度 2:1 SHEET 1 OF 3 REV C

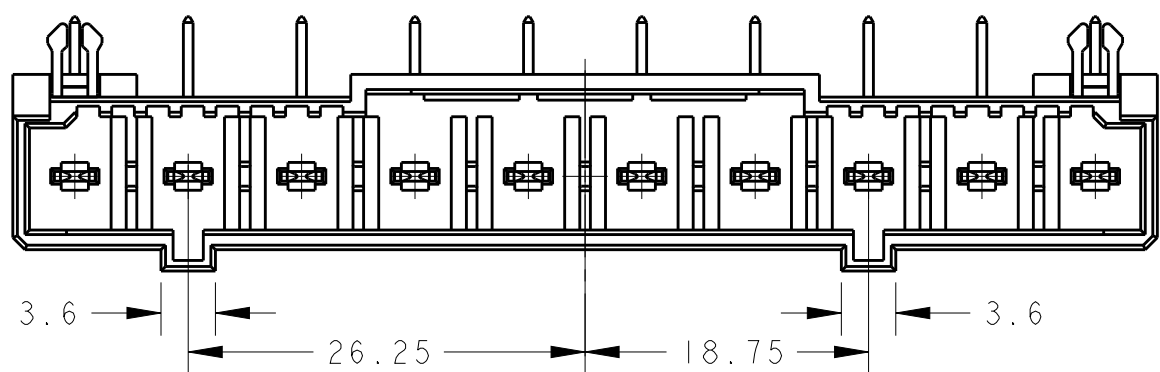
THIS DRAWING IS UNPUBLISHED.

RELEASED FOR PUBLICATION

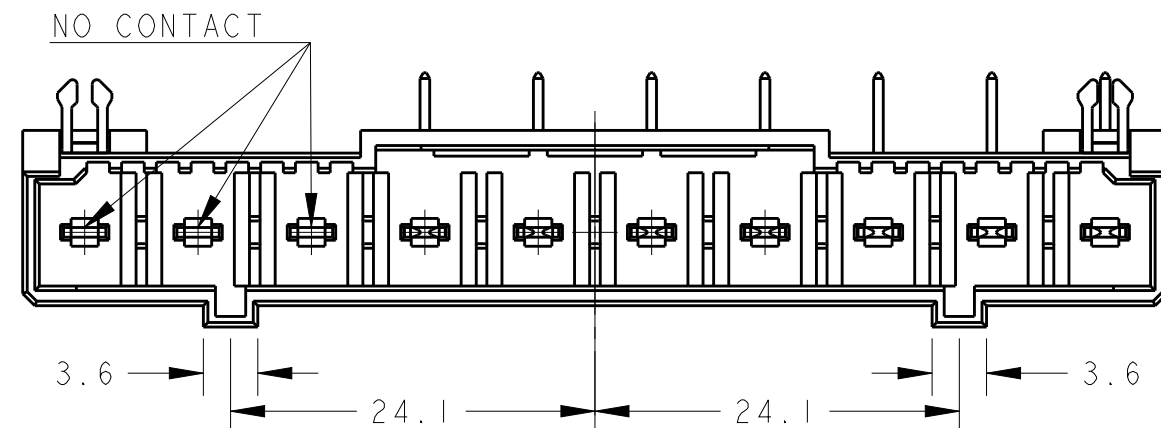
20

© COPYRIGHT 20 BY Tyco Electronics Japan G.K. ALL RIGHTS RESERVED.

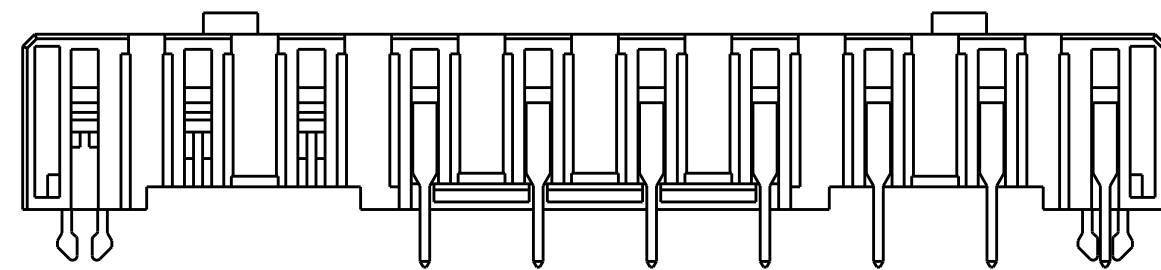
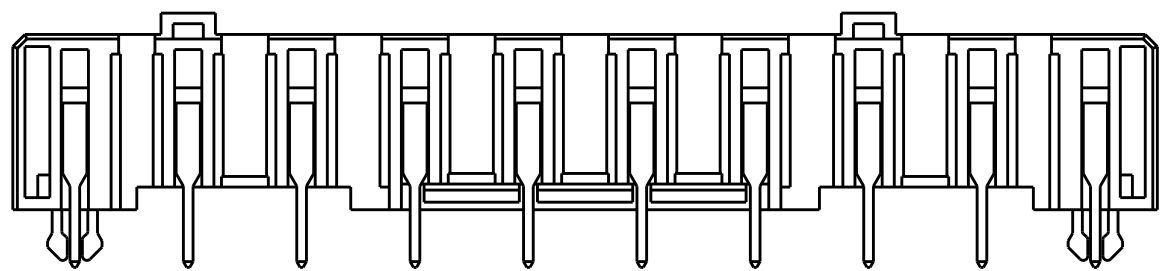
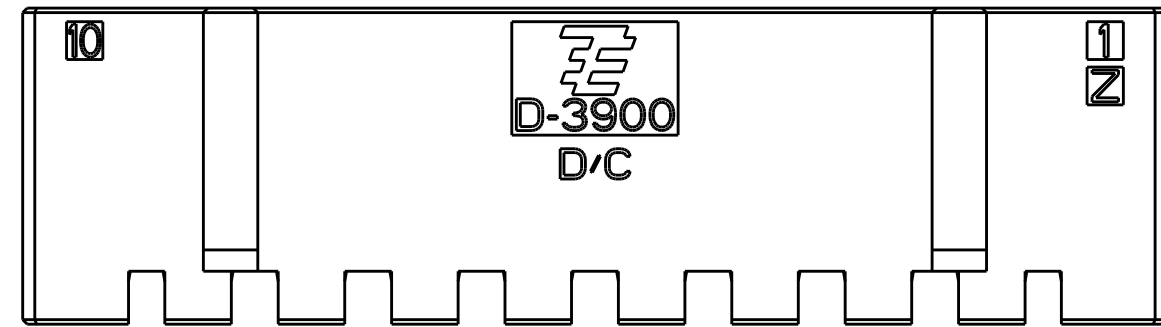
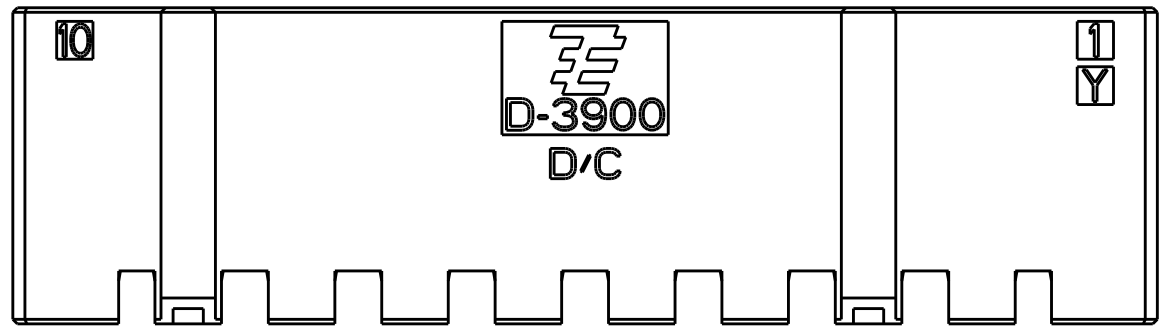
LOC	DIST	REVISIONS			
P	LTR	DESCRIPTION	DATE	DWN	APVD
J	-	SEE SHEET 1			




10POS(Y-KEY):2-2013519-0



7/10POS(Z-KEY)  
CIRCUIT 1~7:9-2013519-0



THIS DRAWING IS A CONTROLLED DOCUMENT.		DWN T. KUDO 21APR2008	 TE Connectivity		
DIMENSIONS: mm		CHK S. MANABE 21APR2008			
TOLERANCES UNLESS OTHERWISE SPECIFIED:		APVD S. MANABE 21APR2008	NAME DYNAMIC D3900S 7.5mmPITCH HDR ASSY (H-TYPE) 3-10POS TYPE-A		
0 PLC ±-		PRODUCT SPEC 108-78400, 5349	SIZE A3	CAGE CODE 00779	DRAWING NO C-2013519
1 PLC ±-		APPLICATION SPEC 114-5148	RESTRICTED TO -		
2 PLC ±-		WEIGHT -	SCALE 2:1		
3 PLC ±-		CUSTOMER DRAWING	SHEET 2 OF 3		
4 PLC ±-			REV C		
ANGLES ±-					
MATERIAL -					
FINISH -					

SEE SHEET 1 OF 3

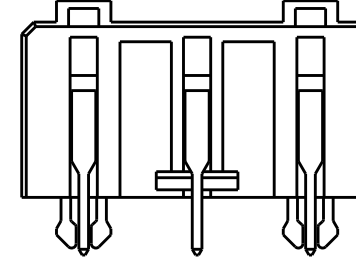
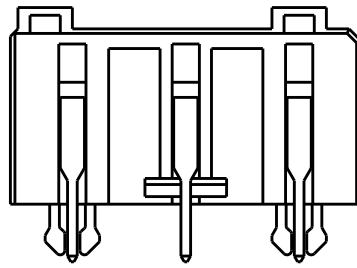
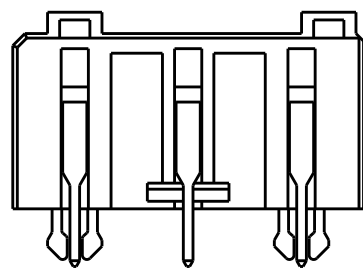
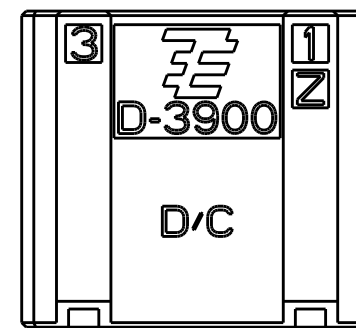
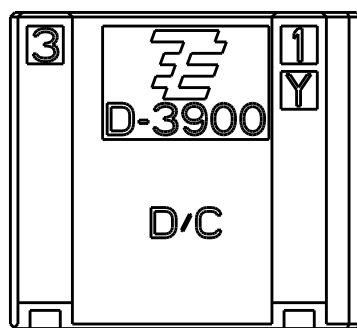
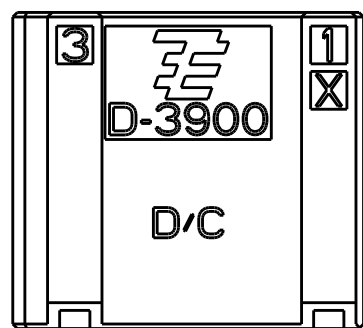
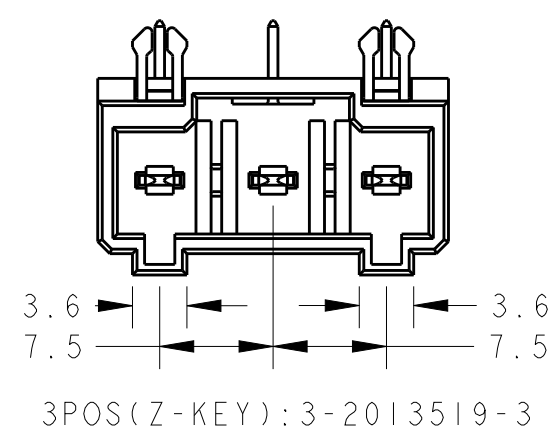
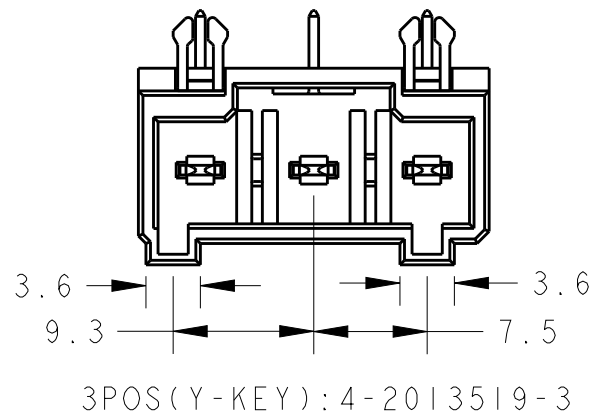
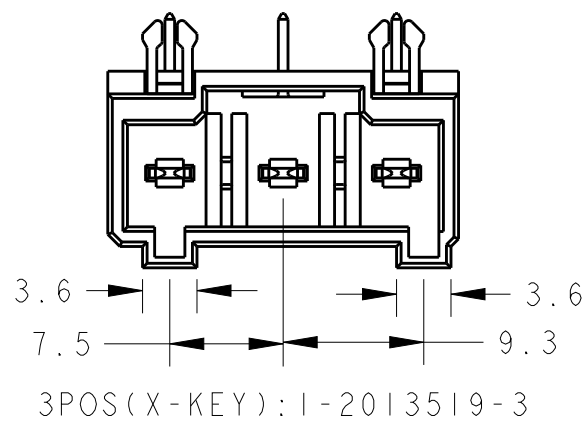
THIS DRAWING IS UNPUBLISHED.

RELEASED FOR PUBLICATION

20

© COPYRIGHT 20 BY Tyco Electronics Japan G.K. ALL RIGHTS RESERVED.

LOC	DIST	REVISIONS			
P	LTR	DESCRIPTION	DATE	DWN	APVD
J	-	SEE SHEET 1			



THIS DRAWING IS A CONTROLLED DOCUMENT.

DIMENSIONS:  
mm

TOLERANCES UNLESS OTHERWISE SPECIFIED:

- 0 PLC ±-
- 1 PLC ±-
- 2 PLC ±-
- 3 PLC ±-
- 4 PLC ±-
- ANGLES ±-

MATERIAL

FINISH

DWN T. KUDO 21APR2008

CHK S. MANABE 21APR2008

APVD S. MANABE 21APR2008

PRODUCT SPEC 108-78400, 5349

APPLICATION SPEC 114-5148

WEIGHT -

CUSTOMER DRAWING



NAME  
DYNAMIC D3900S 7.5mmPITCH  
HDR ASSY (H-TYPE)  
3-10POS TYPE-A

SIZE	CAGE CODE	DRAWING NO	RESTRICTED TO
------	-----------	------------	---------------

A3	00779	C-2013519	-
----	-------	-----------	---

SCALE	SHEET	OF	REV
-------	-------	----	-----

2:1	3	3	C
-----	---	---	---

SEE SHEET 1 OF 3

## X-ON Electronics

Largest Supplier of Electrical and Electronic Components

*Click to view similar products for [Headers & Wire Housings](#) category:*

*Click to view products by [TE Connectivity](#) manufacturer:*

Other Similar products are found below :

[892-18-020-10-001101](#) [58102-G61-06LF](#) [582553-1](#) [0009485154](#) [009176003701906](#) [0050291907](#) [LY20-4P-DT1-P1E-BR](#) [02.125.8002.8](#)  
[609-3404](#) [61062-3](#) [61082-181009](#) [622-3653LF](#) [63453-116](#) [636-1030](#) [636-1427](#) [636-3427](#) [636-4007](#) [641938-9](#) [641991-4](#) [644827-2](#) [65817-](#)  
[010LF](#) [65817-015LF](#) [65863-015LF](#) [66207-023LF](#) [67095-007LF](#) [67601157](#) [68645-018](#) [68648-049](#) [70.362.1628.0](#) [70-4210](#) [70-4226B](#) [70-](#)  
[4853B](#) [707-5020](#) [707-5028](#) [71.350.2428.0](#) [71918-208LF](#) [71961-016LF](#) [733-134](#) [733-162](#) [754199-000](#) [760-3052](#) [79531-3000](#) [FCN-](#)  
[360C032-B](#) [FCN-367T-T012/H](#) [FCN-723D010/2](#) [80.063.4001.1](#) [800-90-001-10-001000](#) [800-90-010-10-002000](#) [801-43-002-10-013000](#)  
[801-43-006-10-002000](#)