

HIRSCHMANN MOBILITY

DVB-T (UHF Band IV/V) Adhesive Antenna



DVB 4779 FL
Pt no.
920-359-002

- Self-adhesive film antenna for TV reception (DVB-T/DVB-T2) with amplifier
- Especially designed for mounting on rear car window glass

Subject to alterations

Technical data

Dimensions film	256 x 36 mm / 10.08 x 1.42 in.
Dimensions amplifier housing	56 x 27 mm / 2.2 x 1.06 in.
Operating temperature range	-40 - +85 °C / -40 - 185 °F
Frequency range	470 - 862 MHz
DC voltage	5 ±0,5 V
DC current	50 ±10 mA
Gain of LNA amplification	typ. 20 dB
Impedance	50 Ohm
Noise figure	1.4 dB
OIP 3	135 dBμV
Cable type	RG 174
Cable length	5000 +50 mm / 197 +2 in.
Connector	F-connector acc. IEC 169-24

Remark

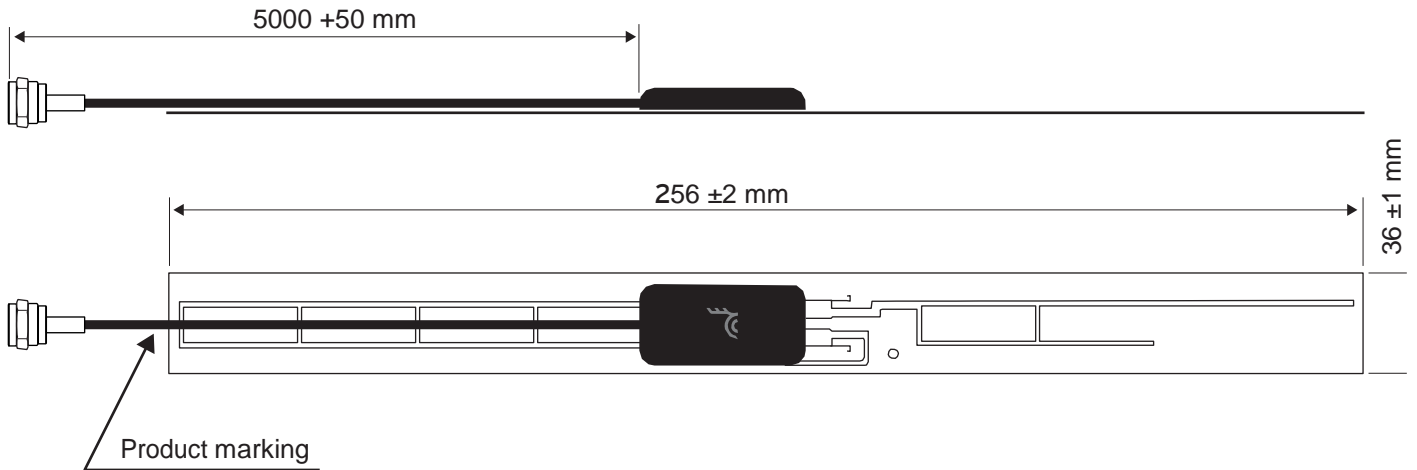
Any potential discoloration of the antenna caused by material properties and do not constitute a lack of quality

DVB-T (UHF Band IV/V) ADHESIVE ANTENNA

DVB 4779 FL Pt no. 920-359-002

Subject to alterations

Technical drawings



www.te.com/hirschmann-mobility

hirschmann-mobility@te.com

TE, TE Connectivity, TE connectivity (logo), and EVERY CONNECTION COUNTS are trademarks.
Hirschmann is a trademark.

The information given herein, including drawings, illustrations and schematics which are intended for illustration purposes only, is believed to be reliable. However, TE Connectivity makes no warranties as to its accuracy or completeness and disclaims any liability in connection with its use. TE Connectivity's obligations shall only be as set forth in TE Connectivity's Standard Terms and Conditions of Sale for this product and in no case will TE Connectivity be liable for any incidental, indirect or consequential damages arising out of the sale, resale, use or misuse of the product. Users of TE Connectivity products should make their own evaluation to determine the suitability of each such product for the specific application.

© 2019 TE Connectivity Ltd. family of companies All Rights Reserved.

X-ON Electronics

Largest Supplier of Electrical and Electronic Components

Click to view similar products for [Antennas](#) category:

Click to view products by [TE Connectivity](#) manufacturer:

Other Similar products are found below :

[GAN30084EU](#) [930-033-R](#) [GW17.07.0250E](#) [1513563-1](#) [EXE902SM](#) [APAMPG-117](#) [MAF94383](#) [W3908B0100](#) [W6102B0100](#) [YE572113-30RSMM](#) [108-00014-50](#) [66089-2406](#) [SPDA17RP918](#) [A09-F8NF-M](#) [A09-F5NF-M](#) [RGFRA1903041A1T](#) [W3593B0100](#) [W3921B0100](#) [SIMNA-868](#) [SIMNA-915](#) [SIMNA-433](#) [W1044](#) [W1049B090](#) [A75-001](#) [WTL2449CQ1-FRSMM](#) [CPL9C](#) [EXB148BN](#) [0600-00060](#) [TRA9020S3PBN-001](#) [Y4503](#) [GD5W-28P-NF](#) [MA9-7N](#) [GD53-25](#) [GD5W-21P-NF](#) [C37](#) [MAF94051](#) [MA9-5N](#) [EXD420PL](#) [B1322NR](#) [QWFTB120](#) [MAF94271](#) [MAF94300](#) [GPSMB301](#) [FG4403](#) [AO-AGSM-OM54](#) [5200232](#) [MIKROE-2349](#) [WCM.01.0111](#) [MIKROE-2393](#) [MIKROE-2352](#)