

# HIRSCHMANN MOBILITY



# CELLULAR (2G/3G/4G)/ GNSS Screw Antenna

**CGN 7026 LP S/series**

Pt no.

**920-626-...**

- Combination antenna for positioning and data-services
- Terrestrial based transmission and satellite-based positioning
- Embedded high performance LNA with dual feed ceramic patch antenna and phase shift network for optimized cross polarization discrimination(XPD)
- Screw mounting on metallic and non metallic ground
- Designed for installation in harsh environment

**Some technical optimization with minor effect to the overall performance of this product are still pending. This document will be updated according the finalization of the optimization measures without prior information.**

Subject to alterations

## Technical data

Dimensions (without rod)	124mm x 80mm x 31 mm
Weight	ca. 165 g
Temperature range	-40 – +85 °C / -40 – +185 °F
Protection class	IP6k6 (acc. ISO 20653)

### Cellular

Frequency range	Low: 698 - 960 MHz High: 1710 - 2690 MHz
Services	2G: GSM 850/900 MHz GSM 1800/1900 MHz 3G: UMTS 4G: LTE-bands 1 – 10, 12 – 20, 23, 25 26 – 30 33 – 41, 44
Impedance	50 Ohm
VSWR	≤ 2,0
Gain	0 dBi <sup>2)</sup>
Load capacity	max. 10 W pulsed acc. GSM standard
Diagnostic resistor	10 kOhm

### GNSS

Frequency range	GPS (L1): 1563 – 1587 MHz Galileo (E1): 1559 – 1591 MHz Beidou (B1C): 1559 – 1591 MHz GLONASS (G1): 1593 – 1610 MHz
Impedance	50 Ohm
VSWR	≤ 2,0
Gain	1 dBi <sup>1)</sup>
Amplification	27 ± 1 dB
Noise figure (50 Ohm)	≤ 2,2 dB
Voltage supply	3,0 – 5,5 VDC (remotely fed)
Current consumption	24 ±1 mA @ 5 V

<sup>1)</sup> dBi: referenced to an isotropic radiator, circular polarization

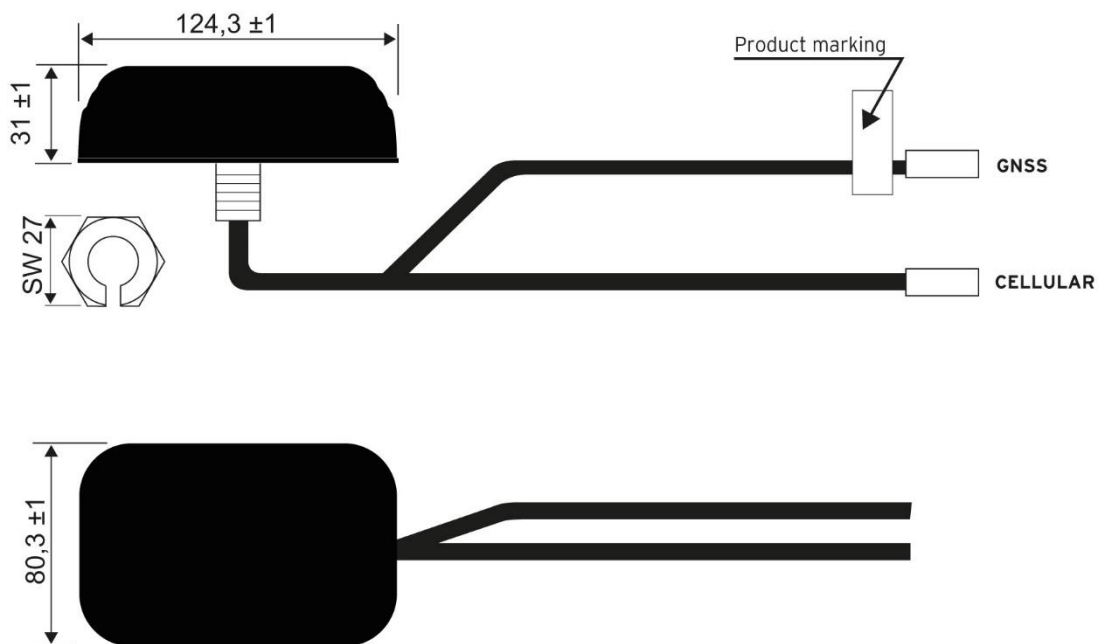
<sup>2)</sup> dBi: referenced to an isotropic radiator

# CELLULAR (2G/3G/4G)/ GNSS SCREW ANTENNA

CGN 7026 LP S/series Pt no. 920-626-...

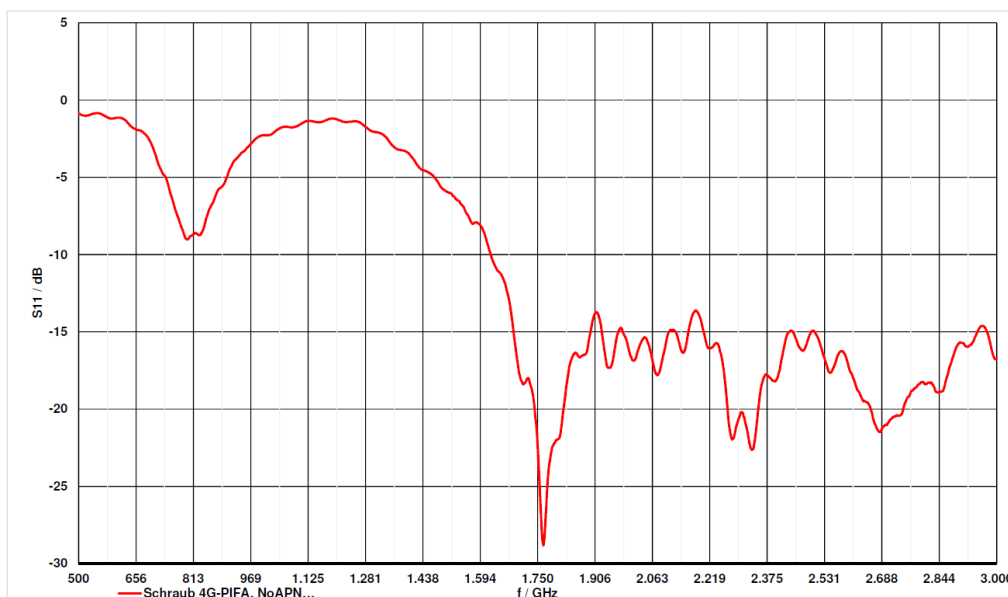
Versions		Cable type	CELL		GNSS	
920-626-001	CGN 7026 LP S/0.2	RG 174	200 mm	FAKRAm, Code D, bordeaux	200 mm	FAKRAm, Code C, blue
920-626-002	CGN 7026 LP S/3.0	RG 174	3000 mm	FAKRaf, Code D, bordeaux	3000 mm	FAKRaf, Code C, blue

## Technical drawings



## Antenna diagrams

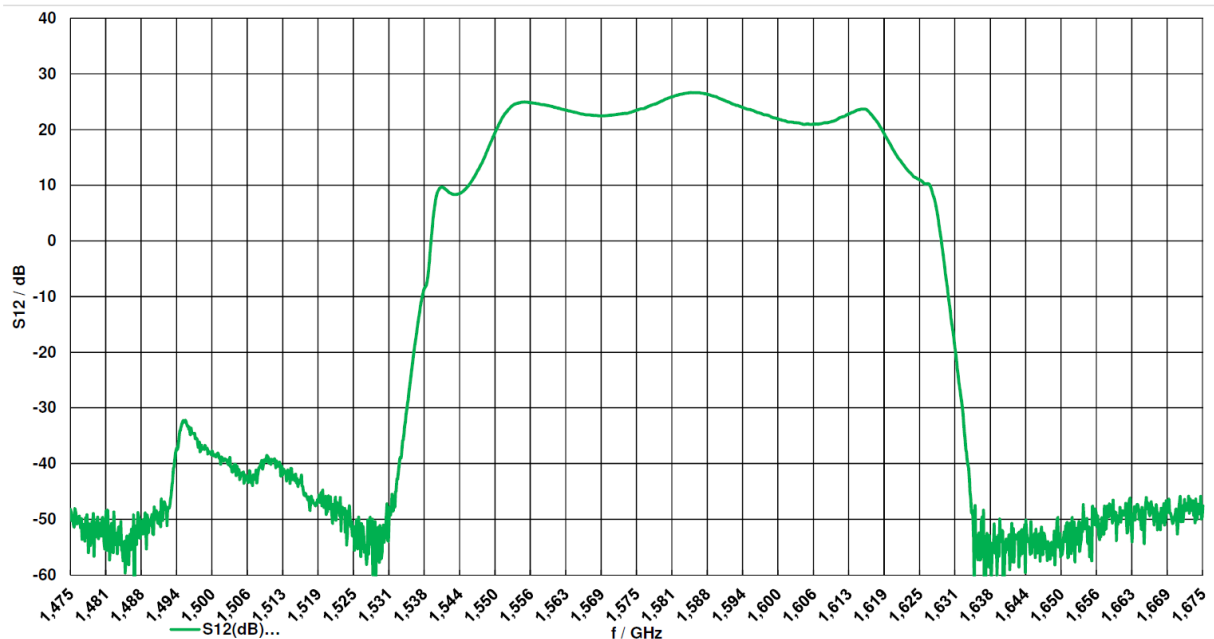
Typ. VSWR ( $S_{11}$ ) Cellular bands



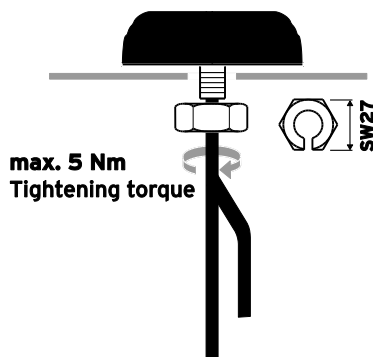
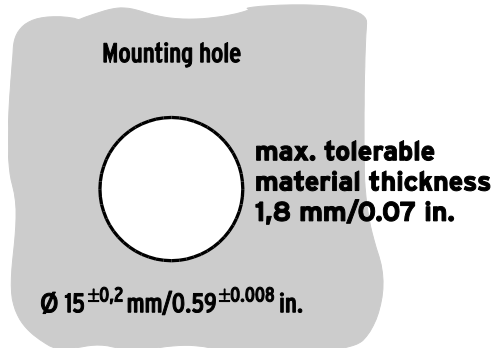
# CELLULAR (2G/3G/4G)/ GNSS SCREW ANTENNA

CGN 7026 LP S/series Pt no. 920-626-...

## Typ. gain ( $S_{12}$ ) GNSS-LNA



## Installation



[www.te.com/hirschmann-mobility](http://www.te.com/hirschmann-mobility)

[hirschmann-mobility@te.com](mailto:hirschmann-mobility@te.com)

TE, TE Connectivity, TE connectivity (logo), and EVERY CONNECTION COUNTS are trademarks.  
Hirschmann is a trademark.

LTE, GSM, UMTS, GLONASS and FAKRA are trademarks.

The information given herein, including drawings, illustrations and schematics which are intended for illustration purposes only, is believed to be reliable. However, TE Connectivity makes no warranties as to its accuracy or completeness and disclaims any liability in connection with its use. TE Connectivity's obligations shall only be as set forth in TE Connectivity's Standard Terms and Conditions of Sale for this product and in no case will TE Connectivity be liable for any incidental, indirect or consequential damages arising out of the sale, resale, use or misuse of the product. Users of TE Connectivity products should make their own evaluation to determine the suitability of each such product for the specific application.

© 2019 TE Connectivity Ltd. family of companies All Rights Reserved.

## X-ON Electronics

Largest Supplier of Electrical and Electronic Components

*Click to view similar products for [Antennas](#) category:*

*Click to view products by [TE Connectivity](#) manufacturer:*

Other Similar products are found below :

[GAN30084EU](#) [930-033-R](#) [GW17.07.0250E](#) [1513563-1](#) [EXE902SM](#) [APAMPG-117](#) [MAF94383](#) [W3908B0100](#) [W6102B0100](#) [YE572113-30RSMM](#) [108-00014-50](#) [66089-2406](#) [SPDA17RP918](#) [A09-F8NF-M](#) [A09-F5NF-M](#) [RGFRA1903041A1T](#) [W3593B0100](#) [W3921B0100](#) [SIMNA-868](#) [SIMNA-915](#) [SIMNA-433](#) [W1044](#) [W1049B090](#) [A75-001](#) [WTL2449CQ1-FRSMM](#) [CPL9C](#) [EXB148BN](#) [0600-00060](#) [TRA9020S3PBN-001](#) [GD5W-28P-NF](#) [MA9-7N](#) [GD53-25](#) [GD5W-21P-NF](#) [C37](#) [MAF94051](#) [MA9-5N](#) [EXD420PL](#) [B1322NR](#) [QWFTB120](#) [MAF94271](#) [MAF94300](#) [GPSMB301](#) [FG4403](#) [AO-AGSM-OM54](#) [5200232](#) [MIKROE-2349](#) [WCM.01.0111](#) [MIKROE-2393](#) [MIKROE-2352](#) [MIKROE-2350](#)