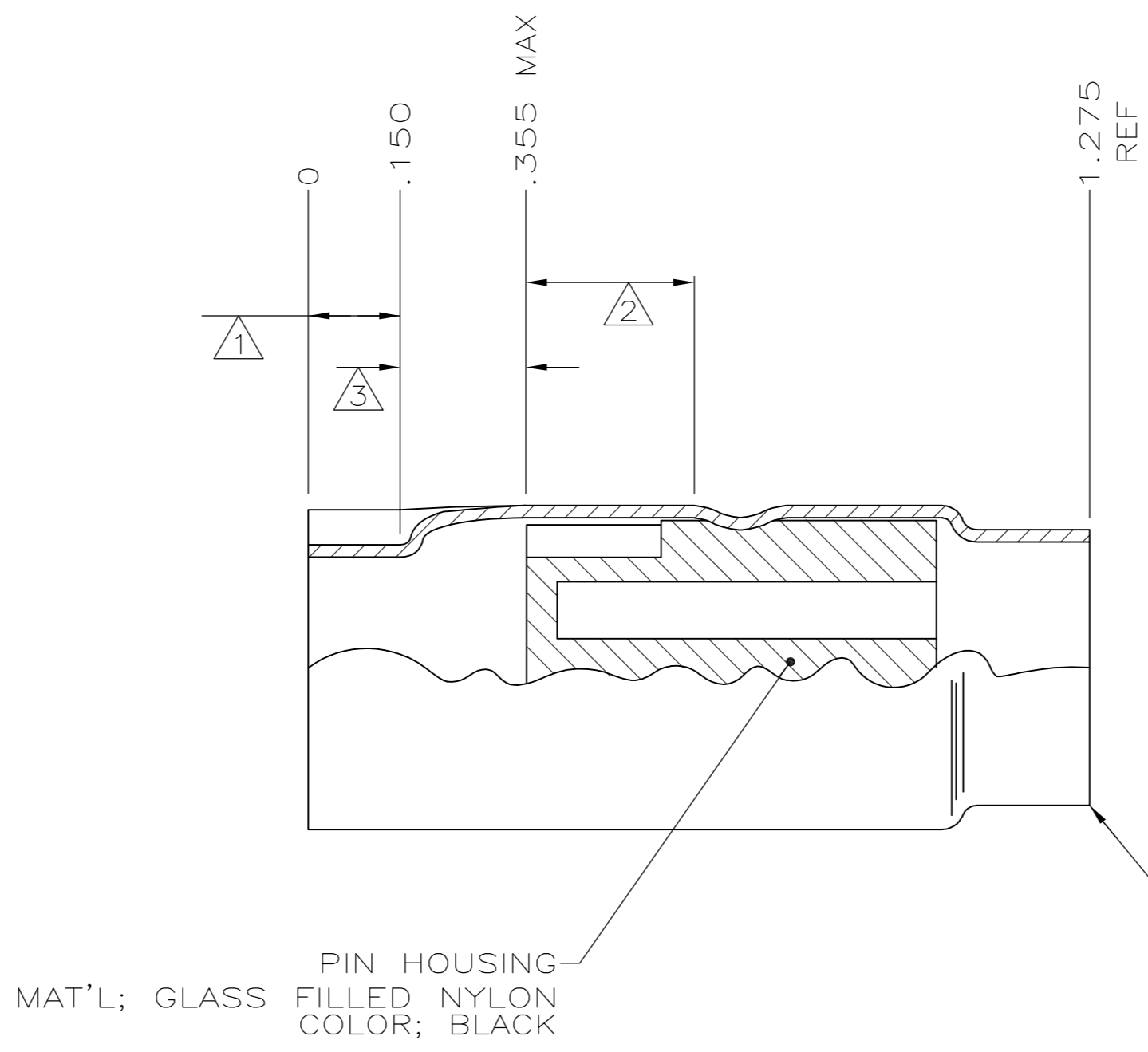
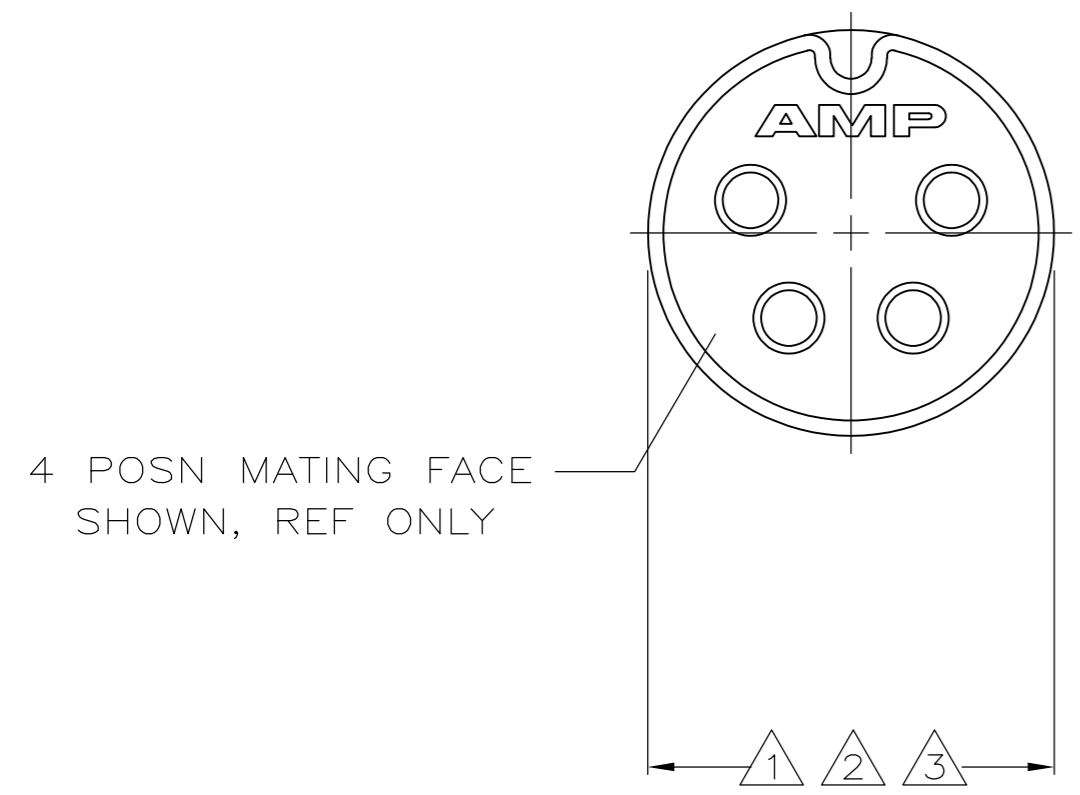


THIS DRAWING IS UNPUBLISHED. RELEASED FOR PUBLICATION
 © COPYRIGHT - By - ALL RIGHTS RESERVED.

LOC		DIST		REVISIONS			
P	LTR	DESCRIPTION	DATE	DWN	APVD		
GP	00	J1	REVISED PER ECO-11-005033	23MAR11	RK HMR		



- ① SHELL DIAMETER IN THIS AREA TO BE $.529 \pm .005$ MEASURED ANYWHERE EXCEPT OVER KEY.
- ② SHELL DIAMETER IN THIS AREA TO BE $.531 \pm .003$.
- ③ SHELL DIAMETER IN KEY TRANSITION AREA MAY NOT EXCEED $.535$ AT ANY MEASUREMENT POINT.
- ④ TIN-LEAD.
- ⑤ TIN.

	⑤	CIRCULAR DIN SUB-ASSEMBLY, 8 POSITION	9-212437-2
	⑤	CIRCULAR DIN SUB-ASSEMBLY, 6 POSITION	9-212437-1
	⑤	CIRCULAR DIN SUB-ASSEMBLY, 5 POSITION	9-212437-0
	⑤	CIRCULAR DIN SUB-ASSEMBLY, 4 POSITION	212437-7
OBSOLETE	④	CIRCULAR DIN SUB-ASSEMBLY, 8 POSITION	212437-6
OBSOLETE	④	CIRCULAR DIN SUB-ASSEMBLY, 7 POSITION	212437-5
OBSOLETE	④	CIRCULAR DIN SUB-ASSEMBLY, 6 POSITION	212437-4
OBSOLETE	④	CIRCULAR DIN SUB-ASSEMBLY, 5 POSITION	212437-3
OBSOLETE	④	CIRCULAR DIN SUB-ASSEMBLY, 4 POSITION	212437-2
OBSOLETE	④	CIRCULAR DIN SUB-ASSEMBLY, 3 POSITION	212437-1
SHIELD FINISH		DESCRIPTION	PART NUMBER

THIS DRAWING IS A CONTROLLED DOCUMENT.		DWN 11-10-05 L. Varela - Dock5	TE TE Connectivity															
DIMENSIONS: INCHES		CHK 11-10-05 C. ROHDE																
TOLERANCES UNLESS OTHERWISE SPECIFIED:		APVD 11-10-05 M. WALMSLEY	NAME CIRCULAR DIN PLUG, SUB-ASSEMBLY															
<table border="1"> <tr><td>0 PLC</td><td>± -</td></tr> <tr><td>1 PLC</td><td>± -</td></tr> <tr><td>2 PLC</td><td>± -</td></tr> <tr><td>3 PLC</td><td>± .010</td></tr> <tr><td>4 PLC</td><td>± -</td></tr> <tr><td>ANGLES</td><td>± -</td></tr> </table>		0 PLC	± -	1 PLC	± -	2 PLC	± -	3 PLC	± .010	4 PLC	± -	ANGLES	± -	PRODUCT SPEC	SIZE	CAGE CODE	DRAWING NO	RESTRICTED TO
0 PLC	± -																	
1 PLC	± -																	
2 PLC	± -																	
3 PLC	± .010																	
4 PLC	± -																	
ANGLES	± -																	
MATERIAL SEE TABLE		FINISH SEE TABLE	WEIGHT -	A2	00779	C=212437	-											
		CUSTOMER DRAWING	SCALE 1:1	SHEET 1 of 1	REV J1													

X-ON Electronics

Largest Supplier of Electrical and Electronic Components

Click to view similar products for [Circular DIN Connectors](#) category:

Click to view products by [TE Connectivity](#) manufacturer:

Other Similar products are found below :

[60KD4M](#) [M83723/76W22326](#) [M83723/78R22327](#) [D38999/26FE99SN L/C](#) [75-190224-28S](#) [7547401103P](#) [75-474014-07L](#) [88-559975-75P](#)
[88-569769-19P](#) [8R3006A18M0033](#) [PT02E1283P](#) [GTC00G-24-7S](#) [PT05SE1832SWLC](#) [PT05SE1832SYLC](#) [GTC030-20-27PW-LC](#)
[GTC030A-20-33S](#) [PT06SE1811SXLC](#) [1211290078](#) [1211810025](#) [1210120122](#) [1210503216](#) [1211290084](#) [1211500027](#) [ACS06AF-16-](#)
[10P\(003\)](#) [D38999/40FB35AN](#) [D38999/40FB35BB](#) [D38999/40WB35BN](#) [D38999/40WD35PN](#) [D38999/40WJ29SN-L/C](#) [D38999/42FB35BN](#)
[D38999/42WB35AB](#) [D38999/42WB35PB-L/C](#) [D38999/42WJ19AN](#) [D38999/44WB35AN](#) [D38999/44WD35BN](#) [D38999/44WH35AN](#)
[D38999/44WJ29BA](#) [D38999/44WJ35PN](#) [D38999/44WJ61BA](#) [D38999/46FJ19SA-L/C](#) [D38999/46FJ29AA](#) [D38999/46FJ29AN](#)
[D38999/46FJ29PN-L/C](#) [D38999/46FJ61BA](#) [D38999/46FJ61SA](#) [D38999/46WF32PN-L/C](#) [D38999/46WF32PN\(LESS CONT](#)
[D38999/46WJ19AA](#) [D38999/46WJ19SA-L/C](#) [D38999/46WJ35BA](#)