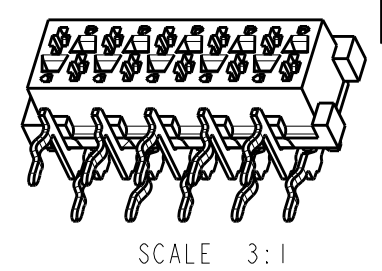
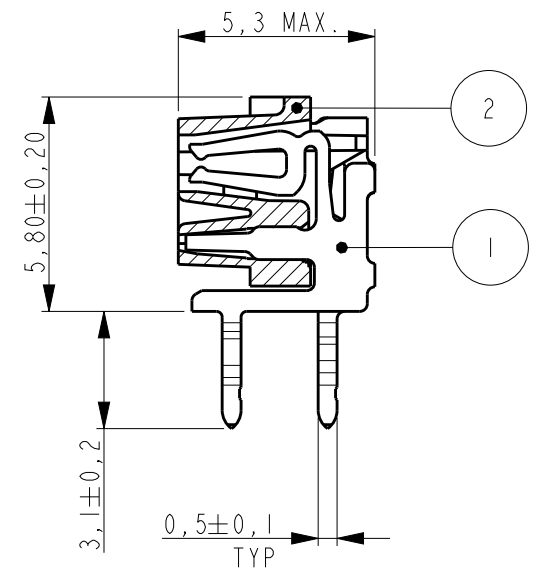
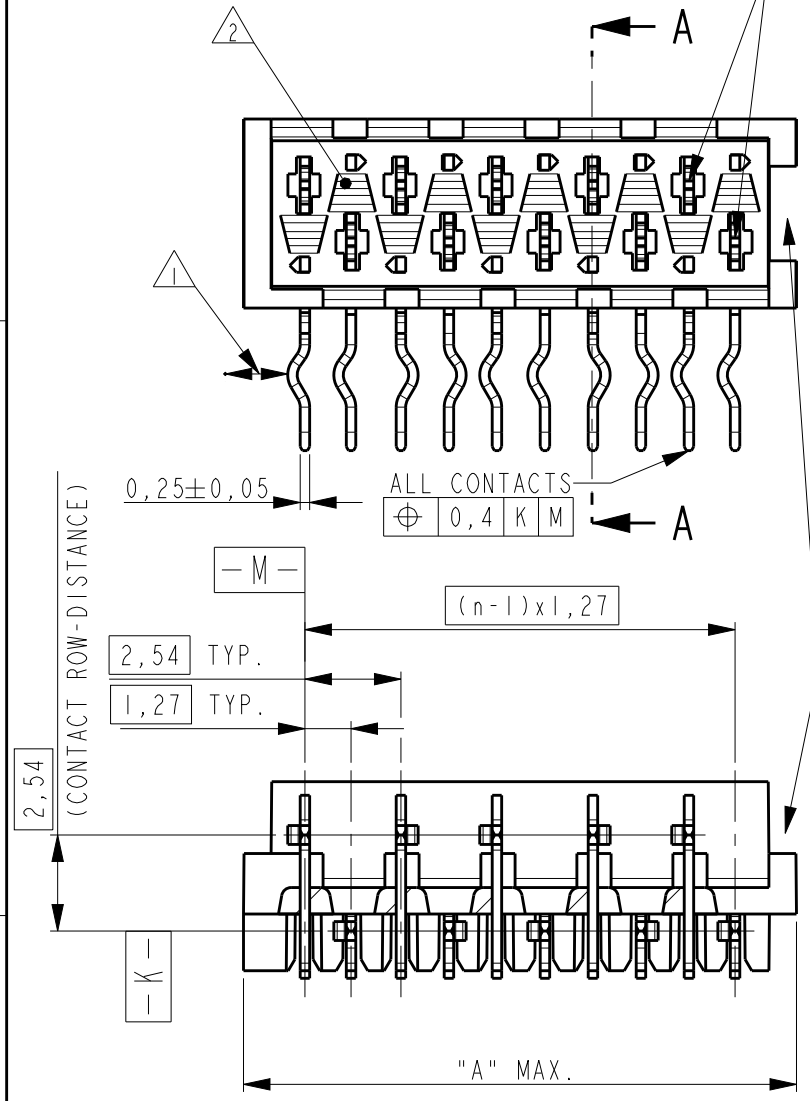


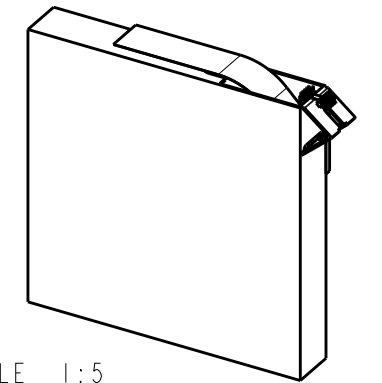
THIS DRAWING IS UNPUBLISHED. RELEASED FOR PUBLICATION
 © COPYRIGHT - BY - ALL RIGHTS RESERVED.

LOC		DIST		REVISIONS			
P	LTR	DESCRIPTION	DATE	DWN	APVD		
H	-						
WI		Adhesive tape width changed back to 6 mm	05FEB2016	SS	PS		

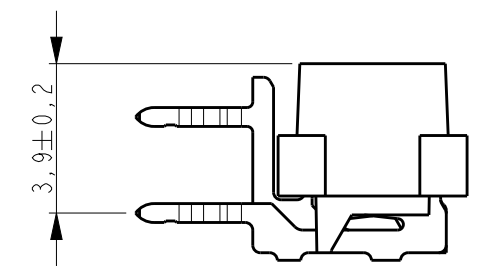
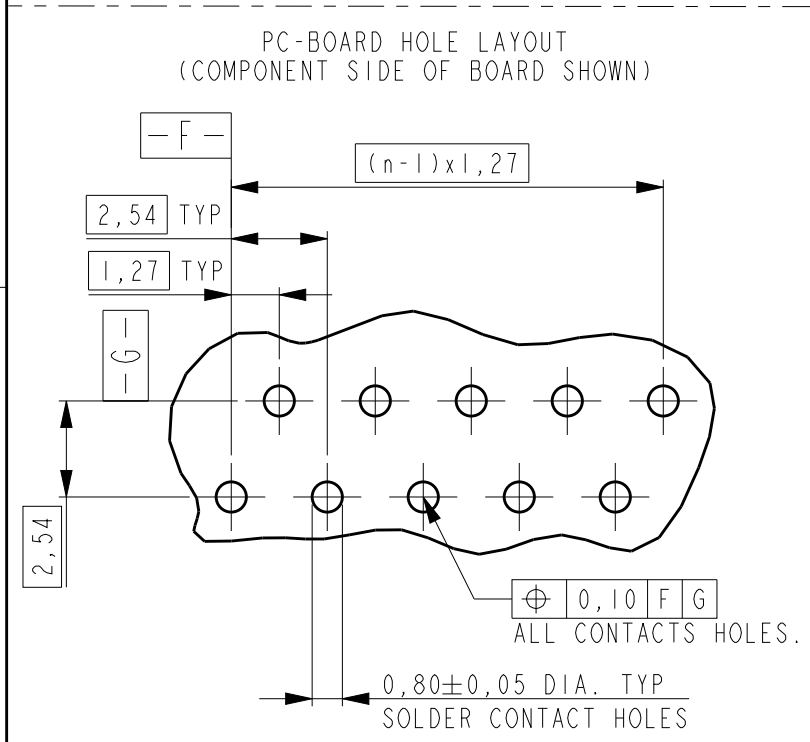
REFERENCE MATING INTERFACE PATTERN:
 1,27 STAGGERED PITCH x 1,5 ROW-DISTANCE.



PARTNUMBER BOX PACKAGING	PARTNUMBER REEL PACKAGING	NR OF POS "n"	DIMENSION "A" MAX
7-215460-4	215460-4	4	7,1
7-215460-6	215460-6	6	9,7
7-215460-8	215460-8	8	12,2
8-215460-0	1-215460-0	10	14,7
8-215460-2	1-215460-2	12	17,3
8-215460-4	1-215460-4	14	19,8
8-215460-6	1-215460-6	16	22,4
8-215460-8	1-215460-8	18	24,9
9-215460-0	2-215460-0	20	27,4

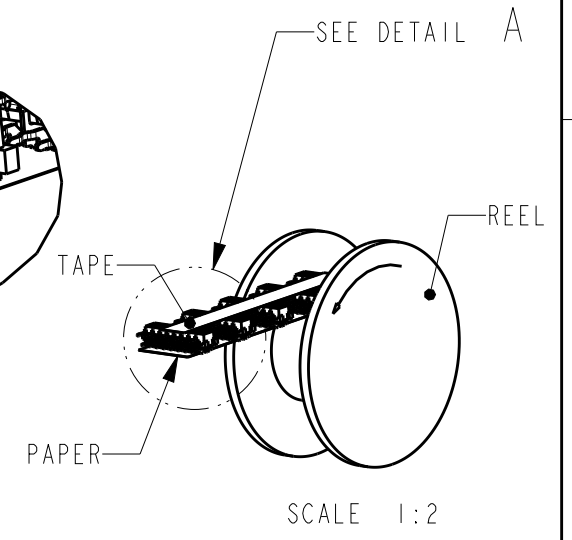
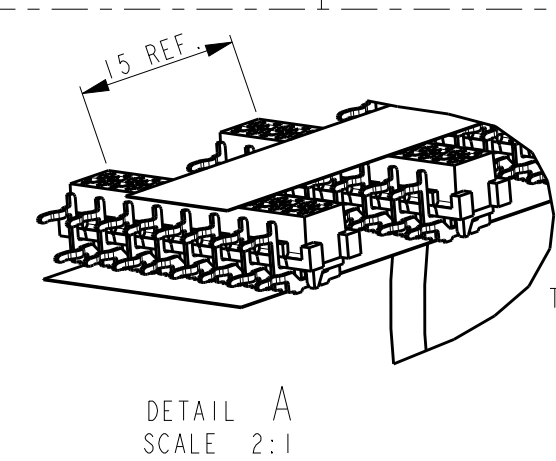


BOX PACKAGING
 250 CONNECTORS PER BOX.
 FOR ALL PARTNUMBERS

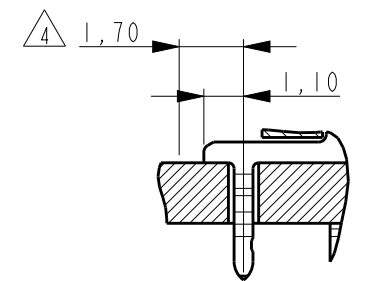


NOTES:

- 1 IN EACH ROW, DIRECTION OF KINKS STARTS RANDOM. IN EACH ROW, SEQUENTIAL CONTACTS HAVE OPPOSITE KINK DIRECTIONS.
- 2 CORING-OUTS FOR MANUFACTURING PURPOSE ONLY. SHAPE MAY VARY, BUT IS NOT FUNCTIONAL FOR THE APPLICATION.
- 3 SHOWN IS A 10 POSITION CONNECTOR.
- 4 THIS AREA IS RESERVED FOR CONTACTS.



REEL PACKAGING
 DEREELING DIRECTION AND CONNECTOR POSITION.
 QUANTITY 2500 CONNECTORS PER REEL FOR ALL PARTNUMBERS,



THIS DRAWING IS A CONTROLLED DOCUMENT.

DIMENSIONS: mm		TOLERANCES UNLESS OTHERWISE SPECIFIED:	
0 PLC	±-	1 PLC	±-
1 PLC	±-	2 PLC	±-
2 PLC	±-	3 PLC	±-
3 PLC	±-	4 PLC	±-
4 PLC	±-	ANGLES	±-
MATERIAL	SEE TABLE	FINISH	SEE TABLE

2	HOUSING	G.F. POLYESTER PBT	RED
1	FEMALE CONTACT	PHOSPHOR BRONZE	TIN OVER NICKEL
ITEM NO.	DESCRIPTION	MATERIAL	FINISH / COLOR
DWN	M. GOSSELINK	TE Connectivity	
CHK	-		
APVD	-		
PRODUCT SPEC	108-19052		
APPLICATION SPEC	-	NAME	CONNECTOR, FEMALE-ON-BOARD SIDE-ENTRY, THRU-HOLE, Micro-MatCh
WEIGHT	-	SIZE	A3
CUSTOMER DRAWING	SCALE 5:1	CAGE CODE	00779
		DRAWING NO	215460
		RESTRICTED TO	-
		SHEET	1 OF 1
		REV	WI

X-ON Electronics

Largest Supplier of Electrical and Electronic Components

Click to view similar products for [Headers & Wire Housings](#) category:

Click to view products by [TE Connectivity](#) manufacturer:

Other Similar products are found below :

[892-18-020-10-001101](#) [58102-G61-06LF](#) [582553-1](#) [0009485154](#) [009176003701906](#) [0050291907](#) [LY20-4P-DT1-P1E-BR](#) [02.125.8002.8](#)
[609-3404](#) [61062-3](#) [61082-181009](#) [622-3653LF](#) [63453-116](#) [636-1030](#) [636-1427](#) [636-3427](#) [636-4007](#) [641938-9](#) [641991-4](#) [644827-2](#) [65817-](#)
[010LF](#) [65817-015LF](#) [65863-015LF](#) [66207-023LF](#) [67095-007LF](#) [67601157](#) [68645-018](#) [68648-049](#) [70.362.1628.0](#) [70-4210](#) [70-4226B](#) [70-](#)
[4853B](#) [707-5020](#) [707-5028](#) [71.350.2428.0](#) [71918-208LF](#) [71961-016LF](#) [733-134](#) [733-162](#) [754199-000](#) [760-3052](#) [79531-3000](#) [FCN-](#)
[360C032-B](#) [FCN-367T-T012/H](#) [FCN-723D010/2](#) [80.063.4001.1](#) [800-90-001-10-001000](#) [800-90-010-10-002000](#) [801-43-002-10-013000](#)
[801-43-006-10-002000](#)