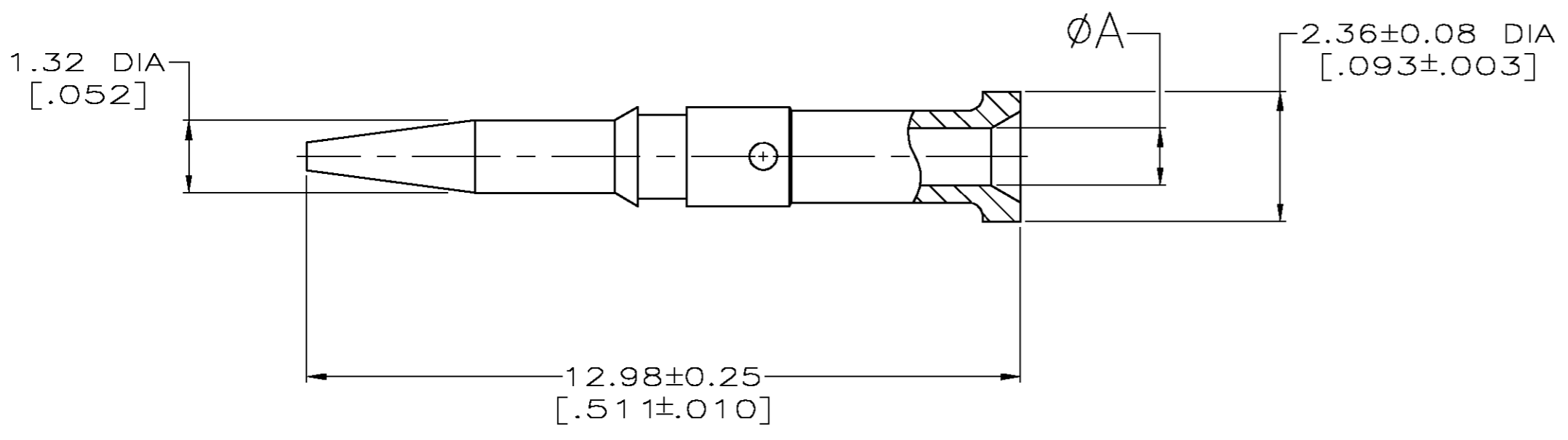


THIS DRAWING IS UNPUBLISHED. RELEASED FOR PUBLICATION
 © COPYRIGHT BY TYCO ELECTRONICS CORPORATION. ALL RIGHTS RESERVED.

LOC	DIST	REVISIONS					
		P	LTR	DESCRIPTION	DATE	DWN	APVD
AJ	16		H	REV PER OS14-0336-04	09-28-04	JDP	JL



- 1 TIN-LEAD PL PER ASTM-B-545
- 2 GOLD PL PER MIL-G-45204
- 3 SILVER PL PER QQ-S-365
- 4 TIN PL PER ASTM-B-545 WITH SUPPLEMENTAL ANTI-FRETTING LUBRICANT.
- 5 BRASS PER ASTM B-16

OBSOLETE

4	0.38 [.015]	9-221607-4
4	0.61 [.024]	9-221607-3
4	0.79 [.031]	9-221607-2
4	0.79 [.031]	9-221607-1
4	0.99 [.039]	9-221607-0
2	1.19 [.047]	2-221607-8
3	0.38 [.015]	2-221607-6
2	0.38 [.015]	2-221607-5
1	0.38 [.015]	2-221607-4
2	0.61 [.024]	2-221607-2
3	0.61 [.024]	2-221607-1
1	0.61 [.024]	2-221607-0
3	1.12 [.044]	1-221607-8
1	1.12 [.044]	1-221607-7
2	1.12 [.044]	1-221607-6
2	0.79 [.031]	1-221607-4
3	0.79 [.031]	221607-8
3	0.99 [.039]	221607-7
2	0.79 [.031]	221607-6
2	0.99 [.039]	221607-5
1	0.79 [.031]	221607-4
1	0.99 [.039]	221607-2

FINISH ØA PART #

THIS DRAWING IS A CONTROLLED DOCUMENT.		DWN M. SNEED 5-10-90	Tyco Electronics Corporation Harrisburg, Pa 17105-3608	
DIMENSIONS: INCHES		CHK D. LAMAN 7-6-90		
TOLERANCES UNLESS OTHERWISE SPECIFIED:		APVD	NAME	
0 PLC ± -		PRODUCT SPEC	CONTACT, MALE BNC	
1 PLC ± -		APPLICATION SPEC	SIZE CAGE CODE DRAWING NO	
2 PLC ± -		WEIGHT	A2 00779 C=221607	
3 PLC ± .002		CUSTOMER DRAWING	SCALE 10:1	SHEET 1 OF 1
4 PLC ± -			REV H	
ANGLES ± -				
FINISH				
SEE TABLE				

X-ON Electronics

Largest Supplier of Electrical and Electronic Components

Click to view similar products for te connectivity manufacturer:

Other Similar products are found below :

[570416-000](#) [CLTEQ-M81CE-SSRELAY-4-20V](#) [4-1633138-8](#) [D38999/24FJ4AN](#) [4-1195131-0](#) [650069-000](#) [SMD100-2](#) [2EDL4CM](#)
[DTS20W19-11PD-3028](#) [DTS20W19-11PD-3028-LC](#) [DTS20W19-32SD-3028-LC](#) [DTS20W19-32SD-3028](#) [NC6-P104-06](#) [TXR64AB90-](#)
[3616AI](#) [DTS26F21-41HE](#) [DTS26F21-41AE](#) [DTS26F21-41PE-LC](#) [DTS26F21-11SE-3028-LC](#) [D38999/24WF32JE](#) [D38999/24WF32SE-LC](#)
[DTS24W19-32HE](#) [D38999/20JB35HA](#) [D38999/24WJ20PA](#) [164-8033-08](#) [D38999/24FF32JE](#) [D38999/24FF32SE-LC](#) [D38999/24WF32JB](#)
[D38999/24WG11HA](#) [D38999/24WG11HN](#) [MS27467T21F11H](#) [DJT16E21-11HA](#) [DTS24F19-32HE](#) [DTS20W19-32SA-3028-LC](#) [DTS24F19-](#)
[11SC-3028-LC](#) [DTS24F19-11SC-3028](#) [DJT14E13-98HB](#) [D38999/20WC8BB](#) [1-330599-5](#) [DTS24F21-41HN-LC](#) [DTS24F21-41HN](#)
[DTS24F21-41AN](#) [DTS24F21-39HN](#) [DTS24F21-41PN-LC](#) [AFD50-10-6SN-1A-LC](#) [DJT10F17-26HC](#) [DTS24W19-32HB](#) [ACT20JE99HA](#)
[DJT10E17-26HC](#) [DJT10E17-26HN](#) [DJT10F17-26HA](#)