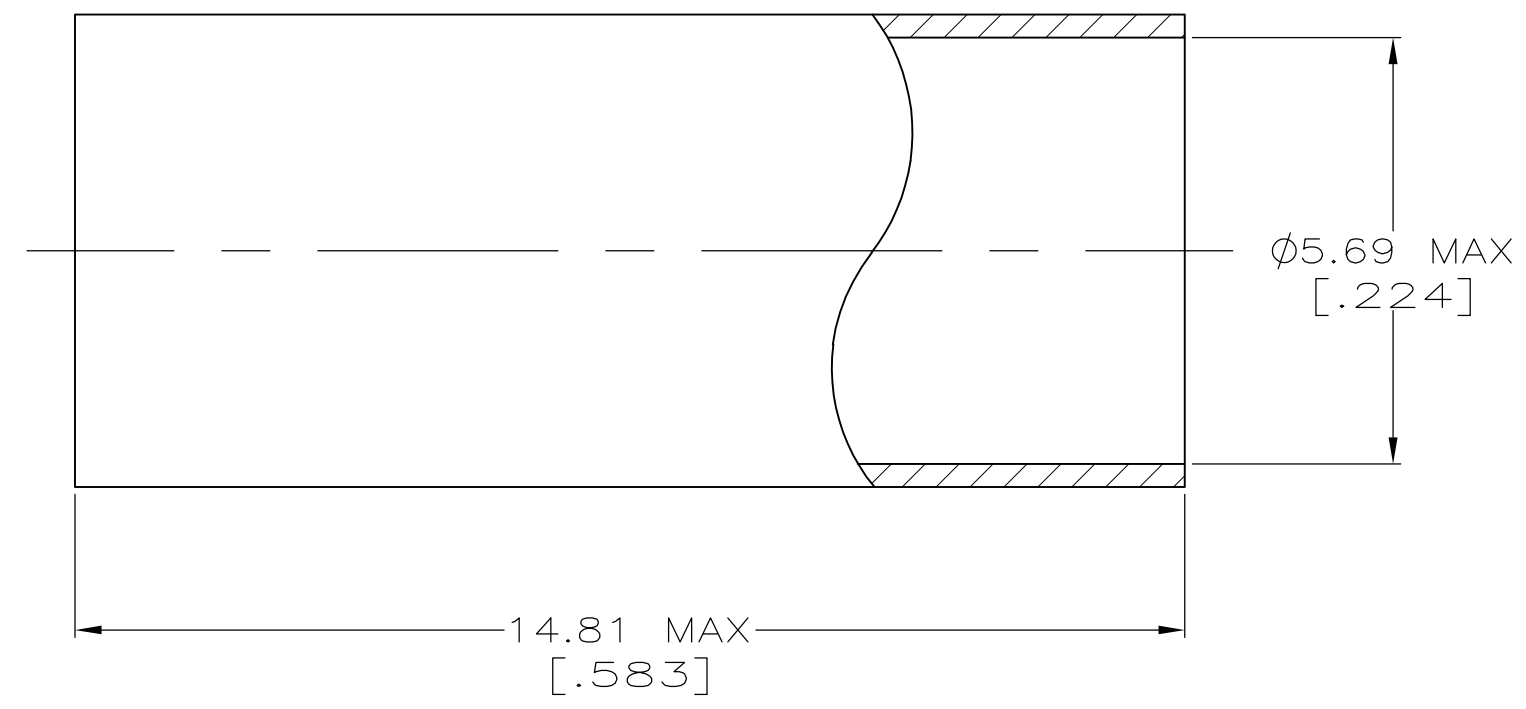


THIS DRAWING IS UNPUBLISHED. RELEASED FOR PUBLICATION  
 © COPYRIGHT - By - ALL RIGHTS RESERVED.

| LOC | DIST | REVISIONS     |         |     |      |
|-----|------|---------------|---------|-----|------|
| P   | LTR  | DESCRIPTION   | DATE    | DWN | APVD |
|     | V    | ECO-14-003590 | 21FEB14 | AM  | MY   |



- 1. COPPER ALLOY
- 2. SILVER PLATE PER QQ-S-365, 5.08 $\mu$ m (.000200) MIN THICKNESS (NON-ROHS).
- 3. TIN-LEAD PLATE PER ASTM-B-545, 2.54 $\mu$ m (.000100) MIN THICKNESS, WITH SUPPLEMENTAL ANTI FRETTING LUBRICANT.
- 4. GOLD PLATE PER MIL-G-45204, 0.76 $\mu$ m (.000030) MIN THICKNESS.
- 5. MATTE TIN PLATE PER MIL-T-10727, 2.54 $\mu$ m (.000100) MIN THICKNESS, WITH SUPPLEMENTAL ANTI FRETTING LUBRICANT.
- 6. SILVER PLATE 5.08 $\mu$ m (.000200) MIN THICKNESS, (ROHS).

|        |             |
|--------|-------------|
| 6      | 9-225382-1  |
| 5      | 9-225382-0  |
| 4      | 225382-5    |
| 3      | 225382-3    |
| 2      | 225382-2    |
| FINISH | PART NUMBER |

|   |                     |                                     |                 |           |            |
|---|---------------------|-------------------------------------|-----------------|-----------|------------|
| THIS DRAWING IS A CONTROLLED DOCUMENT.                                      |                     | DWN<br>MICHAEL E. COWHER<br>14NOV95 | TE Connectivity |           |            |
| DIMENSIONS:<br>mm [INCHES]  |                     | CHK<br>FRANK MORANA<br>14NOV95      |                 |           |            |
| TOLERANCES UNLESS OTHERWISE SPECIFIED:                                      |                     | APVD<br>FRANK MORANA<br>14NOV95     | NAME<br>FERRULE |           |            |
|   |                     | PRODUCT SPEC                        | RESTRICTED TO   |           |            |
| 0 PLC ± -<br>1 PLC ± -<br>2 PLC ± -<br>3 PLC ± -<br>4 PLC ± -<br>ANGLES ± - |                     | APPLICATION SPEC                    | SIZE            | CAGE CODE | DRAWING NO |
| MATERIAL<br>SEE NOTES   | FINISH<br>SEE NOTES | WEIGHT<br>-                         | A3              | 00779     | C-225382   |
|   |                     | CUSTOMER DRAWING                    | SCALE           | SHEET     | REV        |
|   |                     |                                     | 10:1            | 1 OF 1    | V          |

## X-ON Electronics

Largest Supplier of Electrical and Electronic Components

*Click to view similar products for [RF Connector Accessories](#) category:*

*Click to view products by [TE Connectivity](#) manufacturer:*

Other Similar products are found below :

[89674-0712](#) [F702RX24](#) [FERRULE-174](#) [R141802000](#) [R141805000](#) [R141842000](#) [R161862000](#) [R161862000W](#) [R280752000](#) [R280907000](#)  
[R694261906](#) [RFI21-13](#) [RFI75-13-D2](#) [RFI75-4-D2](#) [AX102906](#) [AX102907](#) [18097-0013](#) [HP-375](#) [HP-500](#) [2098-0294-00](#) [2098-3251-94](#) [KA-](#)  
[81-05](#) [89674-0805](#) [F1](#) [FERRULE-223](#) [202102-11](#) [213337-1](#) [220222-2](#) [24092671A](#) [24092678A](#) [R280468000](#) [R280510000](#) [R282862060](#)  
[RFI155-1](#) [RFI25-12-D3](#) [RFI25-5](#) [RFI25-5-D3](#) [RFI75-12-D2](#) [RFI75-2-D2](#) [RFI75-4-D3](#) [RFI77-6](#) [360HS001M2508M6](#) [4-1532137-4](#) [5-21085-](#)  
[0](#) [105274-1000](#) [111062-0490](#) [112122-SOD-LUG](#) [112-NUT-KNURL](#) [IPP-2014](#) [R280490020](#)