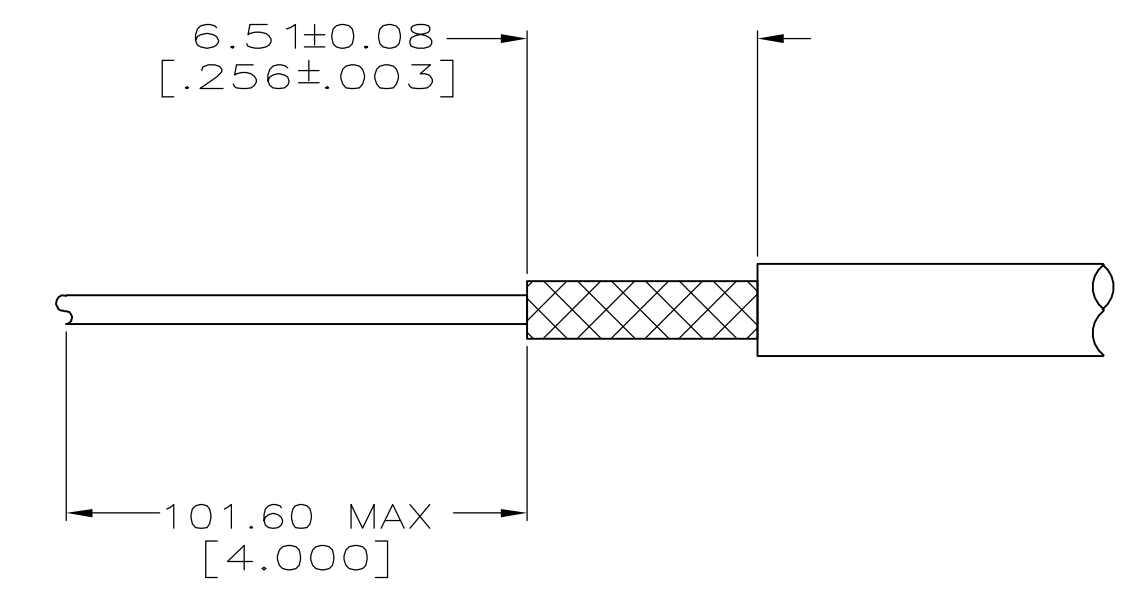
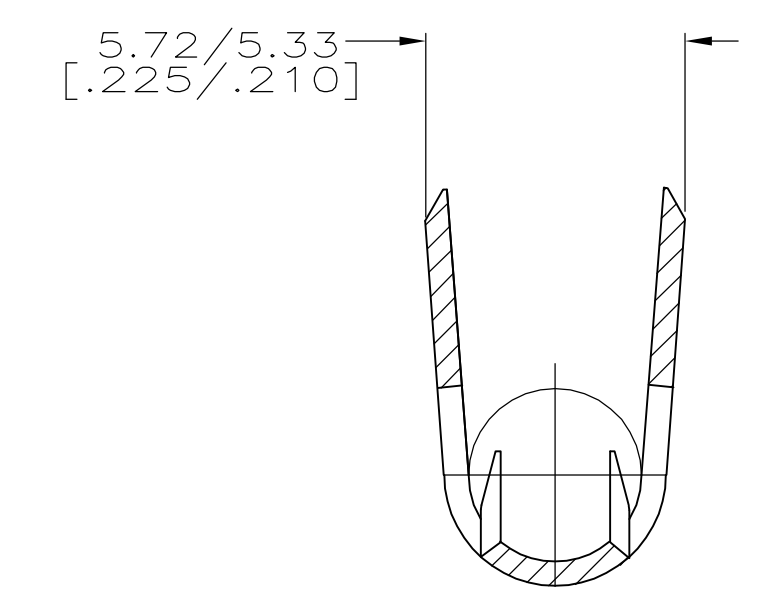


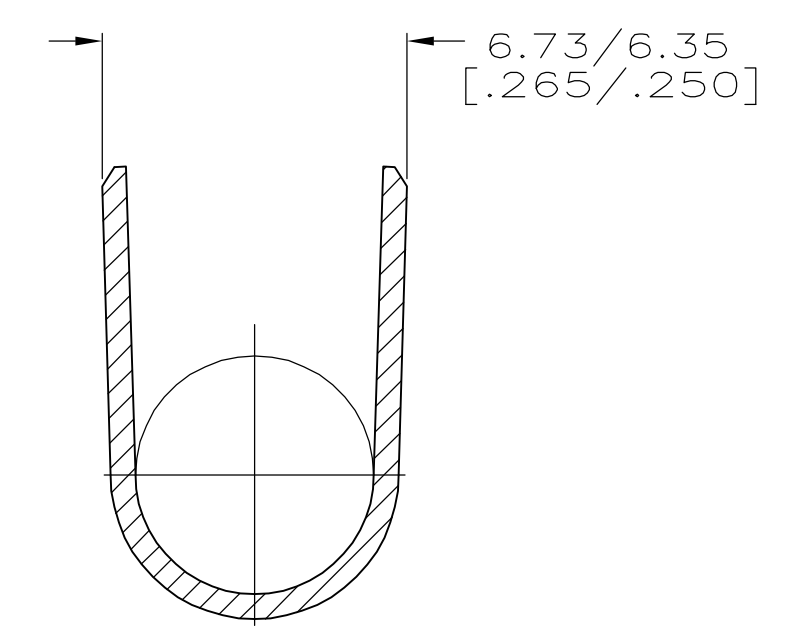
- 1 STAMPED AMP RG-58, 0.79[.031] HIGH CHARACTERS
- 2 WITH OR WITHOUT PICKS
- 3 USE HAND TOOL NO. 220190-1 AND DIESET NO. 220195-1.
- 4 TIN-LEAD PLATE PER ASTM B-545
- 5 TIN PLATE PER ASTM B-545



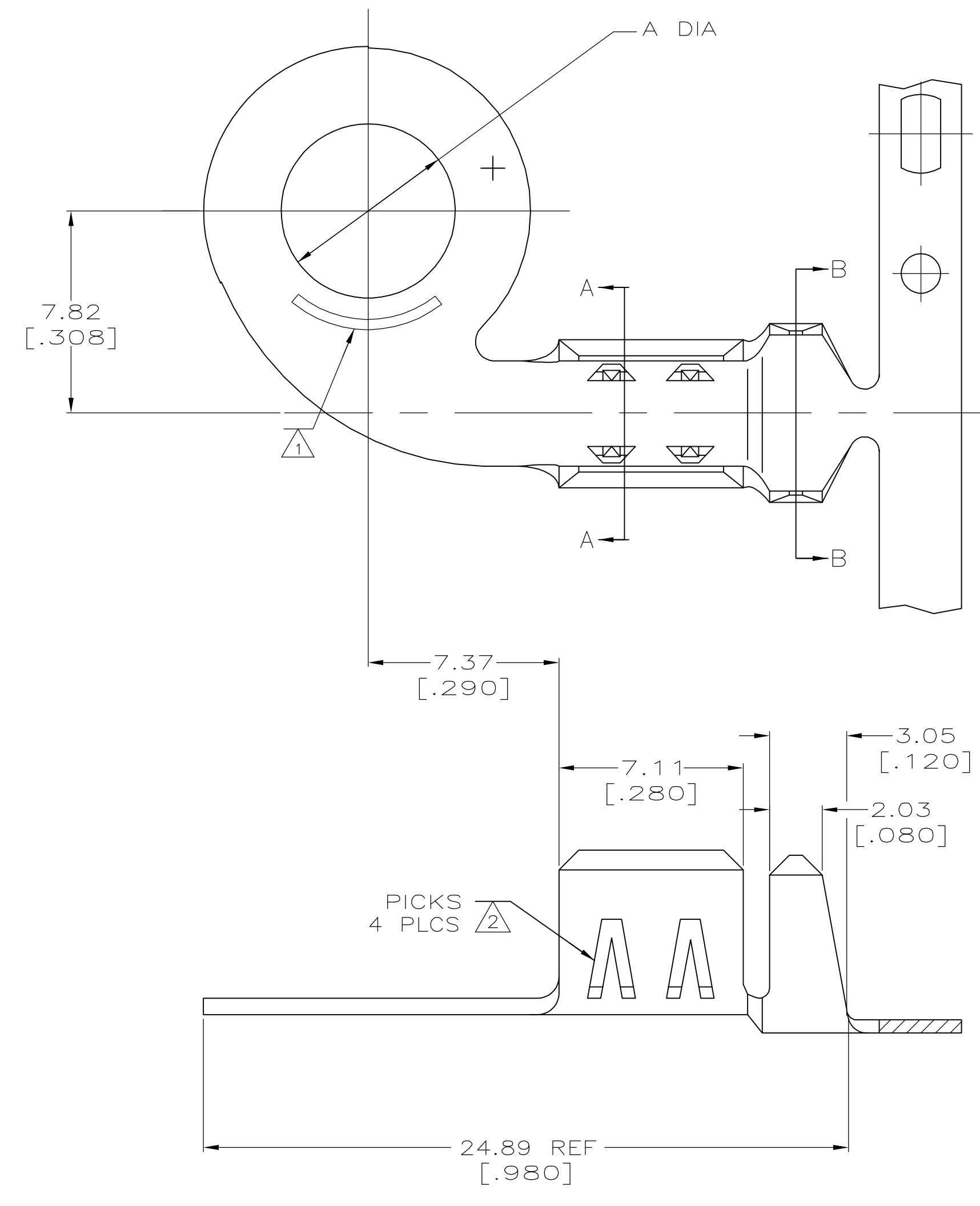
RECOMMENDED STRIP LENGTH



SECTION A-A
ROTATED 90° CW



SECTION B-B
ROTATED 90° CCW



	5	WITH PICKS	4.34[.171]	9-226619-1
	5	WITH PICKS	6.35[.250]	9-226619-0
OBSOLETE	4	WITHOUT PICKS	4.34[.171]	2-226619-1
OBSOLETE	4	WITHOUT PICKS	6.35[.250]	2-226619-0
OBSOLETE	4	WITH PICKS	4.34[.171]	226619-3
OBSOLETE	4	WITH PICKS	6.35[.250]	226619-1
	FINISH	2	A DIM	PART NUMBER

THIS DRAWING IS A CONTROLLED DOCUMENT.

DIMENSIONS: INCHES	TOLERANCES UNLESS OTHERWISE SPECIFIED:	DIN J.DAVIS 29/APR/93	tyco Electronics Tyco Electronics Corporation Harrisburg, Pa 17105-3608
0 PLC ± -	1 PLC ± -	CHK G.MICHAEL 29/APR/93	NAME
2 PLC ± 0.20[.008]	3 PLC ± -	APVD	PRODUCT SPEC
4 PLC ± -	ANGLES ± -		APPLICATION SPEC
MATERIAL BRASS, 0.51[.020] THK	FINISH	SIZE A1	WEIGHT
		CAGE CODE 00779	DRAWING NO. 226619
		CUSTOMER DRAWING	RESTRICTED TO
		SCALE 1:1	SHEET 1 OF 1

X-ON Electronics

Largest Supplier of Electrical and Electronic Components

Click to view similar products for [Terminals](#) category:

Click to view products by [TE Connectivity](#) manufacturer:

Other Similar products are found below :

[HT-13-10](#) [71M-250-32-NB](#) [01-2065-1-0216](#) [00581P0075](#) [M10-10RX](#) [M10BCK](#) [60205-1](#) [604200-1](#) [60598-1-CUT-TAPE](#) [60617-1-C](#) [60873-1](#) [M14-516R/SK](#) [M14-6RSX](#) [M18-8FBX](#) [M18-8R/LX](#) [M18BCK](#) [61314-6-C](#) [61-S](#) [61-SN-A](#) [62-NBM-A](#) [63-S](#) [640179-1](#) [640917-2-CUT-TAPE](#) [6501550002](#) [66107-2-C](#) [696683-1](#) [696834-1](#) [696861-1](#) [696931-1](#) [696999-1](#) [M8-516RK](#) [M86700006](#) [MA250DMFMX-A](#) [701-2007](#) [701-2307](#) [701-7761-03](#) [70F-110-32-PB](#) [718-N-A](#) [71M-187-20-NBL](#) [71M-250-32-NBL](#) [72F-187-20-NBL](#) [72M-250-32-NBL](#) [7310](#) [73F-250-32](#) [73F-250-32-NL](#) [F14-10C](#) [F-1M](#) [751-250](#) [76650-5002](#) [76828-149](#)