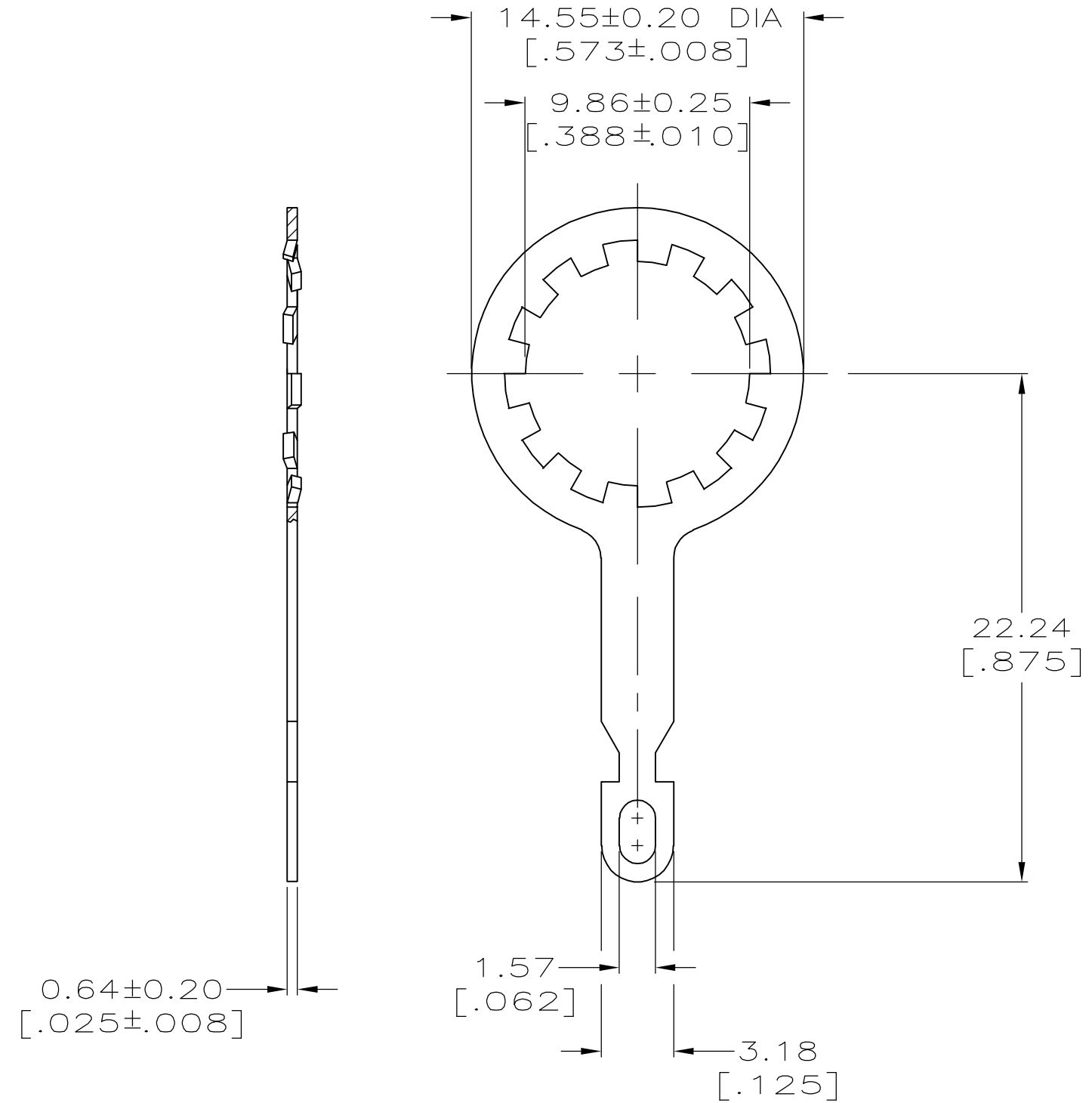


THIS DRAWING IS UNPUBLISHED. RELEASED FOR PUBLICATION  
 © COPYRIGHT BY TYCO ELECTRONICS CORPORATION. ALL RIGHTS RESERVED.

LOC	DIST	REVISIONS					
		P	LTR	DESCRIPTION	DATE	DWN	APVD
AJ	16		F1	REVISED PER ECO-06-018704	06SEP2006	MC	JH

- ① BRASS PER ASTM-B-36
- ② TIN-LEAD PLATE PER MIL-P-81728  
3.81  $\mu\text{m}$  [.000150] MINIMUM THICK.
- ③ SEE SEPERATE RESTRICTED CUSTOMER DRAWING WITH THIS PART NUMBER.
- ④ TIN PLATE PER ASTM-B-545  
3.81  $\mu\text{m}$  [.000150] MINIMUM THICK.



OBSOLETE	④	9-227260-0
	-	227260-3
	②	227260-2
	FINISH	PART NUMBER

THIS DRAWING IS A CONTROLLED DOCUMENT.		DWN J. LIPPERT 5-23-94	Tyco Electronics Corporation Harrisburg, PA 17105-3608			
DIMENSIONS: MM[INCHES]		CHK D. TAYLOE 5-23-94				
TOLERANCES UNLESS OTHERWISE SPECIFIED:		APVD D. TAYLOE 05-29-94	NAME LOCKWASHER, TERMINAL			
0 PLC ± - 1 PLC ± - 2 PLC ± - 3 PLC ± 0.41 [.016] 4 PLC ± - ANGLES ± -		PRODUCT SPEC -	APPLICATION SPEC -			
MATERIAL ①	FINISH SEE TABLE	WEIGHT .021 OZ	SIZE A3	CAGE CODE 00779	DRAWING NO C-227260	RESTRICTED TO -
CUSTOMER DRAWING			SCALE 4:1	SHEET 1 OF 1	REV F1	

## X-ON Electronics

Largest Supplier of Electrical and Electronic Components

*Click to view similar products for [Terminals](#) category:*

*Click to view products by [TE Connectivity](#) manufacturer:*

Other Similar products are found below :

[00-054007-01074-6](#) [00-054007-70206-1](#) [00-054007-70210-8](#) [00-054007-70217-7](#) [00-054007-70226-9](#) [00-054007-70228-3](#) [00-054007-70248-1](#) [00-054007-70256-6](#) [00-054007-70301-3](#) [00-054007-70316-7](#) [0-0320562-0](#) [00-054007-49560-4](#) [00-054007-70209-2](#) [00-054007-70225-2](#) [00-054007-70227-6](#) [00-054007-70231-3](#) [00-054007-70241-2](#) [00-054007-70242-9](#) [00-054007-70244-3](#) [00-054007-70246-7](#) [00-054007-70263-4](#) [00-054007-70288-7](#) [00-054007-70290-0](#) [00-054007-70300-6](#) [00-054007-70304-4](#) [01-2065-1-0216](#) [01-2900-1-04412](#) [00581P0075](#) [600TS-10](#) [60205-1](#) [604200-1](#) [605601-1](#) [60598-1-CUT-TAPE](#) [61314-6-C](#) [61810-3](#) [61-S](#) [61-SN](#) [626-0194](#) [62-NBM-A](#) [62-SN](#) [62-SP](#) [63-S](#) [640179-1](#) [M55155/059I03](#) [M55155/079C01](#) [M55155/099H02](#) [M55155/109H01](#) [M55155/109H02](#) [M55155/12XH05](#) [M55155/16XH02](#)