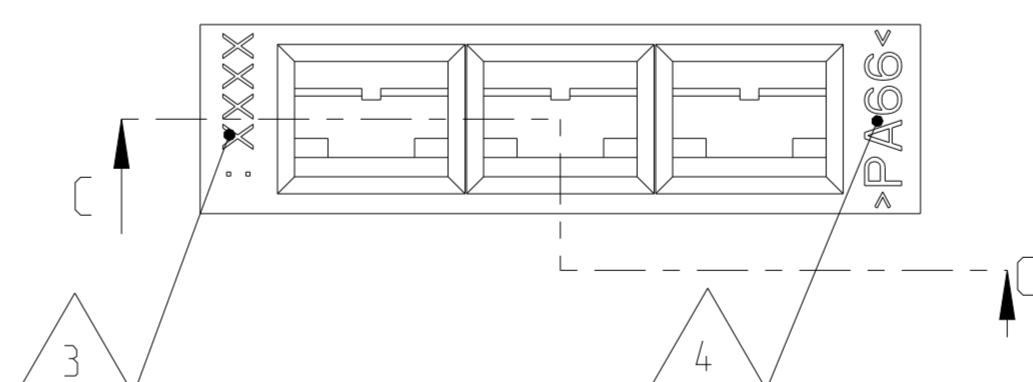
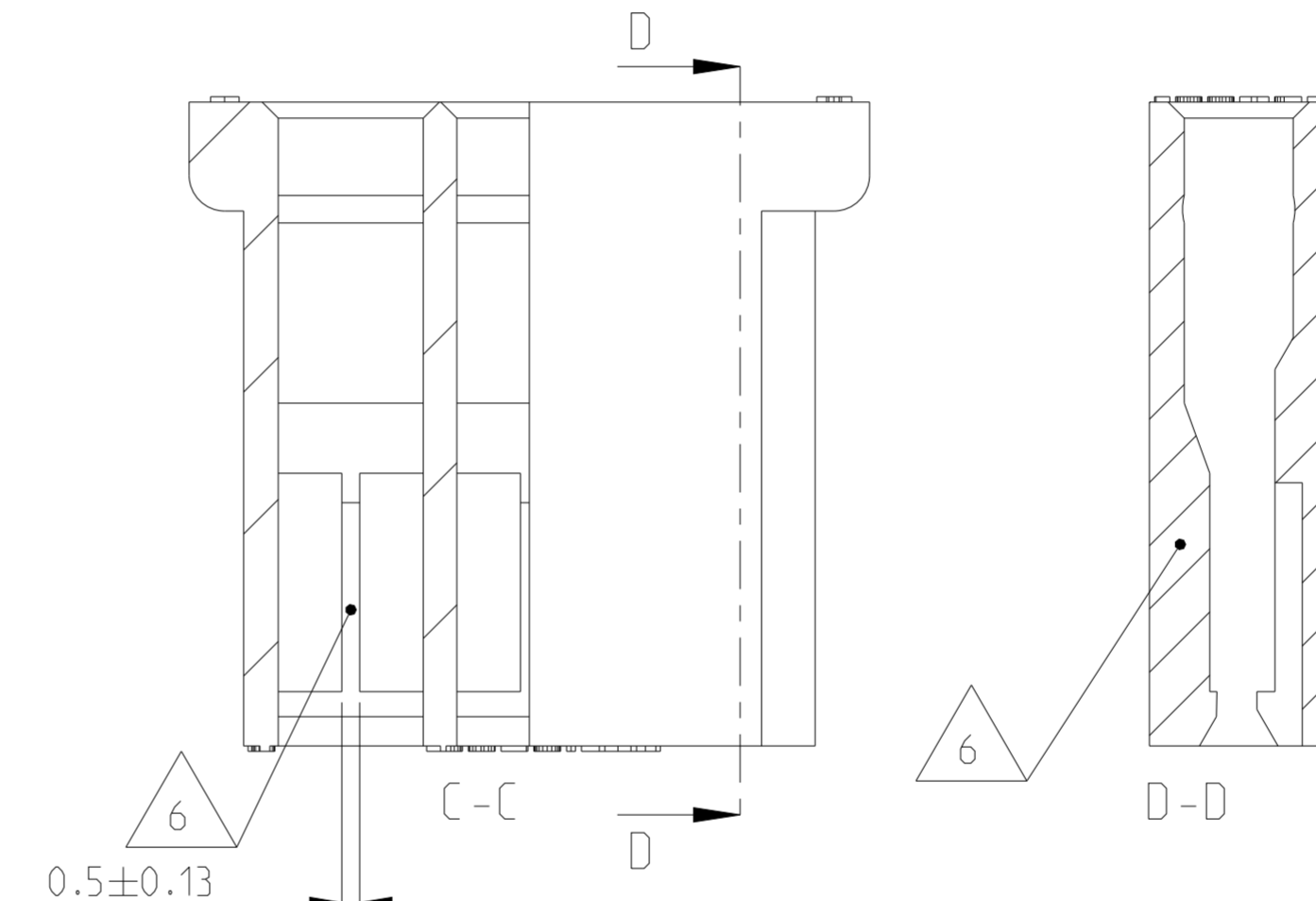
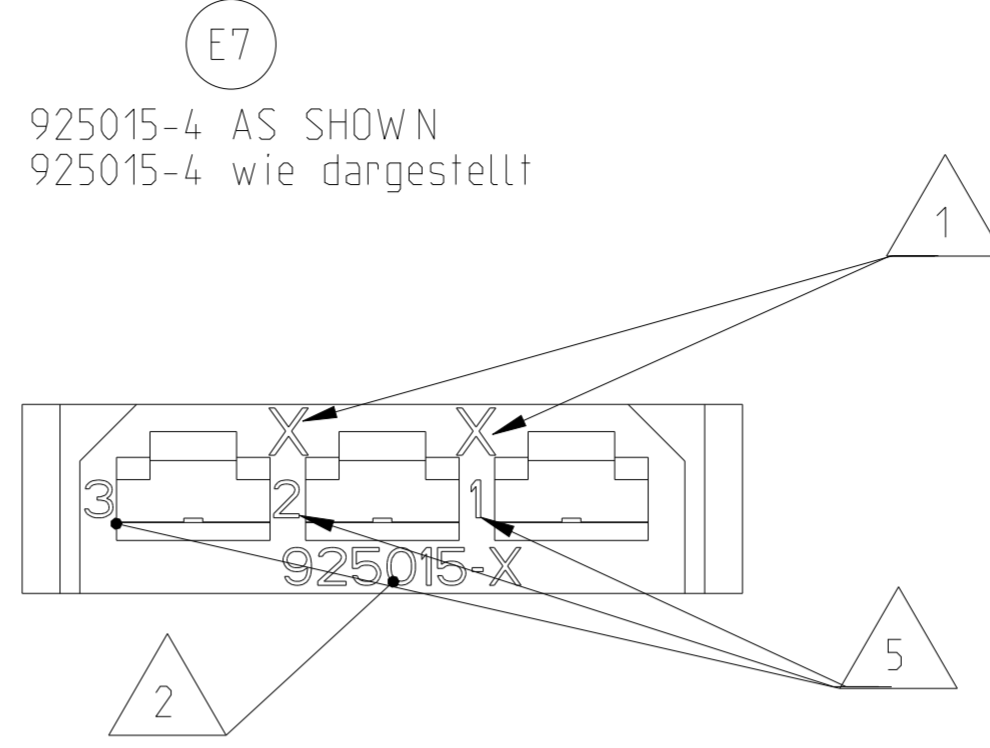
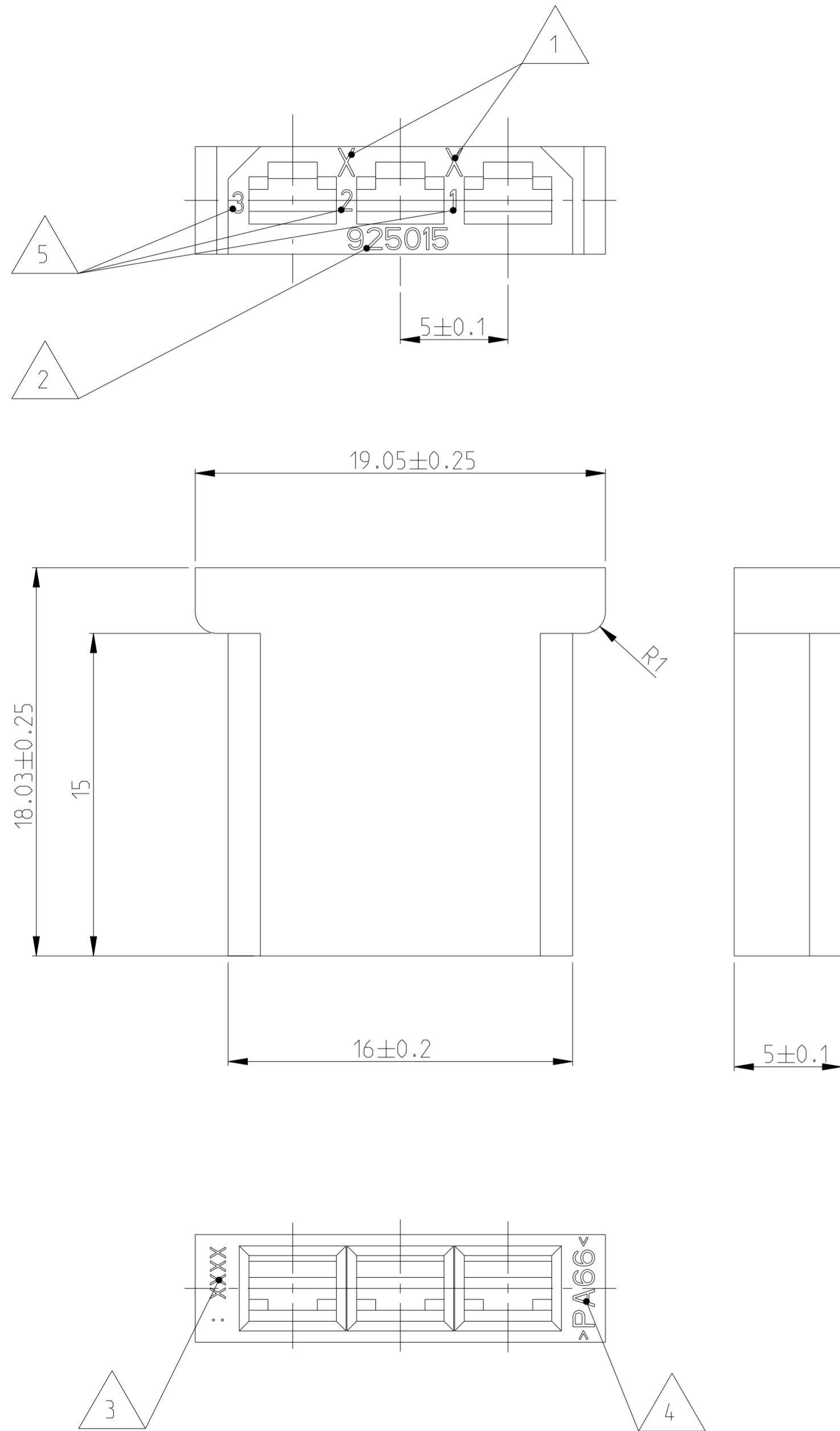


THIS DRAWING IS UNPUBLISHED. RELEASED FOR PUBLICATION 2006  
 © COPYRIGHT 2006 BY - ALL RIGHTS RESERVED.



LOC	DIST	REVISIONS				
P	LTR	DESCRIPTION	DATE	DWN	APVD	
A1	-	E8	REVISED PER ECR-14-001194	15FEB2014	NK	JR
		E9	REVISED PER ECO-18-000213	5JAN2018	DL	TD
		E10	REVISED PER ECR-21-101990	19APR2021	SS	EW
		E11	REVISED PER ECR-21-107994	26AUG2021	SS	EW

- NOTES  
Bemerkungen
- 1 MOULD CAVITY NUMBER  
Werkzeugnestzahl
  - 2 PART NUMBER  
Teilenummer
  - 3 ARTWORK LOGO  
Firmenzeichen
  - 4 MATERIAL MARKING  
Werkstoffkennzeichnung
  - 5 CHAMBER NUMBER  
Kammernummer
  - 6 CODING RIB  
Kodiersteg
  - 7 WEIGHT: 925015-0/-1/-2/-3 - 0,94g  
WEIGHT: 925015-4 - 0,98g  
Gewicht: 925015-0/-1/-2/-3 - 0,94g  
Gewicht: 925015-4 - 0,98g
  - 8 PACKAGING VARIANT OF 925015-0  
Verpackungsvariante von 925015-0
  - 9 MATERIAL GWT 750C
  - 10 PRELIMINARY FASR REQUIRED
  - 11 INTERNAL FLASH INSIDE CAVITY (THIN AND FLEXIBLE THAT DO NOT COME OFF) ACCEPTABLE UP TO 0.15 mm. EXTERNAL FLASH ACCEPTABLE UP TO 0.4 mm

925015-6	1	3POS. HOUSING	PA6	NATURAL
925015-5	A	3POS. HOUSING	PA6.6	NATURAL
925015-4	A	3POS. HOUSING	PA6.6	NATURAL
<del>925015-3</del>	<del>E</del>	<del>3POS. HOUSING</del>	<del>PA6.6 (ZYTEL 101)</del>	<del>NATURAL</del>
925015-2	E	3POS. HOUSING	PA6.6	RED
925015-1	E	3POS. HOUSING	PA6.6	BLACK
925015-0	E	3POS. HOUSING	PA6.6	NATURAL
ORDER-NO.	REV	DESCRIPTION	MATERIAL	COLOUR

THIS DRAWING IS A CONTROLLED DOCUMENT.

DWN Haas.C. 21MAR2005  
CHK Stredak.F. 22MAR2005  
APVD Bleicher.M. 31MAR2005

STE TE Connectivity

3POS. FASTIN-FASTON REC. HSG. SER.110  
3pol. F.F. Steckhuelsengehaeuse SERIE 2.8

SIZE: A2 CAGE CODE: 00779 DRAWING NO: C-925015 RESTRICTED TO: -

WEIGHT: SEE NOTE SCALE: 5:1 SHEET 1 OF 1 REV: E11

Customer Drawing

## X-ON Electronics

Largest Supplier of Electrical and Electronic Components

*Click to view similar products for [Terminals](#) category:*

*Click to view products by [TE Connectivity](#) manufacturer:*

Other Similar products are found below :

[00-054007-01074-6](#) [00-054007-70206-1](#) [00-054007-70210-8](#) [00-054007-70217-7](#) [00-054007-70226-9](#) [00-054007-70228-3](#) [00-054007-70248-1](#) [00-054007-70256-6](#) [00-054007-70301-3](#) [00-054007-70316-7](#) [0-0320562-0](#) [00-054007-49560-4](#) [00-054007-70209-2](#) [00-054007-70225-2](#) [00-054007-70227-6](#) [00-054007-70231-3](#) [00-054007-70241-2](#) [00-054007-70242-9](#) [00-054007-70244-3](#) [00-054007-70246-7](#) [00-054007-70263-4](#) [00-054007-70288-7](#) [00-054007-70290-0](#) [00-054007-70300-6](#) [00-054007-70304-4](#) [01-2065-1-0216](#) [01-2900-1-04412](#) [00581P0075](#) [600TS-10](#) [60205-1](#) [604200-1](#) [605601-1](#) [60598-1-CUT-TAPE](#) [61314-6-C](#) [61810-3](#) [61-S](#) [61-SN](#) [626-0194](#) [62-NBM-A](#) [62-SN](#) [62-SP](#) [63-S](#) [640179-1](#) [M55155/059I03](#) [M55155/079C01](#) [M55155/099H02](#) [M55155/109H01](#) [M55155/109H02](#) [M55155/12XH05](#) [M55155/16XH02](#)