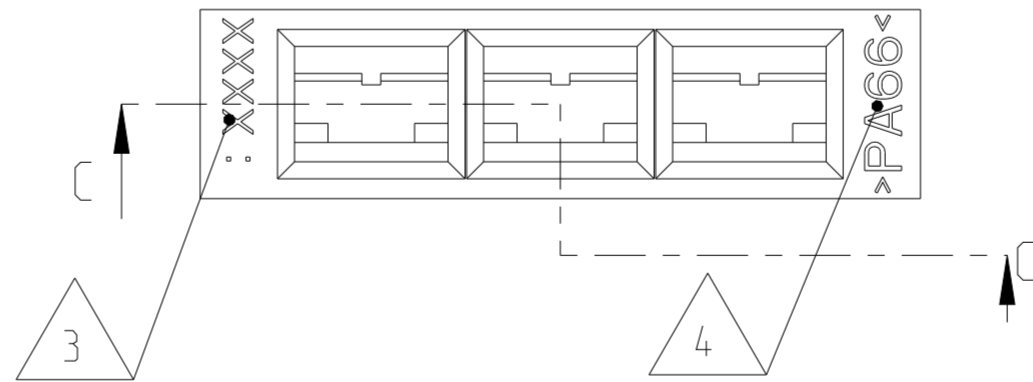
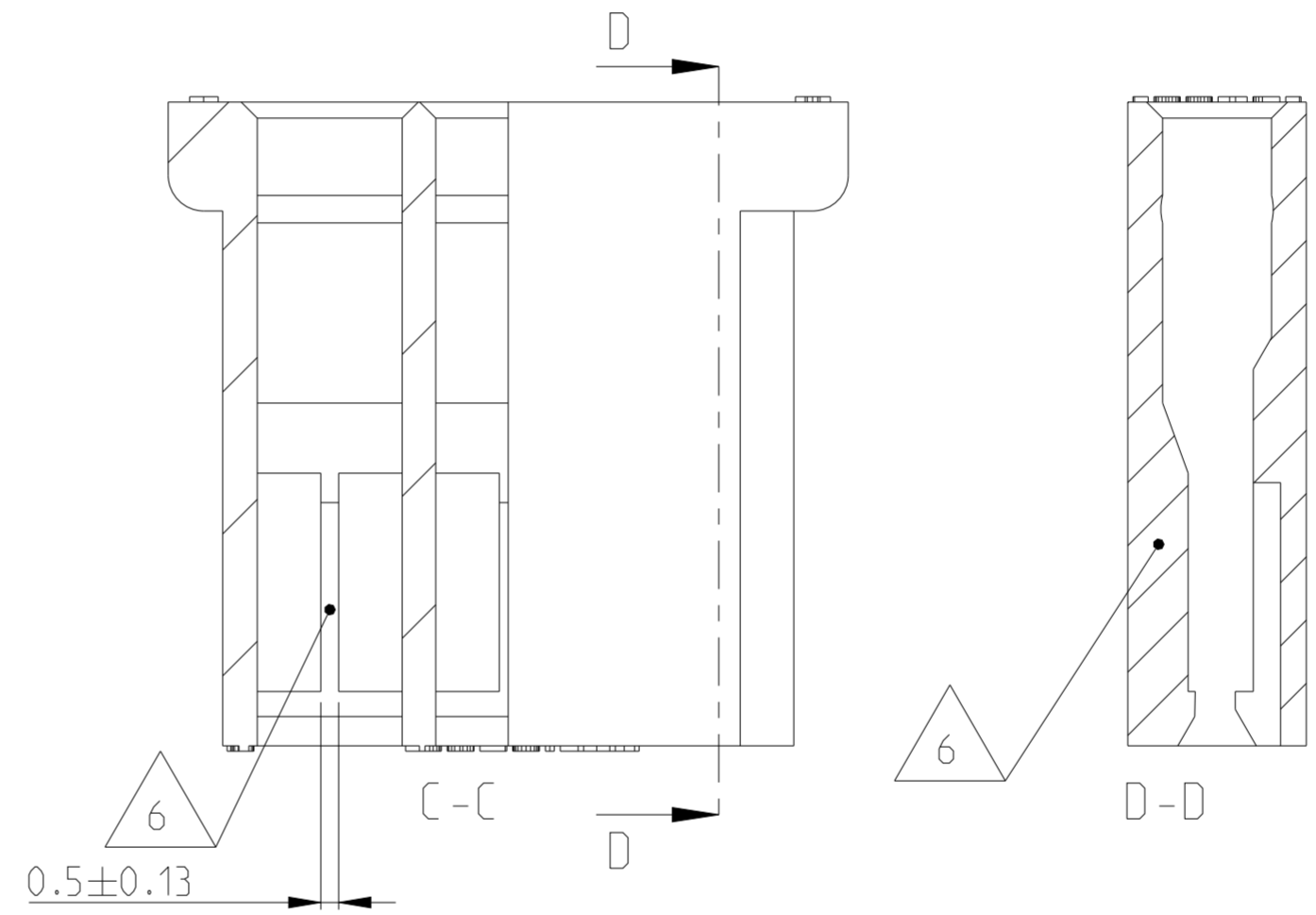
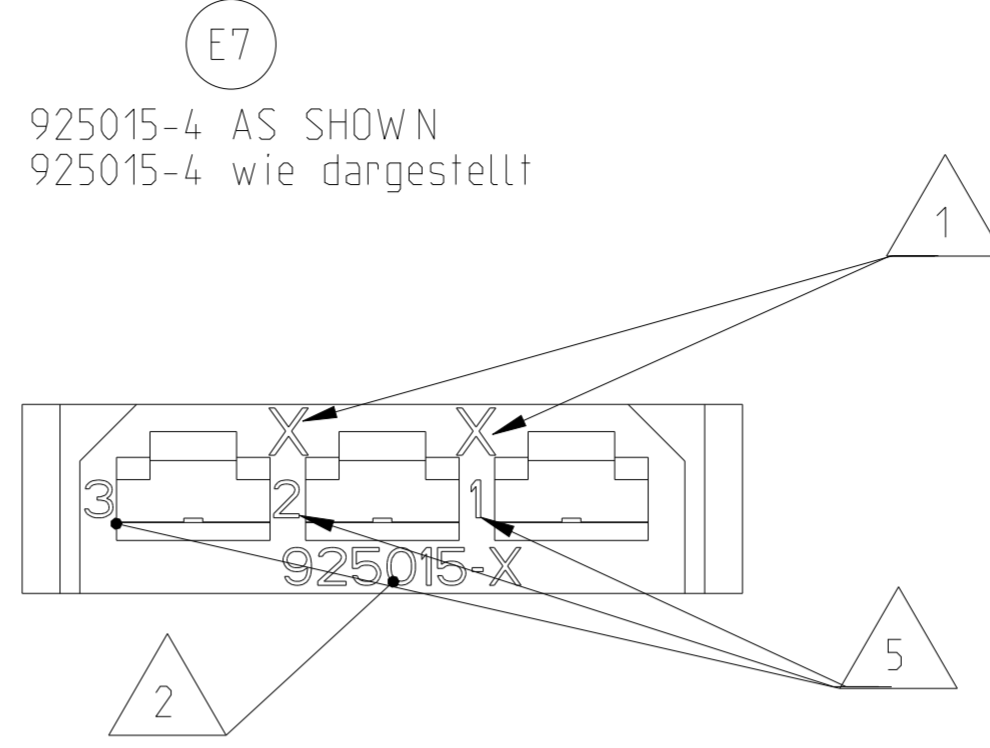
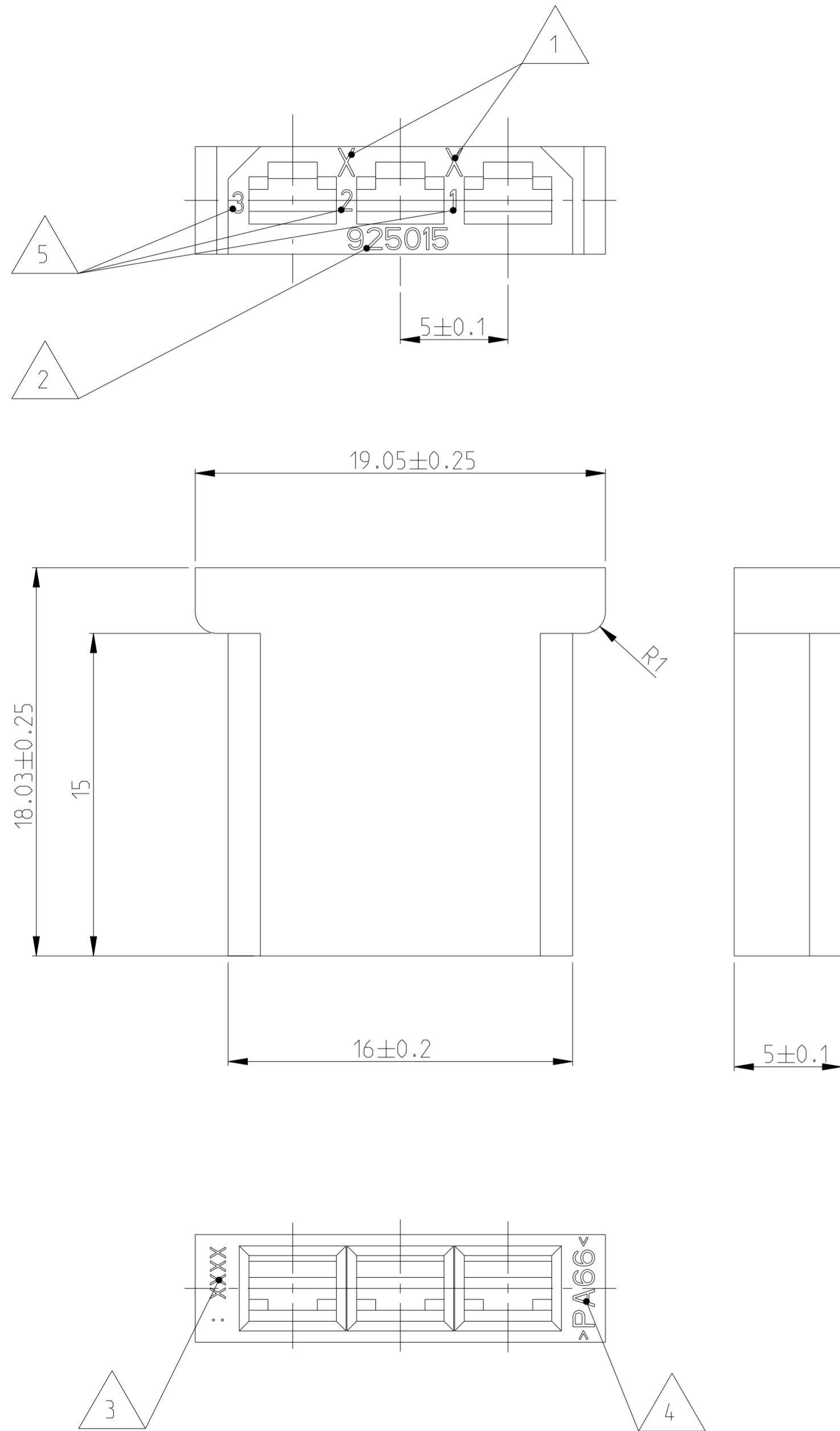


THIS DRAWING IS UNPUBLISHED. RELEASED FOR PUBLICATION 2006
 © COPYRIGHT 2006 BY - ALL RIGHTS RESERVED.



LOC	DIST	REVISIONS			
P	LTR	DESCRIPTION	DATE	DWN	APVD
E8		REVISED PER ECR-14-001194	15FEB2014	NK	JR
E9		REVISED PER ECO-18-000213	5JAN2018	DL	TD
E10		REVISED PER ECR-21-101990	19APR2021	SS	EW
E11		REVISED PER ECR-21-107994	26AUG2021	SS	EW

- NOTES
 Bemerkungen
- 1 MOULD CAVITY NUMBER
Werkzeugnestzahl
 - 2 PART NUMBER
Teilenummer
 - 3 ARTWORK LOGO
Firmenzeichen
 - 4 MATERIAL MARKING
Werkstoffkennzeichnung
 - 5 CHAMBER NUMBER
Kammernummer
 - 6 CODING RIB
Kodiersteg
 - 7 WEIGHT: 925015-0/-1/-2/-3 - 0,94g
WEIGHT: 925015-4 - 0,98g
Gewicht: 925015-0/-1/-2/-3 - 0,94g
Gewicht: 925015-4 - 0,98g
 - 8 PACKAGING VARIANT OF 925015-0
Verpackungsvariante von 925015-0
 - 9 MATERIAL GWT 750C
 - 10 PRELIMINARY FASR REQUIRED
 - 11 INTERNAL FLASH INSIDE CAVITY (THIN AND FLEXIBLE THAT DO NOT COME OFF) ACCEPTABLE UP TO 0.15 mm. EXTERNAL FLASH ACCEPTABLE UP TO 0.4 mm

925015-6	1	3POS. HOUSING	PA6	NATURAL
925015-5	A	3POS. HOUSING	PA6.6	NATURAL
925015-4	A	3POS. HOUSING	PA6.6	NATURAL
925015-3	E	3POS. HOUSING	PA6.6 (ZYTEL 101)	NATURAL
925015-2	E	3POS. HOUSING	PA6.6	RED
925015-1	E	3POS. HOUSING	PA6.6	BLACK
925015-0	E	3POS. HOUSING	PA6.6	NATURAL
ORDER-NO.	REV	DESCRIPTION	MATERIAL	COLOUR

THIS DRAWING IS A CONTROLLED DOCUMENT.

DWN Haas.C. 21MAR2005
 CHK Stredak.F. 22MAR2005
 APVD Bleicher.M. 31MAR2005

STE TE Connectivity

NAME 3POS. FASTIN-FASTON REC. HSG. SER.110
 3pol. F.F. Steckhuelsengehaeuse SERIE 2.8

SIZE CAGE CODE DRAWING NO RESTRICTED TO
 A2 00779 C-925015 -

WEIGHT SEE NOTE
 Customer Drawing SCALE 5:1 SHEET 1 OF 1 REV E11

DIMENSIONS:	TOLERANCES UNLESS OTHERWISE SPECIFIED:
mm	
0 PLC	±0.4mm
1 PLC	±
2 PLC	±
3 PLC	±
4 PLC	±
ANGLES	±°
MATERIAL	FINISH

X-ON Electronics

Largest Supplier of Electrical and Electronic Components

Click to view similar products for [Headers & Wire Housings](#) category:

Click to view products by [TE Connectivity](#) manufacturer:

Other Similar products are found below :

[892-18-020-10-001101](#) [58102-G61-06LF](#) [582553-1](#) [0009485154](#) [009176003701906](#) [0050291907](#) [LY20-4P-DT1-P1E-BR](#) [02.125.8002.8](#)
[609-3404](#) [61062-3](#) [61082-181009](#) [622-3653LF](#) [63453-116](#) [636-1030](#) [636-1427](#) [636-3427](#) [636-4007](#) [641938-9](#) [641991-4](#) [644827-2](#) [65817-](#)
[010LF](#) [65817-015LF](#) [65863-015LF](#) [66207-023LF](#) [67095-007LF](#) [67601157](#) [68645-018](#) [68648-049](#) [70.362.1628.0](#) [70-4210](#) [70-4226B](#) [70-](#)
[4853B](#) [707-5020](#) [707-5028](#) [71.350.2428.0](#) [71918-208LF](#) [71961-016LF](#) [733-134](#) [733-162](#) [754199-000](#) [760-3052](#) [787-8014-00](#) [79531-3000](#)
[FCN-360C032-B](#) [FCN-367T-T012/H](#) [FCN-723D010/2](#) [80.063.4001.1](#) [800-90-001-10-001000](#) [800-90-010-10-002000](#) [801-43-002-10-013000](#)