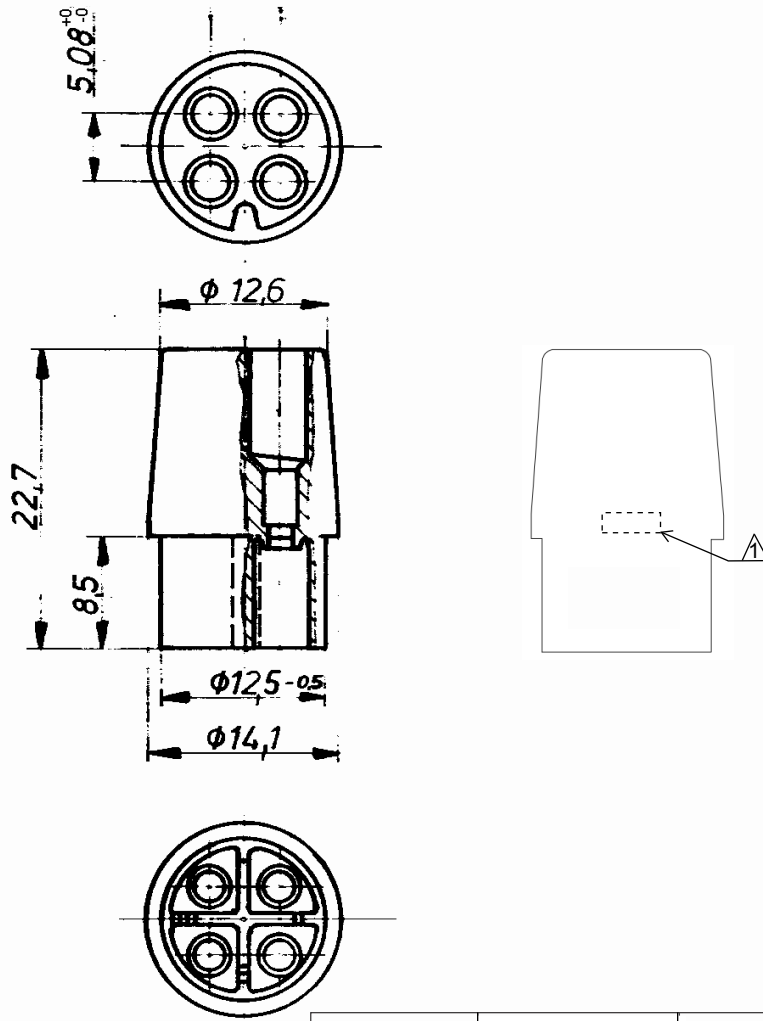


| LOC | DIST | REVISIONS | | | | | | |
|-----|------|-------------|---------------------------|--|------|-----------|------|----|
| P | LTR | DESCRIPTION | | | DATE | DWN | APVD | |
| AL | 2 | C5 | REVISED PER ECR-15-014424 | | | 18NOV2015 | NK | EW |



1 FROST TE LOGO ON THIS SURFACE
PER P/N: 1621426-4

| | | |
|-------------------|-------------------|---------|
| 925076-7 | PA66 GWT 750°C-V0 | NATURAL |
| 925076-6 | PA6 GWT750°C-V2 | NATURAL |
| 925076-4 | PA66 | RED |
| 925076-3 | PA66 | BLACK |
| OBSOLETE 925076-2 | PA66 UL94 | WHITE |
| OBSOLETE 925076-1 | PA66 UL94 | NATURAL |
| 925076 | PA66 UL94 V-2 | NATURAL |
| PN | MATERIAL | COLOUR |

THIS DRAWING IS UNPUBLISHED.
 RELEASED FOR PUBLICATION 20
 © COPYRIGHT 20 BY TYCO ELECTRONICS CORPORATION. ALL RIGHTS RESERVED.

| | | | | | | |
|--|-------------------------------|---|-----------|------------|---------------|--------|
| DIMENSIONS: mm | DWN J. SALO 10AUG2009 | MATERIAL | SEE TABLE | | FINISH | - |
| TOLERANCES UNLESS OTHERWISE SPECIFIED: | CHK R. SOLE 10AUG2009 | | | | | |
| 0 PLC ±- | APVD G. TURCO 10AUG2009 | | | | | |
| 1 PLC ±0,4 | PRODUCT SPEC | NAME | | | | |
| 2 PLC ±0,4 | - | 4 WAY CIRCULAR MATE-N-LOK SOCKET HOUSING | | | | |
| 3 PLC ±- | APPLICATION SPEC | SIZE | CAGE CODE | DRAWING NO | RESTRICTED TO | |
| 4 PLC ±- | - | A4 | 00779 | C-925076 | - | |
| ANGLES ±1°30' | WEIGHT | - | | | | |
| | CUSTOMER DRAWING | SCALE | 2:1 | SHEET | 1 OF 1 | REV C5 |

X-ON Electronics

Largest Supplier of Electrical and Electronic Components

Click to view similar products for [Pin & Socket Connectors](#) category:

Click to view products by [TE Connectivity](#) manufacturer:

Other Similar products are found below :

[6450822-1](#) [770392-1](#) [794042-1](#) [796885-1](#) [8-794535-1](#) [PLR3455ACS-222](#) [R929991004](#) [R929993003](#) [1403611-1](#) [1-480349-5](#) [152302-5](#)
[153211-2](#) [1586092-1](#) [1586129-1](#) [1586681-4](#) [1586700-1](#) [1586368-1](#) [1586380-1](#) [1586616-1](#) [1586680-5](#) [16-06-0038](#) [164164-5](#) [1-6609930-1](#)
[172296-1](#) [19-09-2035](#) [200503-1](#) [200788-2](#) [2029090-4](#) [2029095-4](#) [925061-7](#) [293734-4](#) [293737-2](#) [1-765362-4](#) [1871534-1](#) [200833-4](#)
[2008625-2](#) [2029027-2](#) [2029096-4](#) [R929991000](#) [R929991002](#) [R929993000](#) [319-10-101-00-005000](#) [319-10-102-00-001000](#) [319-10-104-00-001000](#) [319-10-105-00-001000](#) [319-10-108-00-001000](#) [319-10-112-00-006000](#) [39-01-8019](#) [319-10-101-00-001000](#) [319-10-102-00-005000](#)