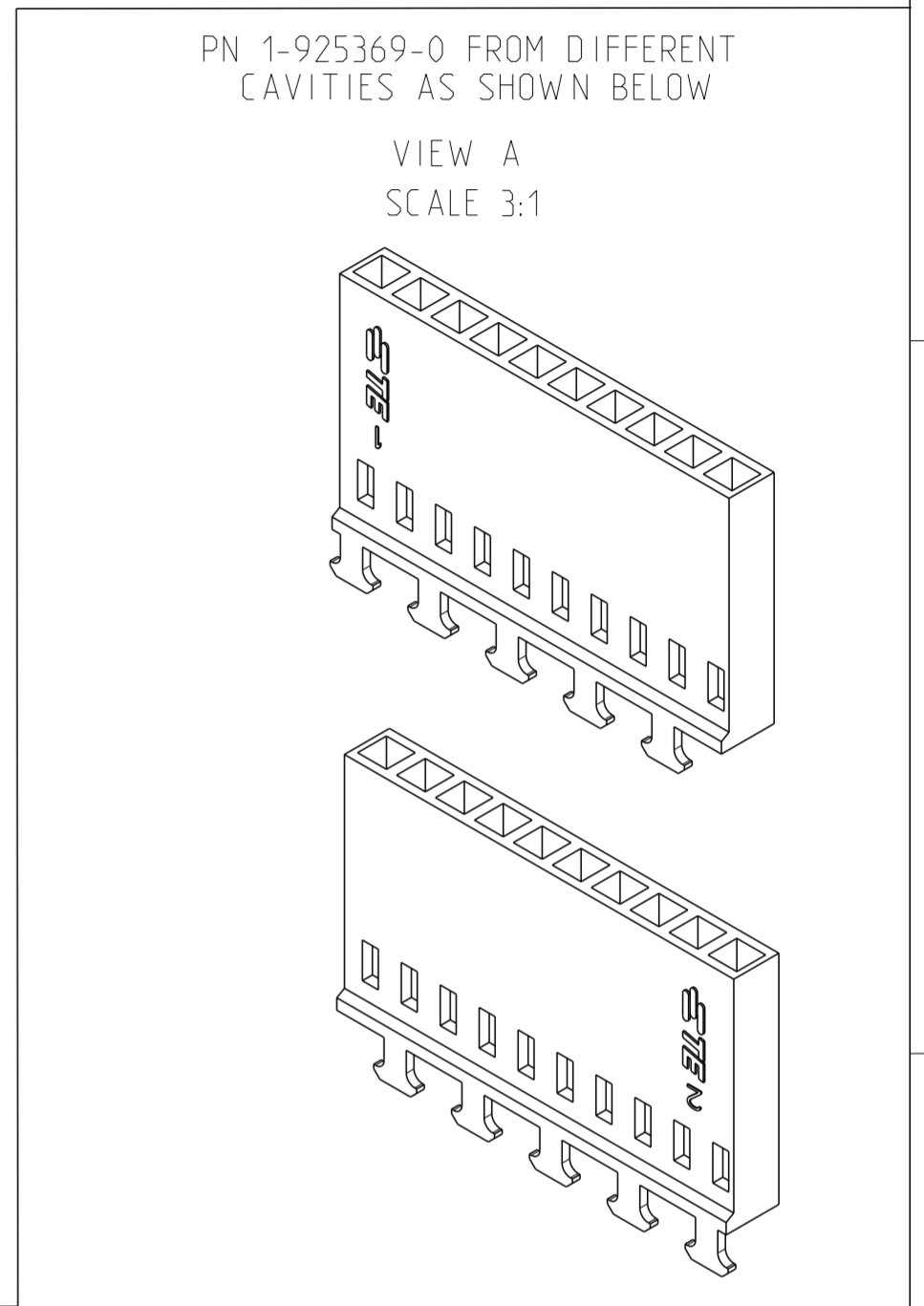
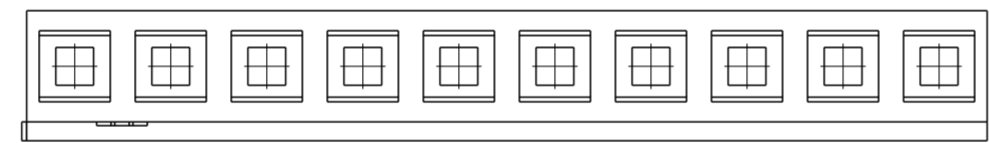
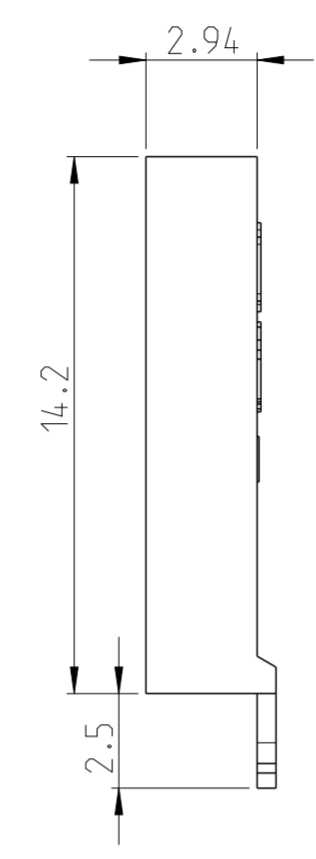
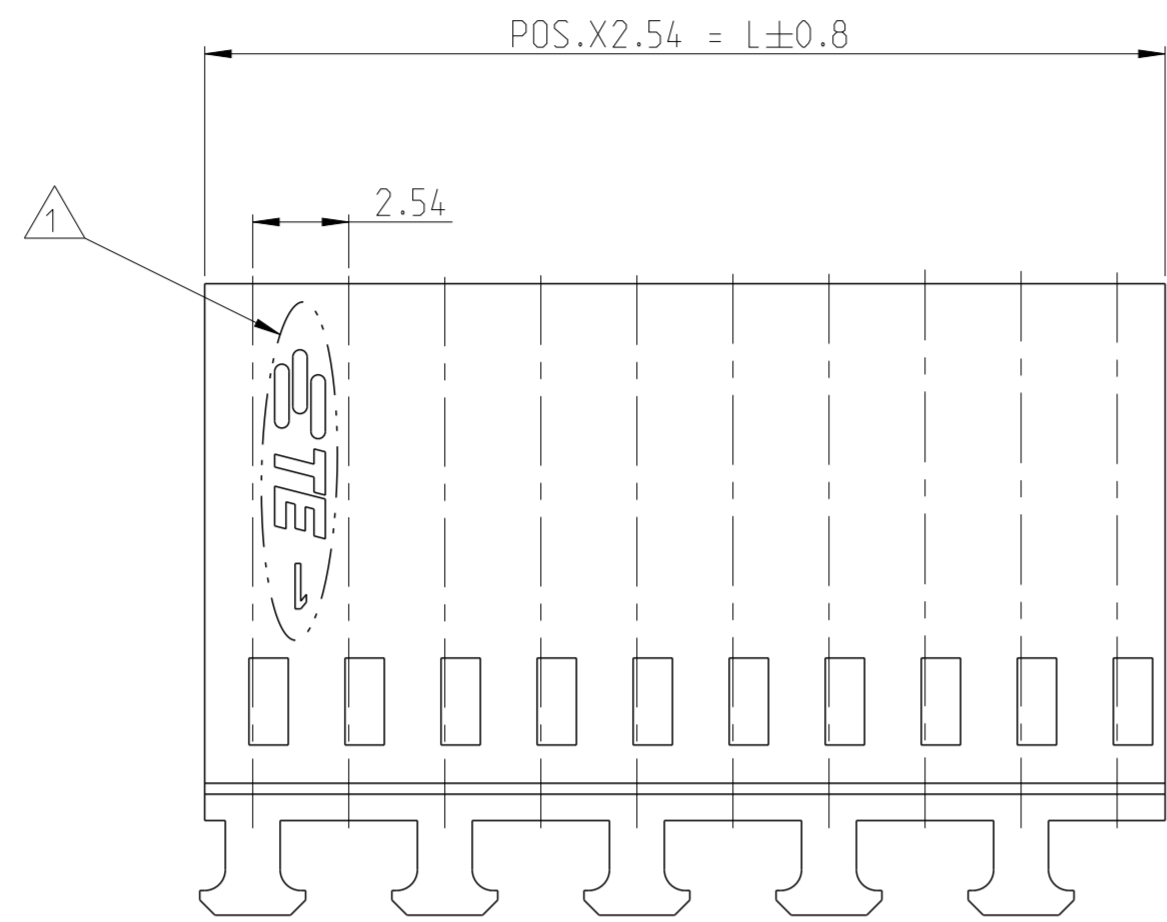


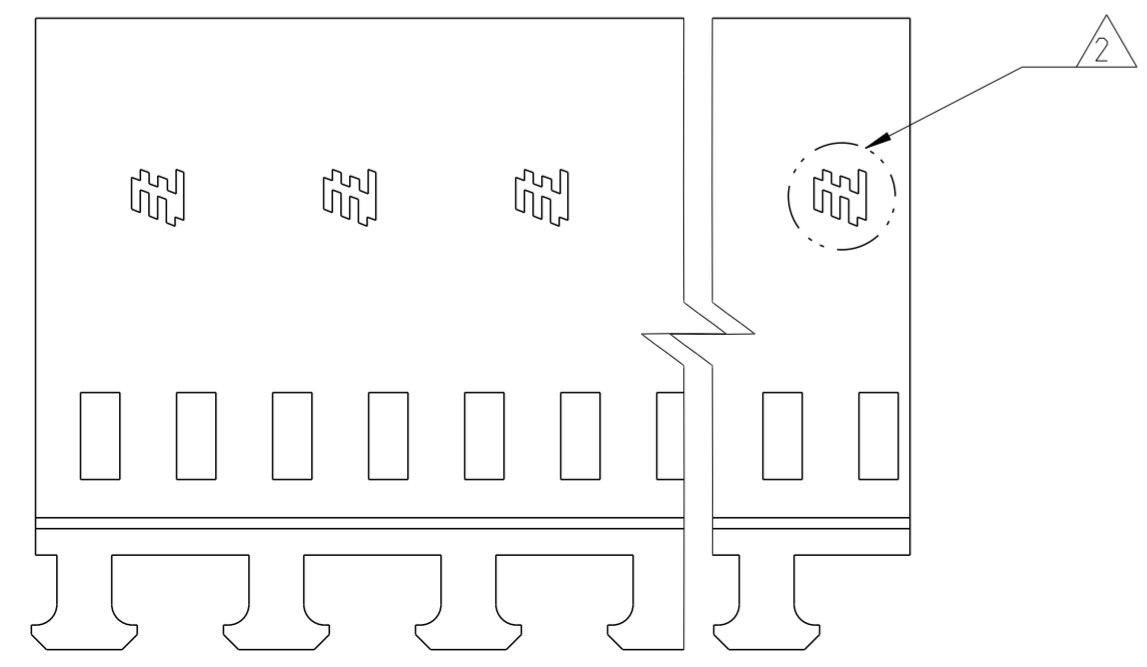
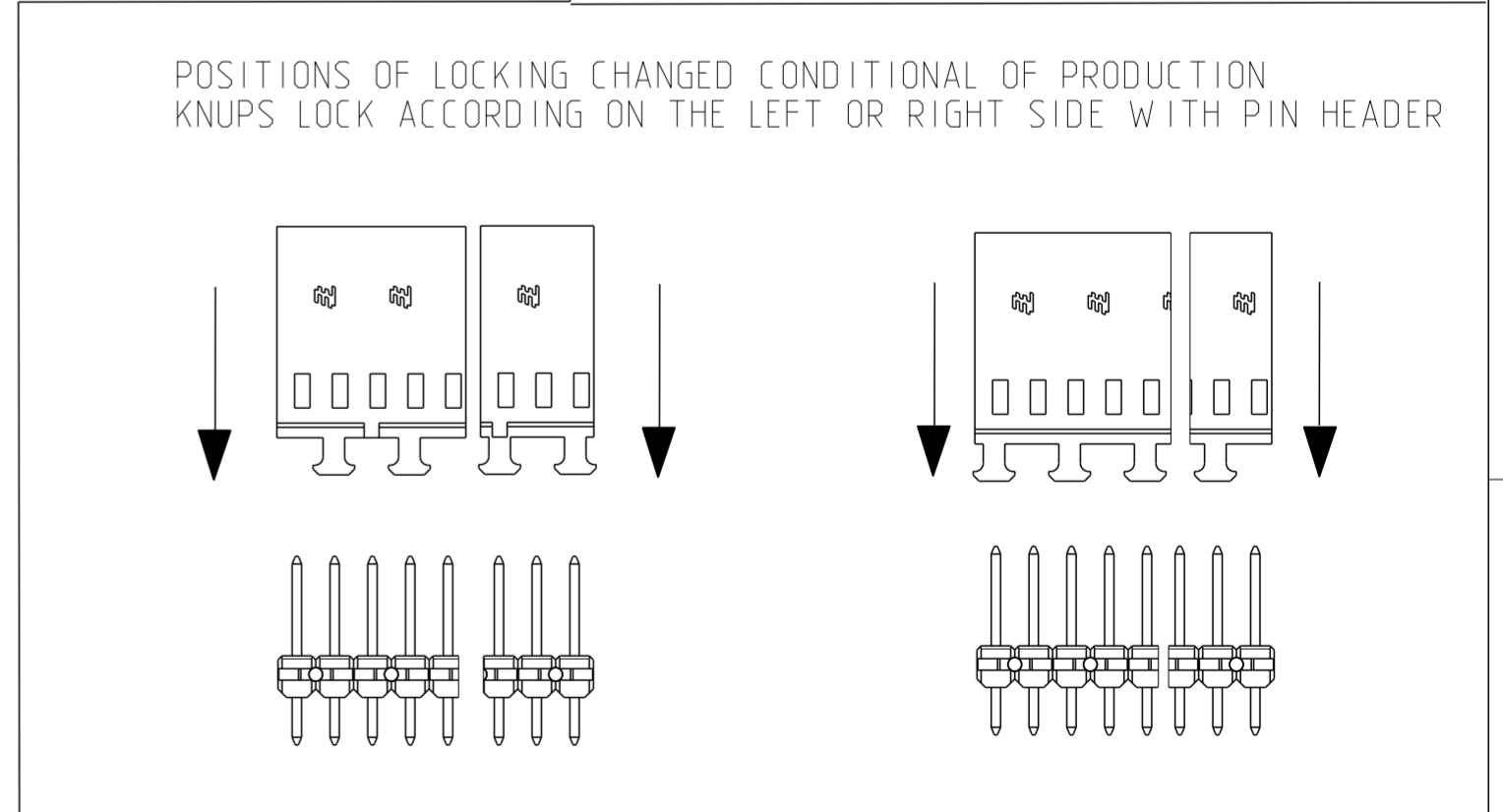
| P | LTR | DESCRIPTION                            | DATE      | DWN | APVD |
|---|-----|--|-----------|-----|------|
|   | Y   | TE LOGO, RESIN SUPPLIER AND RAL CHANGE | 29AUG2019 | KJK | PS   |

| POS. | L±0.8  | PART NUMBER           |
|------|--------|-----------------------|
| 2    | 5.08   | 925369-2              |
| 3    | 7.62   | 925369-3              |
| 4    | 10.16  | 925369-4              |
| 5    | 12.70  | 925369-5              |
| 6    | 15.24  | 925369-6              |
| 7    | 17.78  | 925369-7              |
| 8    | 20.32  | 925369-8              |
| 9    | 22.86  | 925369-9              |
| 10   | 25.40  | 1-925369-0            |
| 11   | 27.94  | 1-925369-1            |
| 12   | 30.48  | 1-925369-2            |
| 13   | 33.02  | 1-925369-3            |
| 14   | 35.56  | 1-925369-4            |
| 15   | 38.10  | 1-925369-5            |
| 16   | 40.64  | 1-925369-6            |
| 17   | 43.18  | 1-925369-7            |
| 18   | 45.72  | 1-925369-8            |
| 19   | 48.26  | 1-925369-9            |
| 20   | 50.80  | <del>2-925369-0</del> |
| 21   | 53.34  | <del>2-925369-1</del> |
| 22   | 55.88  | <del>2-925369-2</del> |
| 23   | 58.42  | <del>2-925369-3</del> |
| 24   | 60.96  | <del>2-925369-4</del> |
| 25   | 63.50  | <del>2-925369-5</del> |
| 26   | 66.04  | <del>2-925369-6</del> |
| 27   | 68.58  | <del>2-925369-7</del> |
| 28   | 71.12  | <del>2-925369-8</del> |
| 29   | 73.66  | <del>2-925369-9</del> |
| 30   | 76.20  | <del>3-925369-0</del> |
| 31   | 78.74  | <del>3-925369-1</del> |
| 32   | 81.28  | <del>3-925369-2</del> |
| 33   | 83.82  | <del>3-925369-3</del> |
| 34   | 86.36  | <del>3-925369-4</del> |
| 35   | 88.90  | <del>3-925369-5</del> |
| 36   | 91.44  | 3-925369-6            |
| 37   | 93.98  | <del>3-925369-7</del> |
| 38   | 96.52  | <del>3-925369-8</del> |
| 39   | 99.06  | 3-925369-9            |
| 40   | 101.60 | <del>4-925369-0</del> |
| 41   | 104.14 | <del>4-925369-1</del> |
| 42   | 106.68 | <del>4-925369-2</del> |
| 43   | 109.22 | 4-925369-3            |
| 44   | 111.76 | <del>4-925369-4</del> |
| 45   | 114.30 | <del>4-925369-5</del> |
| 46   | 116.84 | <del>4-925369-6</del> |
| 47   | 119.38 | <del>4-925369-7</del> |
| 48   | 121.92 | <del>4-925369-8</del> |
| 49   | 124.46 | <del>4-925369-9</del> |
| 50   | 127.00 | 5-925369-0            |

OBSOLETE  
OBSOLETE  
OBSOLETE  
OBSOLETE  
OBSOLETE



- NOTES:
- 1 TE LOGO FOR 2 POSITION TO 19 POSITION PART NUMBERS  
TE LOGO CAN BE ON EITHER SIDE (LEFT OR RIGHT) OF THE HOUSINGS, REFER VIEW A
  - 2 TE LOGO FOR 20 POSITION TO 50 POSITION PART NUMBERS.
  - 3 PRODUCT SPECIFICATION -108-25020 (MOD IV STANDARD CONTACT PRESSURE)  
-108-25021 (MOD IV INTERMEDIATE CONTACT PRESSURE)  
-108-25007 (MOD V HIGH CONTACT PRESSURE)



|  |  |                                  |   |                    |
|--|--|----------------------------------|---|--------------------|
| THIS DRAWING IS A CONTROLLED DOCUMENT.           |  | DWN<br>KARTHIK J K<br>28AUG2019  | TE Connectivity   |                    |
| DIMENSIONS:<br>mm                                |  | CHK<br>HARI REDDY<br>28AUG2019   |   |                    |
| TOLERANCES UNLESS OTHERWISE SPECIFIED:<br>±0.2mm |  | APVD<br>PRASHANTH S<br>28AUG2019 | NAME<br>AMPMODU IV RECEPTACLE HOUSING<br>SINGLE ROW, WITH STRAIN RELIEF |                    |
| MATERIAL<br>PA66<br>GREEN RAL 6001               |  | PRODUCT SPEC<br>3                | RESTRICTED TO<br>-  |                    |
| FINISH<br>-                                      |  | APPLICATION SPEC<br>114-25003    | SIZE<br>A2  | CAGE CODE<br>00779 |
|  |  | WEIGHT<br>-                      | DRAWING NO<br>G-925369  | SCALE<br>5:1       |
|  |  | CUSTOMER DRAWING                 | SHEET<br>1 OF 1   | REV<br>Y           |

## X-ON Electronics

Largest Supplier of Electrical and Electronic Components

*Click to view similar products for [Headers & Wire Housings](#) category:*

*Click to view products by [TE Connectivity](#) manufacturer:*

Other Similar products are found below :

[892-18-020-10-001101](#) [58102-G61-06LF](#) [582553-1](#) [0009485154](#) [009176003701906](#) [0050291907](#) [LY20-4P-DT1-P1E-BR](#) [02.125.8002.8](#)  
[609-3404](#) [61062-3](#) [61082-181009](#) [622-3653LF](#) [63453-116](#) [636-1030](#) [636-1427](#) [636-3427](#) [636-4007](#) [641938-9](#) [641991-4](#) [644827-2](#) [65817-](#)  
[010LF](#) [65817-015LF](#) [65863-015LF](#) [66207-023LF](#) [67095-007LF](#) [67601157](#) [68645-018](#) [68648-049](#) [70.362.1628.0](#) [70-4210](#) [70-4226B](#) [70-](#)  
[4853B](#) [707-5020](#) [707-5028](#) [71.350.2428.0](#) [71918-208LF](#) [71961-016LF](#) [733-134](#) [733-162](#) [754199-000](#) [760-3052](#) [787-8014-00](#) [79531-3000](#)  
[FCN-360C032-B](#) [FCN-367T-T012/H](#) [FCN-723D010/2](#) [80.063.4001.1](#) [800-90-001-10-001000](#) [800-90-010-10-002000](#) [801-43-002-10-013000](#)