

POS. PER ROW	L±0.8	PART NUMBER
2	5.08	925370-2
3	7.62	925370-3
4	10.16	925370-4
5	12.70	925370-5
6	15.24	925370-6
7	17.78	925370-7
8	20.32	925370-8
9	22.86	925370-9
10	25.40	1-925370-0
11	27.94	1-925370-1
12	30.48	1-925370-2
13	33.02	1-925370-3
14	35.56	1-925370-4
15	38.10	1-925370-5
16	40.64	1-925370-6
17	43.18	1-925370-7
18	45.72	1-925370-8
19	48.26	1-925370-9
20	50.80	2-925370-0
21	53.34	2-925370-1
22	55.88	2-925370-2
23	58.42	2-925370-3
24	60.96	2-925370-4
25	63.50	2-925370-5
26	66.04	2-925370-6
27	68.58	2-925370-7
28	71.12	2-925370-8
29	73.66	2-925370-9
30	76.20	3-925370-0
31	78.74	3-925370-1
32	81.28	3-925370-2
33	83.82	3-925370-3
34	86.36	3-925370-4
35	88.80	3-925370-5
36	91.44	3-925370-6
37	93.98	3-925370-7
38	96.52	3-925370-8
39	99.06	3-925370-9
40	101.60	4-925370-0
41	104.14	4-925370-1
42	106.68	4-925370-2
43	109.22	4-925370-3
44	111.76	4-925370-4
45	114.30	4-925370-5
46	116.84	4-925370-6
47	119.38	4-925370-7
48	121.92	4-925370-8
49	124.46	4-925370-9
50	127.00	5-925370-0

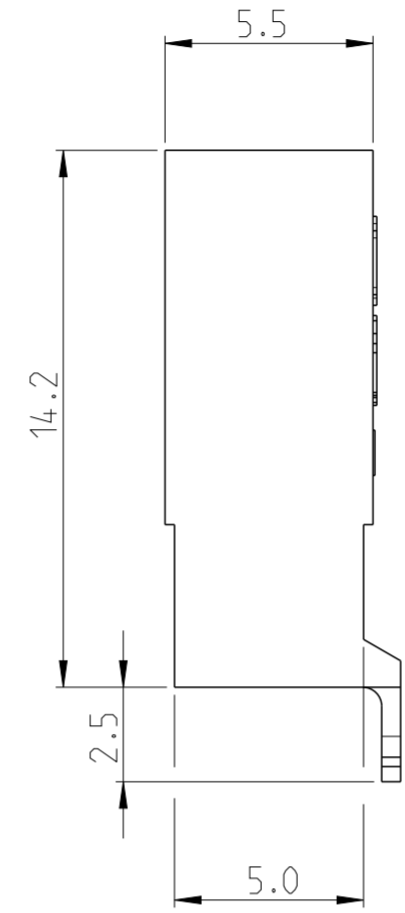
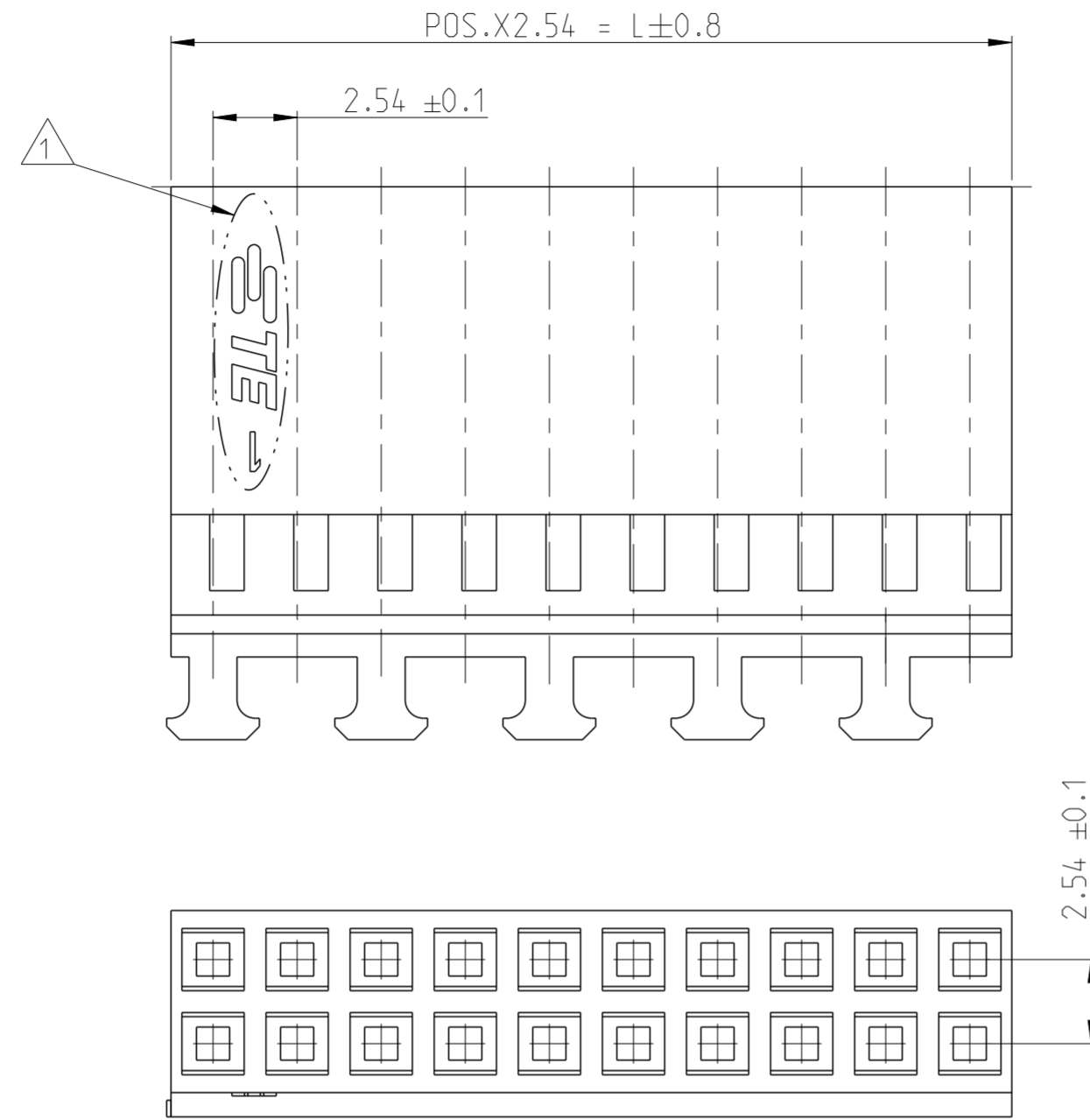
OBSOLETE

OBSOLETE

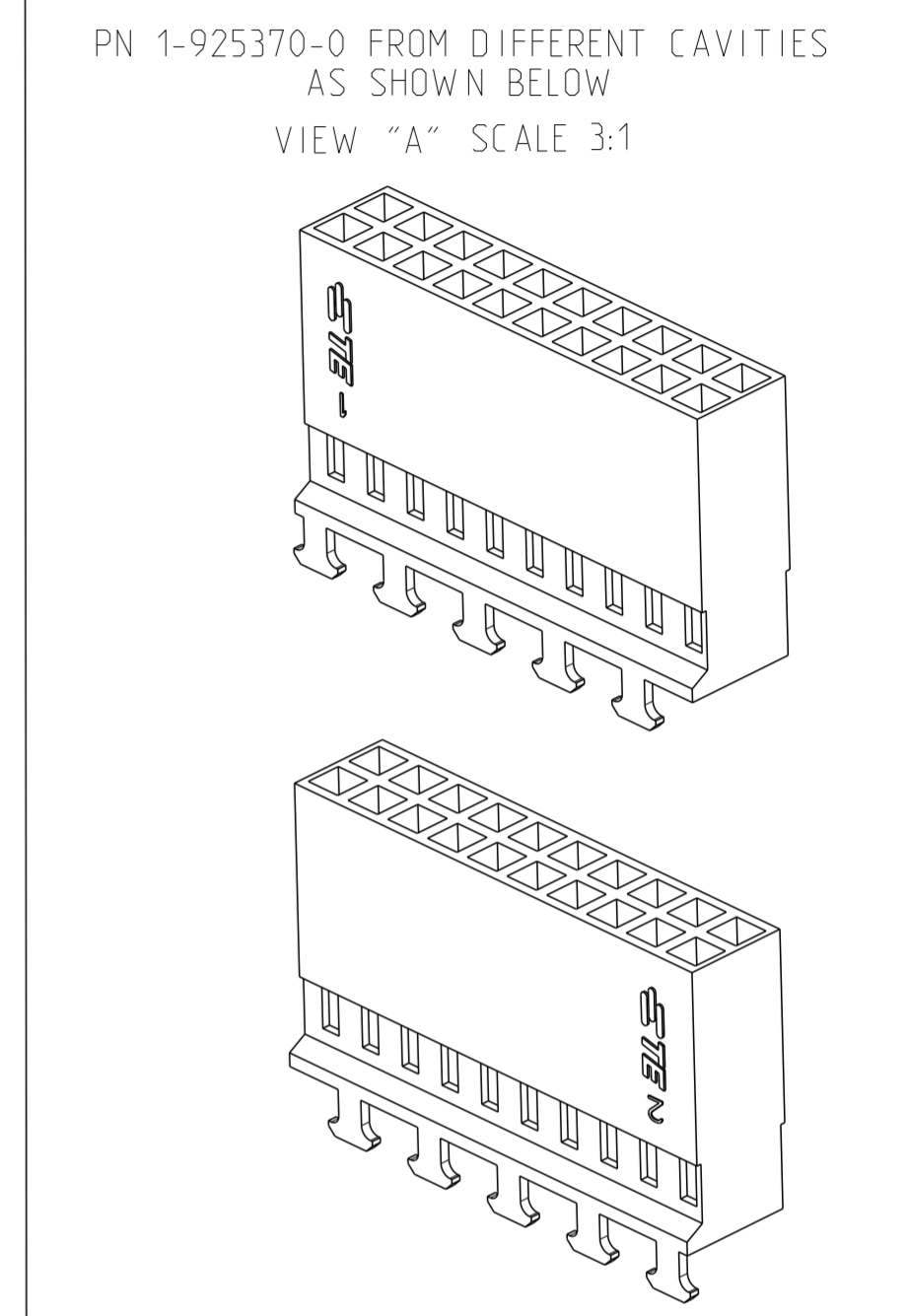
OBSOLETE

OBSOLETE

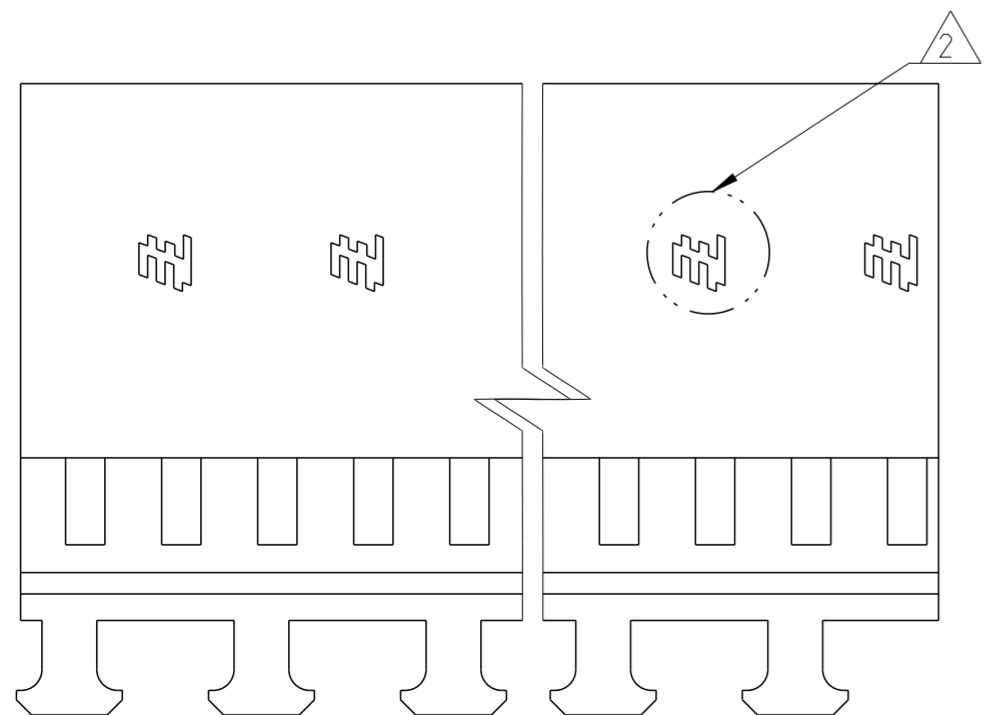
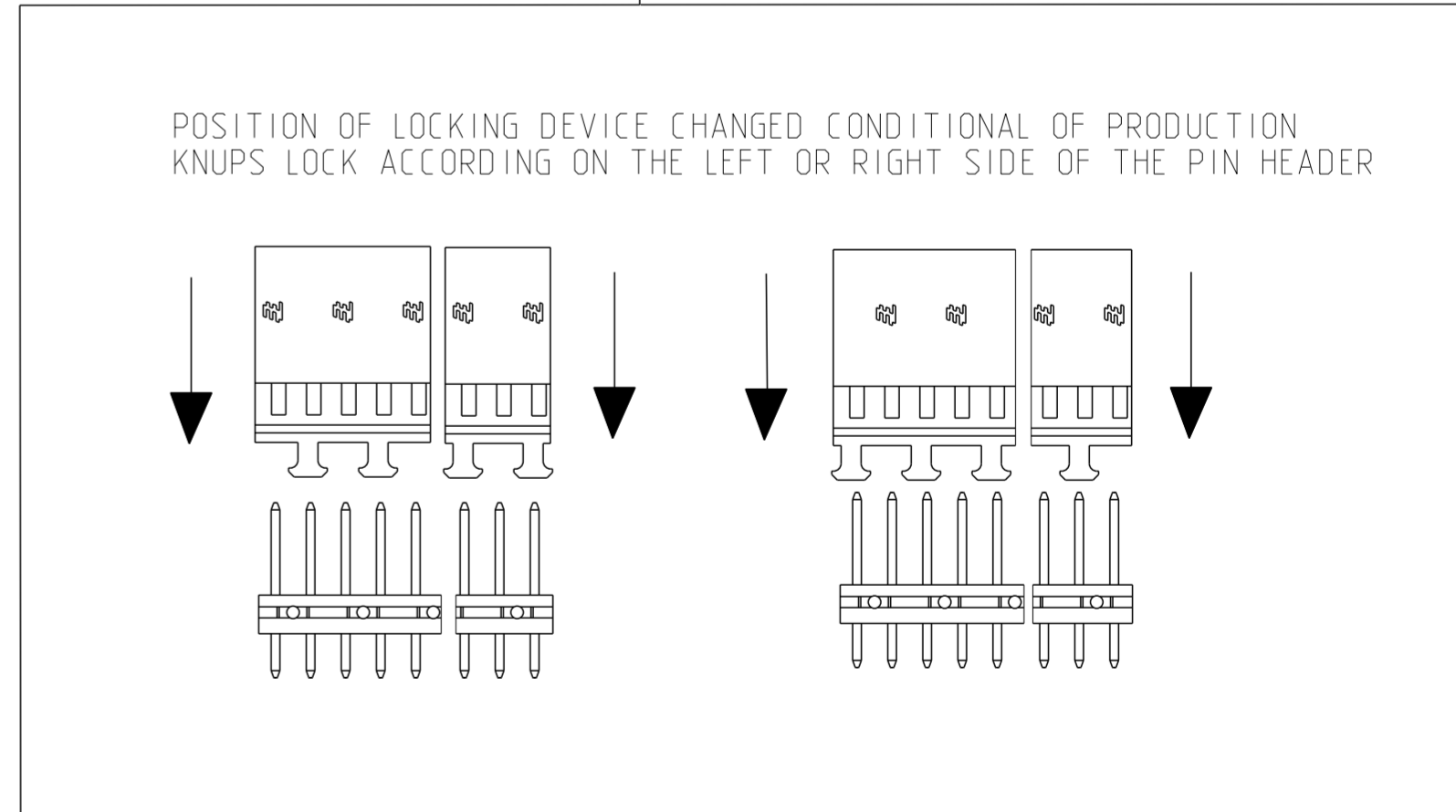
MATED WITH: 825440 167301-4



REVISIONS					
P	LTR	DESCRIPTION	DATE	DWN	APVD
	AA	TE LOGO, RESIN SUPPLIER AND RAL CHANGE	30AUG2019	KJK	PS



- NOTES:
- 1 TE LOGO FOR 2 POSITION TO 19 POSITION PART NUMBERS
TE LOGO CAN BE ON EITHER SIDE (LEFT OR RIGHT) OF THE HOUSINGS, REFER VIEW A
 - 2 TE LOGO FOR 20 POSITION TO 50 POSITION PART NUMBERS
 - 3 PRODUCT SPECIFICATION -108-25020 (MOD IV STANDARD CONTACT PRESSURE)
-108-25021 (MOD IV INTERMEDIATE CONTACT PRESSURE)
-108-25007 (MOD V HIGH CONTACT PRESSURE)



THIS DRAWING IS A CONTROLLED DOCUMENT.		DWN KARTHIK J K 29AUG2019	 TE Connectivity		
DIMENSIONS: mm		CHK HARI SURIYA 29AUG2019			
TOLERANCES UNLESS OTHERWISE SPECIFIED: ±0.2mm		APVD PRASHANTH S 29AUG2019	NAME AMPMODU IV RECEPTACLE HOUSING DUAL ROW, WITH STRAIN RELIEF		
MATERIAL PA66 GREEN RAL 6001		PRODUCT SPEC APPLICATION SPEC 114-25003	SIZE A2	CAGE CODE 00779	DRAWING NO G-925370
FINISH -		WEIGHT -	RESTRICTED TO		
		CUSTOMER DRAWING	SCALE 5:1	SHEET 1 OF 1	REV AA

X-ON Electronics

Largest Supplier of Electrical and Electronic Components

Click to view similar products for [Headers & Wire Housings](#) category:

Click to view products by [TE Connectivity](#) manufacturer:

Other Similar products are found below :

[892-18-020-10-001101](#) [58102-G61-06LF](#) [582553-1](#) [0009485154](#) [009176003701906](#) [0050291907](#) [LY20-4P-DT1-P1E-BR](#) [02.125.8002.8](#)
[609-3404](#) [61062-3](#) [61082-181009](#) [622-3653LF](#) [63453-116](#) [636-1030](#) [636-1427](#) [636-3427](#) [636-4007](#) [641938-9](#) [641991-4](#) [644827-2](#) [65817-](#)
[010LF](#) [65817-015LF](#) [65863-015LF](#) [66207-023LF](#) [67095-007LF](#) [67601157](#) [68645-018](#) [68648-049](#) [70.362.1628.0](#) [70-4210](#) [70-4226B](#) [70-](#)
[4853B](#) [707-5020](#) [707-5028](#) [71.350.2428.0](#) [71918-208LF](#) [71961-016LF](#) [733-134](#) [733-162](#) [754199-000](#) [760-3052](#) [787-8014-00](#) [79531-3000](#)
[FCN-360C032-B](#) [FCN-367T-T012/H](#) [FCN-723D010/2](#) [80.063.4001.1](#) [800-90-001-10-001000](#) [800-90-010-10-002000](#) [801-43-002-10-013000](#)