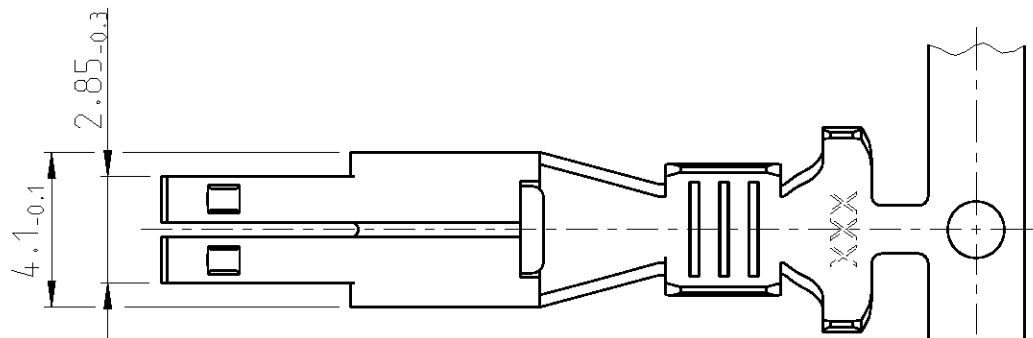
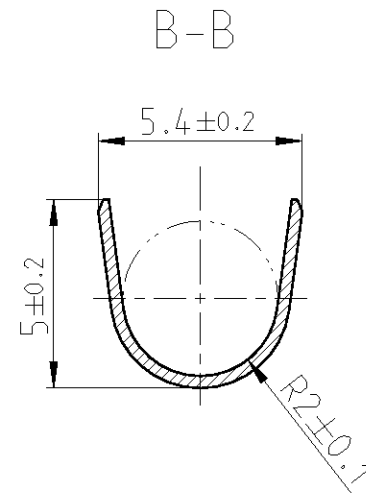
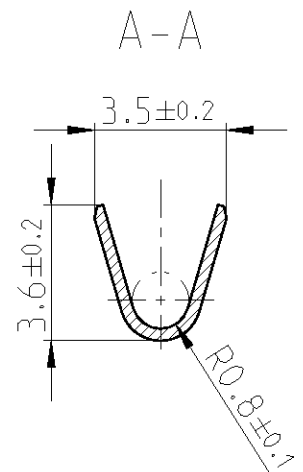
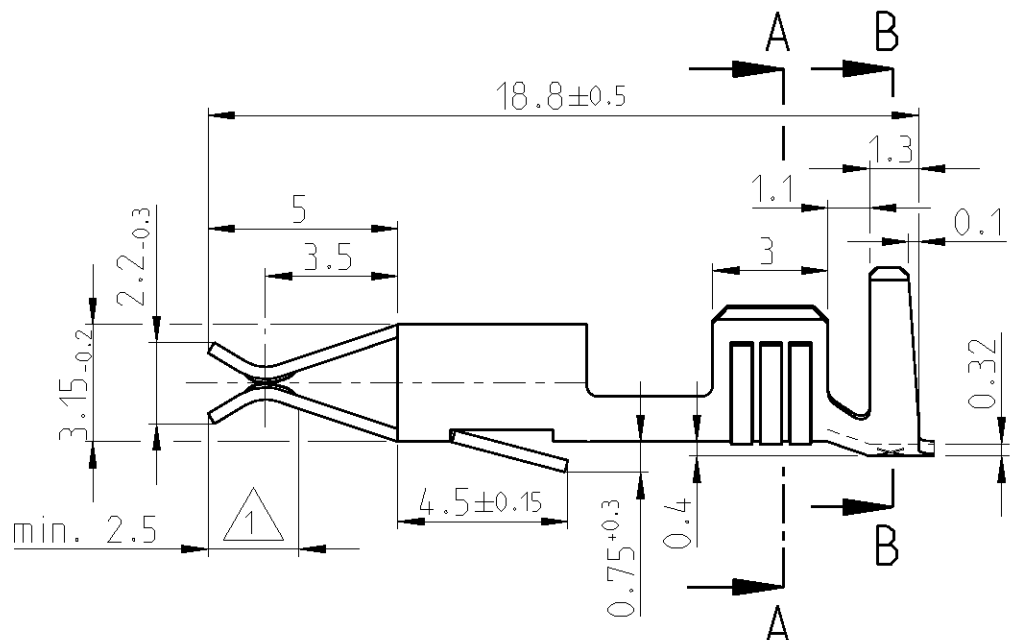


THIS DRAWING IS UNPUBLISHED. RELEASED FOR PUBLICATION 2013
 © COPYRIGHT 2013 Tyco Electronics AMP GmbH ALL RIGHTS RESERVED.

LOC	DIST	REVISIONS					
		P	LTR	DESCRIPTION	DATE	DWN	APVD
A1	-		R1	Zeichnung neu erstellt	15DEC1998	M.P.	M.B.
			R2	New CAD drawing created.	21JUN2013	Kirs.	Eder



CONDUCTOR CROSS-SECTION IN mm ² Leitungsquerschnitt in mm ²									
SINGLE CONNECTION Einzelanschlag									
	0.50	0.75	1.00	1.50	2.00	2.50	3.00	4.00	6.00
0.50	X	X	X						
0.75	X	X							
1.00	X	X							
1.50	X								
2.00									
2.50	X								
3.00									
4.00									
6.00									

WIRE SIZE RANGE: 1.0-2.5mm²
 Drahtgrößenbereich: 1.0-2.5mm²

INSULATION RANGE: 2.4-3.7mm
 Isolationsbereich: 2.4-3.7mm

CRIMPING CONDUCTOR: FLK-WIRE
 CONDUCTOR: F-CRIMP
 INSULATION: F-CRIMP

angeschlagener Leiter: FLK-Leitung
 Leiter: F-Crimp
 Isolation: F-Crimp

925597-6	PRE TIN	Elmedur-x	925595-6	R
925597-5	SELECTIVE GOLD $\triangle 1$	CuSn4	925595-5	R
925597-4	PRE TIN	CuZn30	925595-4	R
925597-3	SELECTIVE SILVER $\triangle 1$	CuSn4	925595-3	R
925597-2	PRE TIN	CuSn4	925595-2	R
925597-1	PRE TIN	CuZn30	925595-1	R
LOOSE PIECE	FINISH	MATERIAL	STRIP PART	REV

THIS DRAWING IS A CONTROLLED DOCUMENT.		DWN M.Pfeilschiffer 15DEC1998	TE Connectivity	
		CHK M.Bleicher 08JAN1999		
DIMENSIONS: mm		APVD -	NAME JUNIOR-TIMER CONTACT Junior-Timer Kontakt	
TOLERANCES UNLESS OTHERWISE SPECIFIED: 0 PLC ±0.2 1 PLC ± ISO 8015 2 PLC ± ISO 2768-mH-E 3 PLC ± DIN 16901-140 4 PLC ± ANGLES ±2°		PRODUCT SPEC 108-18053	RESTRICTED TO -	
MATERIAL -		FINISH -	APPLICATION SPEC 114-18079	SIZE A3
		WEIGHT -	APPLICATION SPEC 114-18079	CAGE CODE 00779
			WEIGHT -	DRAWING NO G=925595
				SCALE 5:1
				SHEET 1 OF 1
				REV R2
				CUSTOMER DRAWING

X-ON Electronics

Largest Supplier of Electrical and Electronic Components

Click to view similar products for [Automotive Connectors](#) category:

Click to view products by [TE Connectivity](#) manufacturer:

Other Similar products are found below :

[003-018-000](#) [60403001](#) [60993906-B](#) [M902-2131](#) [M902-2161](#) [M902-2344](#) [72.330.1035.1](#) [73.353.4028.0](#) [F119300-B](#) [F166900](#) [F258300-B](#)
[F358300-B](#) [F407400](#) [F444110](#) [F487000](#) [F509500B-B](#) [827153-1](#) [8N1515-32-24P](#) [9-1326729-8](#) [925474-1](#) [928905-1](#) [964562-4](#) [968782-1](#)
[GT17SA-8DS-HU](#) [98891-1012](#) [98947-1016](#) [12004147](#) [12004475-L](#) [12010290](#) [12010309-B](#) [12015454](#) [12020219-B](#) [12041318-B](#) [12052225-](#)
[L](#) [12052466](#) [12064869](#) [12004327-B](#) [12015308](#) [12015384](#) [12015909](#) [1-21030-1](#) [12041254](#) [12041318](#) [12047946-B](#) [12047957](#) [12047957-L](#)
[12059473](#) [12066261](#) [12110546](#) [12110546-B](#)