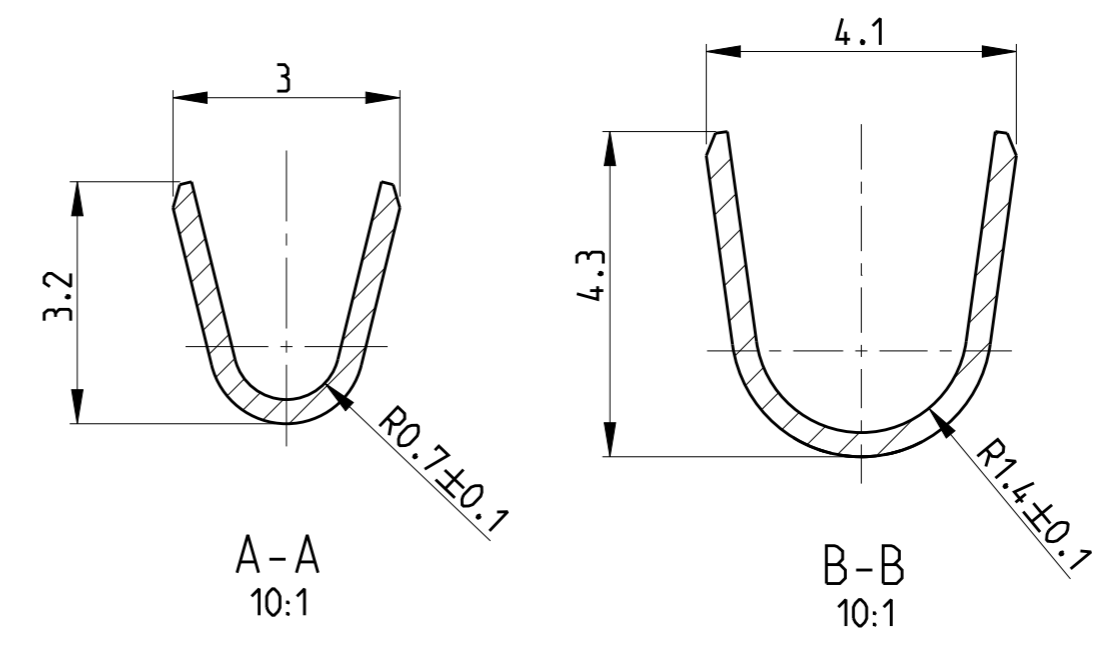
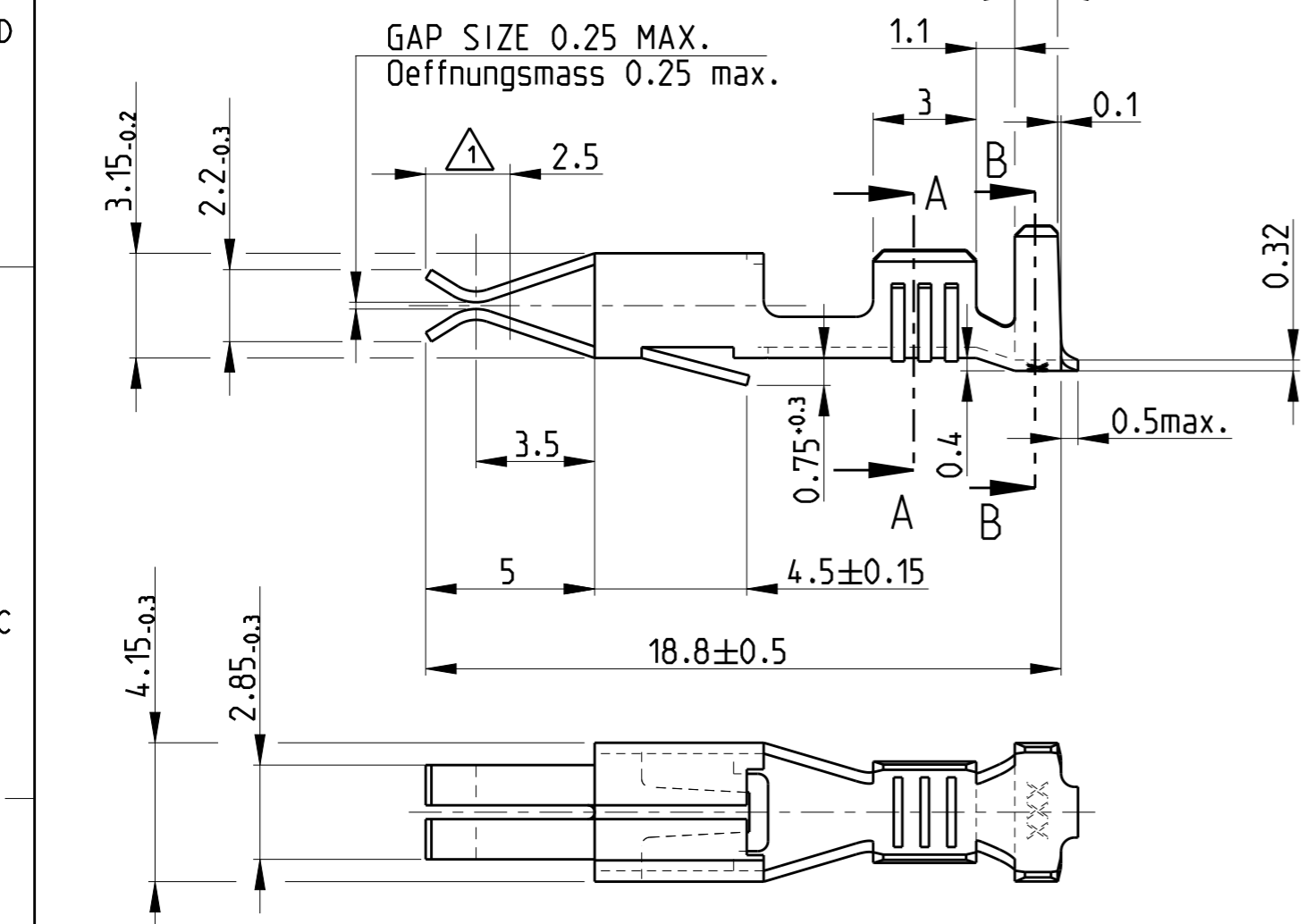


THIS DRAWING IS UNPUBLISHED. RELEASED FOR PUBLICATION 2005
 © COPYRIGHT 2005 ALL RIGHTS RESERVED.

LOC	DIST	REVISIONS					
A1	-	P	LTR	DESCRIPTION	DATE	DWN	APVD
			Y2	REVISED PER ECO-11-005027	19MAY2011	RK	HMR
			Y3	SET PN 925590-8 TO OBSOLETE	03MAR2015	Ho.	Eder
			Y4	ECR-15-012070	13AUG2015	JB JH	BK



Leitung/WIRE: FLK-Leitng/FLK-WIRE
 Leiter/WIRE: F-Crimp
 Isolation: F-Crimp

Drahtgroessenbereich 0.5-1.5 mm²
 WIRE RANGE 0.5-1.5 mm²
 Isolationsbereich Ø2.0-3.0 mm²
 ISOLATION RANGE Ø2.0-3.0 mm²

		CROSS - SECTION IN mm ² Leitungsquerschnitt in mm ²								
Einzel-anschlag SINGLE CONNECTION		0.50	0.75	1.00	1.50	2.00	2.50	3.00	4.00	6.00
		0.50	X	X						
0.75	X									
1.00	X									
1.50	X									
2.00										
2.50										
3.00										

SPLICE FREE	MATERIAL	SURFACE COLOR	PART NO	REV
	CuSn4	PRE TINED /vorverzint	1-925590-1	Y
	CuNi12Zn24	blank/PLAIN	1-925590-0	Y
nur fuer/ONLY FOR TYCO GB	CuSn4	PRE TINED /vorverzint	925590-9	Y
nur fuer/ONLY FOR TYCO Brasilien/BRASIL	CuSn4	ELECTRO TIN/verzint	925590-8	Y
	CuSn4	SILVER PLATED /versilbert	925590-6	Y
	CuSn4	PLAIN/blank	925590-5	Y
	CuZn30	PRESILVER /vorversilbert	925590-4	Y
	CuSn4	GOLD PLATED /vergoldet	925590-3	Y
	CuSn4	PRE TINED /vorverzint	925590-2	Y
	CuZn30	PRE TINED /vorverzint	925590-1	Y
NOTES/Bemerkungen	MATERIAL	SURFACE COLOR	PART NO	REV

THIS DRAWING IS A CONTROLLED DOCUMENT.

DIMENSIONS: mm

TOLERANCES UNLESS OTHERWISE SPECIFIED:
 0 PLC ±0.2
 1 PLC ±0.2
 2 PLC ±0.2
 3 PLC ±0.2
 4 PLC ±0.2
 ANGLES ±1°
 FINISH -

MATERIAL -

Customer Drawing

DWN 19SEP2005 Abraham.G.
 CHK 20SEP2005 Brunner.M.
 APVD 21SEP2005 Bleicher.M.

NAME: Junior-Timer-Kontakt
 Junior-Timer-Kontakt

TE Connectivity

SIZE A3 CAGE CODE 00779 DRAWING NO C-925590 RESTRICTED TO -

WEIGHT 0.35 g

SCALE 5:1 SHEET 1 OF 1 REV Y4

X-ON Electronics

Largest Supplier of Electrical and Electronic Components

Click to view similar products for [Automotive Connectors](#) category:

Click to view products by [TE Connectivity](#) manufacturer:

Other Similar products are found below :

[003-018-000](#) [600858](#) [60403001](#) [60993906-B](#) [60993913-B](#) [629515004020001](#) [M902-2131](#) [M902-2161](#) [M902-2344](#) [72.330.1035.1](#)
[73.353.4028.0](#) [F118010](#) [F119300-B](#) [F132210](#) [F132210-B](#) [F166900](#) [F180100](#) [F258300](#) [F258300-B](#) [F294300-B](#) [F339100](#) [F339700](#) [F358300-](#)
[B](#) [F374110](#) [F407400](#) [F412210](#) [F427600](#) [F444110](#) [F487000](#) [F495100-B](#) [F500900-B](#) [F509500B-B](#) [770444-1](#) [776880-1](#) [827153-1](#) [881735-1](#)
[8N1515-32-24P](#) [9-1326729-8](#) [925467-1](#) [925474-1](#) [928905-1](#) [936398-2](#) [964562-1](#) [964562-4](#) [964731-2](#) [965051-1](#) [968782-1](#) [GT17SA-8DS-](#)
[HU](#) [GT17VS-10DP-5.2CF](#) [98315-0001](#)