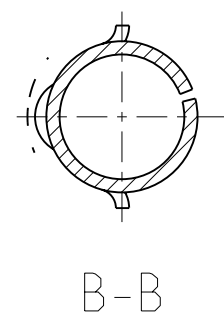
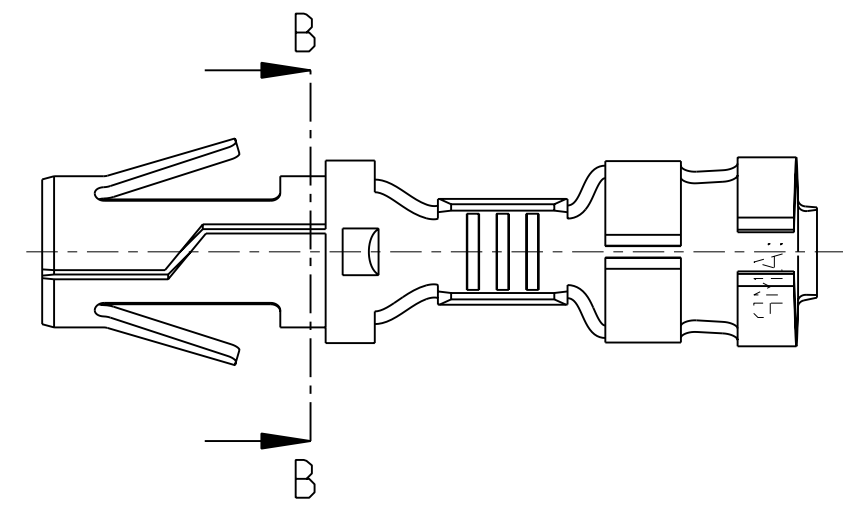
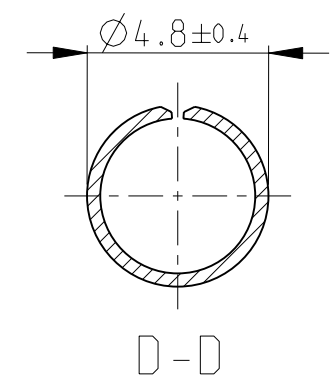
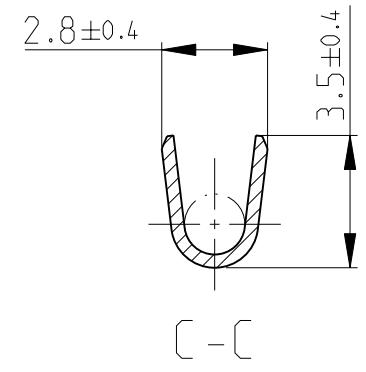
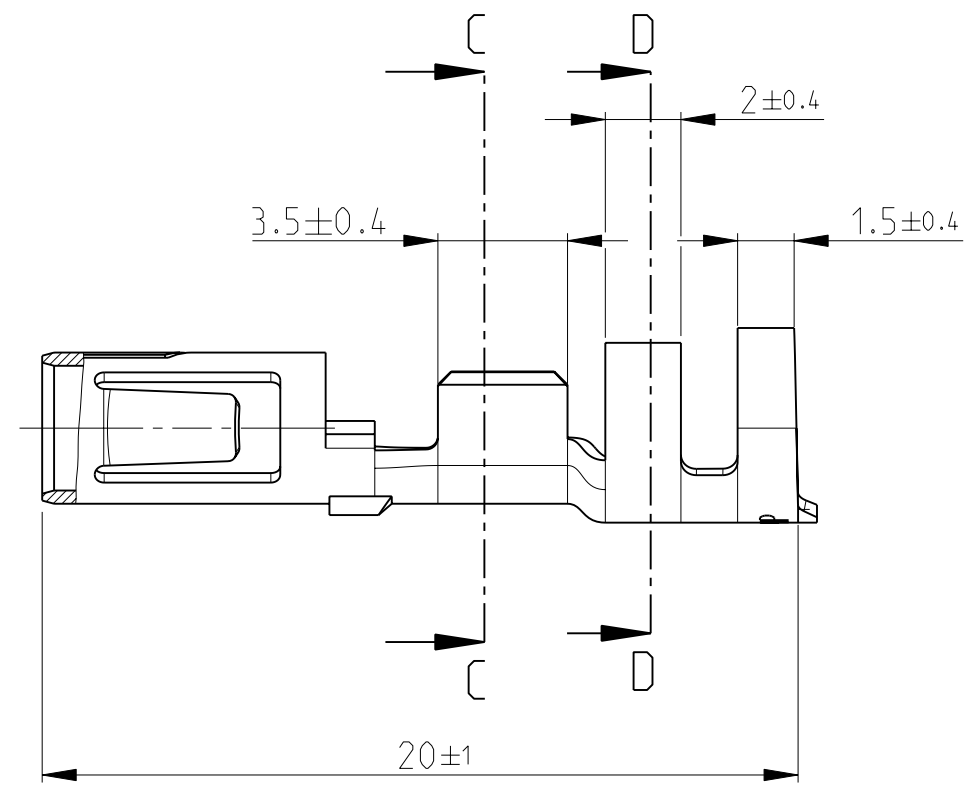


THIS DRAWING IS UNPUBLISHED. RELEASED FOR PUBLICATION 2008  
 © COPYRIGHT 2008 BY TYCO ELECTRONICS CORPORATION. ALL RIGHTS RESERVED.

LOC	DIST	REVISIONS				
P	LTR	DESCRIPTION	DATE	DWN	APVD	
AL	2	Y	New drawing released	21NOV2008	J.S	P.E.G
		Y1	REVISED PER ECO-10-000445	06FEB10	KK	HMR



Terminal Conductor: FLK-Cable  
 Conductor: F-Crimp  
 Insulation: F-Crimp

Cross section in mm <sup>2</sup>									
Single connection	0.50	0.75	1.00	1.50	2.00	2.50	3.00	4.00	6.00
0.50	X	X	X	X	X				
0.75	X	X	X	X					
1.00	X	X	X	X					
1.50	X	X							
2.00									
2.50									
3.00									
4.00									
6.00									

NOTE  
 1 OBSOLETE PARTS: OBSOLETE C IS STREAMLINING PER D.RENAUD/D.SINISI

1 OBSOLETE	Plain	Phosphor Bronze	925661-9
	Gold over Ni.	Phosphor Bronze	925661-7
1 OBSOLETE	Gold over Ni.	Phosphor Bronze	925661-6
	Plain	Phosphor Bronze	925661-4
	Silver	Phosphor Bronze	925661-3
	Pre-tin	Phosphor Bronze	925661-2
	Pre-tin	Brass	925661-1
	Finish	Material	Part no.

925661-8 strip free  
 Wire size range: 0.5-2.0 mm<sup>2</sup>

THIS DRAWING IS A CONTROLLED DOCUMENT FOR TYCO ELECTRONICS CORPORATION IT IS SUBJECT TO CHANGE AND THE CONTROLLING ENGINEERING ORGANIZATION SHOULD BE CONTACTED FOR THE LATEST REVISION.

DWN	J. Salo	21NOV2008	Tyco Electronics AMP España, S.A. Barcelona, Spain.
CHK	R. Sole	21NOV2008	
APVD	P.F.Grassano	21NOV2008	
PRODUCT SPEC	-	-	
APPLICATION SPEC	-	-	NAME .140 DIA SOCKET
WEIGHT	-	-	SIZE A3 CAGE CODE - DRAWING NO ©925661 RESTRICTED TO -
CUSTOMER DRAWING			SCALE 5:1 SHEET 1 OF 1 REV Y1

## X-ON Electronics

Largest Supplier of Electrical and Electronic Components

*Click to view similar products for [Pin & Socket Connectors](#) category:*

*Click to view products by [TE Connectivity](#) manufacturer:*

Other Similar products are found below :

[6450822-1](#) [770392-1](#) [794042-1](#) [796885-1](#) [8-794535-1](#) [881459-2](#) [R929993003](#) [1-350779-3](#) [1403611-1](#) [1-480349-5](#) [1586092-1](#) [1586129-1](#)  
[1586487-1](#) [1586681-4](#) [1586700-1](#) [1586065-1](#) [1586077-1](#) [1586368-1](#) [1586380-1](#) [1586680-5](#) [1586681-2](#) [1604996-1](#) [16-06-0038](#) [164164-5](#) [1-](#)  
[6609930-1](#) [172296-1](#) [1-794714-6](#) [19-09-2035](#) [1969804-1](#) [200503-1](#) [200788-2](#) [201046-7](#) [202648-4](#) [2029076-2](#) [2029090-4](#) [2029095-4](#) [2-](#)  
[66102-6](#) [925061-7](#) [926681-1](#) [293734-4](#) [293737-2](#) [1-765362-4](#) [1-794606-3](#) [1871534-1](#) [1969795-1](#) [1969798-1](#) [1969800-1](#) [200833-4](#)  
[2008625-2](#) [2029027-2](#)