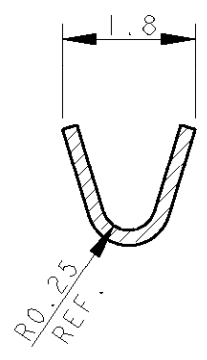


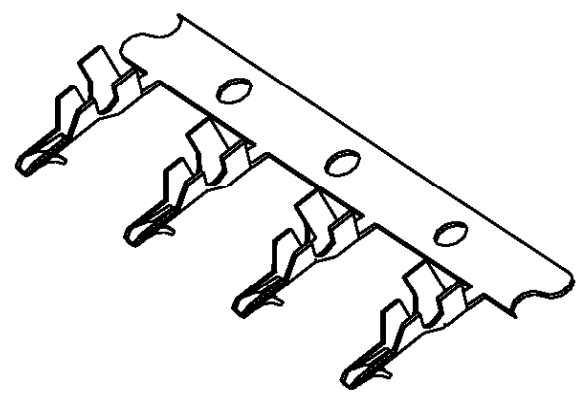
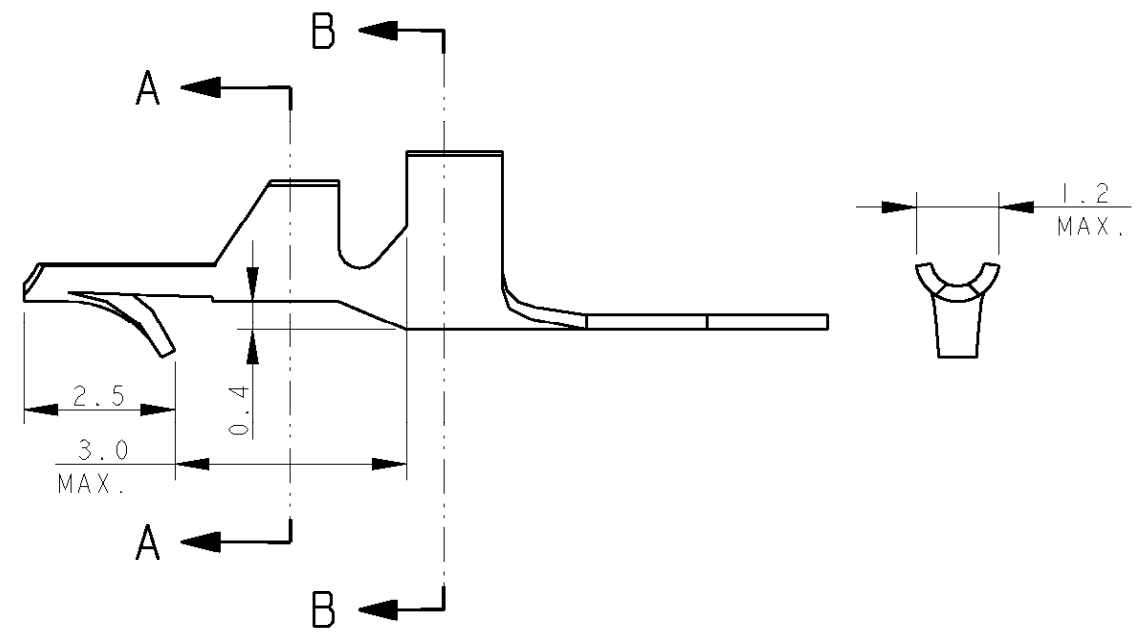
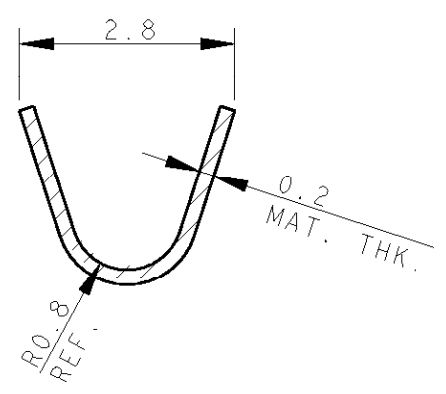
THIS DRAWING IS UNPUBLISHED. RELEASED FOR PUBLICATION  
 © COPYRIGHT ALL RIGHTS RESERVED.

LOC	DIST	REVISIONS			
P	LTR	DESCRIPTION	DATE	DWN	APVD
		S4 REVISED PER ECR-15-016719	17NOV2015	NK	GJ

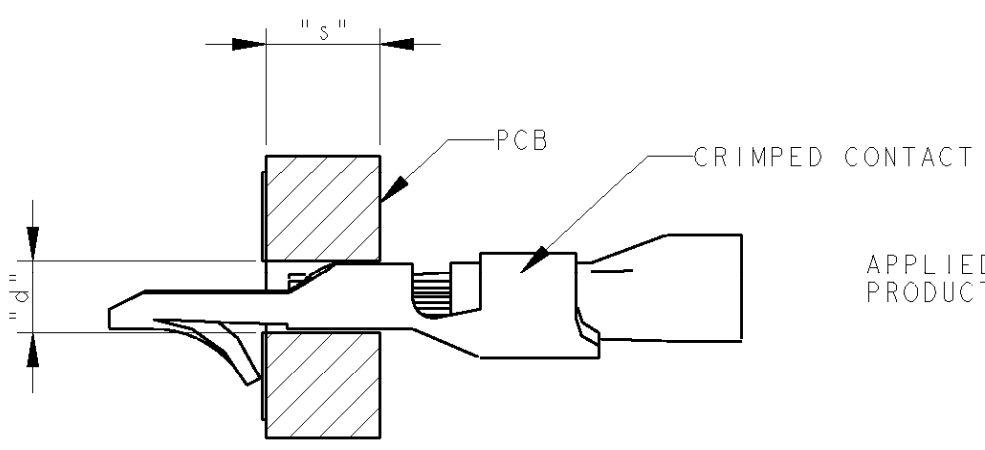
SECTION A-A



SECTION B-B



SCALE 3:1



APPLIED PRODUCT ILLUSTRATION

1 TERMINALS SUPPLIED ON REELS ON 8.40 CENTERS. ORIENTATION AS SHOWN.

(DIRECTION OFF TOP OF REEL)	
P/N 925819-3	ALETTE DI AGGRAFFATURA RIVOLTE VERSO L'ALTO ("U"ing UP)
P/N 925819-4	ALETTE DI AGGRAFFATURA RIVOLTE VERSO IL BASSO ("U"ing DOWN)

Ø1.00-1.52 [Ø.040-.060]	26-22	1.38±0.08 1.28±0.08	1.5 1.5 & 2	1	STAGNATO CON SOTTOSTRATO DI NICHEL (TIN OVER NICKEL)	OTTONE (BRASS)	925819-4 925819-3
INSULATION RANGE	WIRE RANGE [AWG]	HOLE DIA. "d" [mm]	PCB THK. "s" [mm]	NOTE	FINITURA/COLORE (FINISH/COLOUR)	MATERIALE (MATERIAL)	TE CONNECTIVITY PART NUMBER

DIMENSIONS: mm		TOLERANCES UNLESS OTHERWISE SPECIFIED:		DWN 03JUL2003 H. YAALI		<b>TE</b> TE Connectivity	
		0 PLC ± - 1 PLC ± 0.3 2 PLC ± - 3 PLC ± - 4 PLC ± - ANGLES ± 2°		CHK C. TARTARI			
MATERIAL AS TABLE		FINISH AS TABLE		APVD -		NAME	
				PRODUCT SPEC -		MINI AMP-IN CONTACT (STRIP FORM)	
				APPLICATION SPEC 114-1016		SIZE CAGE CODE DRAWING NO RESTRICTED TO	
				WEIGHT -		A3 00779 ©- 925819	
				CUSTOMER DRAWING		SCALE 10: SHEET 1 OF 1 REV S4	

2 COMPLIES WITH TE SOLDERABILITY SPECIFICATION TEC-109-11-1

3 OBSOLETE

## X-ON Electronics

Largest Supplier of Electrical and Electronic Components

*Click to view similar products for [Pin & Socket Connectors](#) category:*

*Click to view products by [TE Connectivity](#) manufacturer:*

Other Similar products are found below :

[6450822-1](#) [770392-1](#) [794042-1](#) [796885-1](#) [8-794535-1](#) [PLR3455ACS-222](#) [R929991004](#) [R929993003](#) [1403611-1](#) [1-480349-5](#) [152302-5](#)  
[153211-2](#) [1586092-1](#) [1586129-1](#) [1586681-4](#) [1586700-1](#) [1586368-1](#) [1586380-1](#) [1586616-1](#) [1586680-5](#) [16-06-0038](#) [164164-5](#) [1-6609930-1](#)  
[172296-1](#) [19-09-2035](#) [200503-1](#) [200788-2](#) [2029090-4](#) [2029095-4](#) [925061-7](#) [293734-4](#) [293737-2](#) [1-765362-4](#) [1871534-1](#) [200833-4](#)  
[2008625-2](#) [2029027-2](#) [2029096-4](#) [R929991000](#) [R929991002](#) [R929993000](#) [319-10-101-00-005000](#) [319-10-102-00-001000](#) [319-10-104-00-001000](#) [319-10-105-00-001000](#) [319-10-108-00-001000](#) [319-10-112-00-006000](#) [39-01-8019](#) [319-10-101-00-001000](#) [319-10-102-00-005000](#)