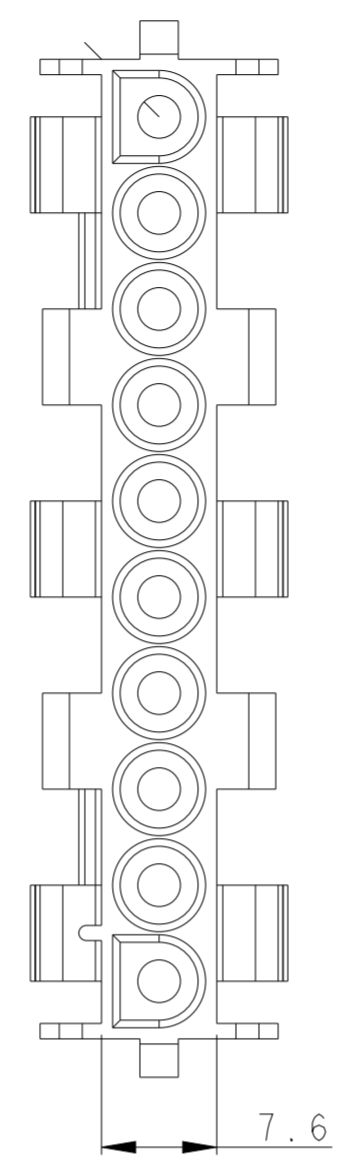
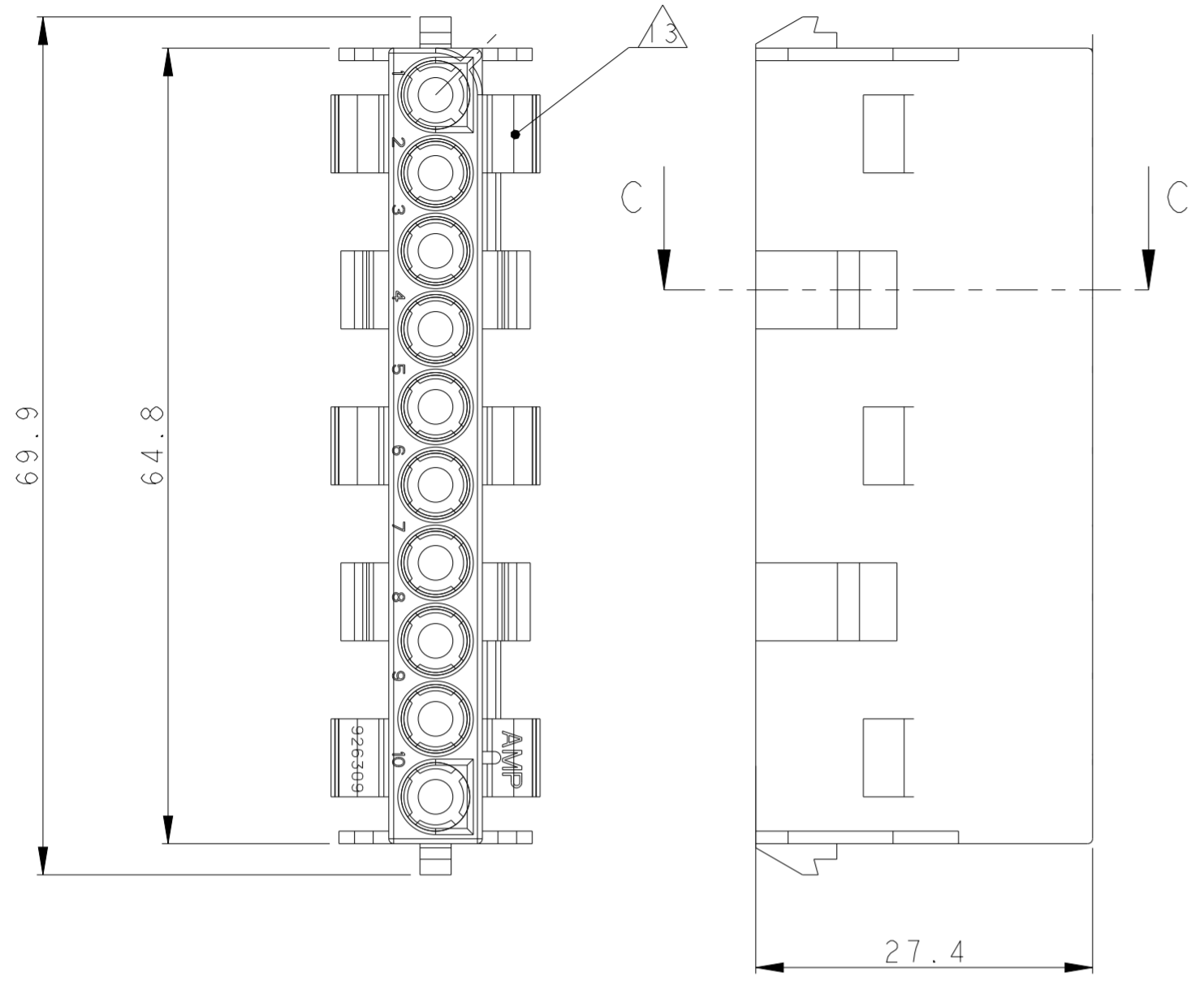


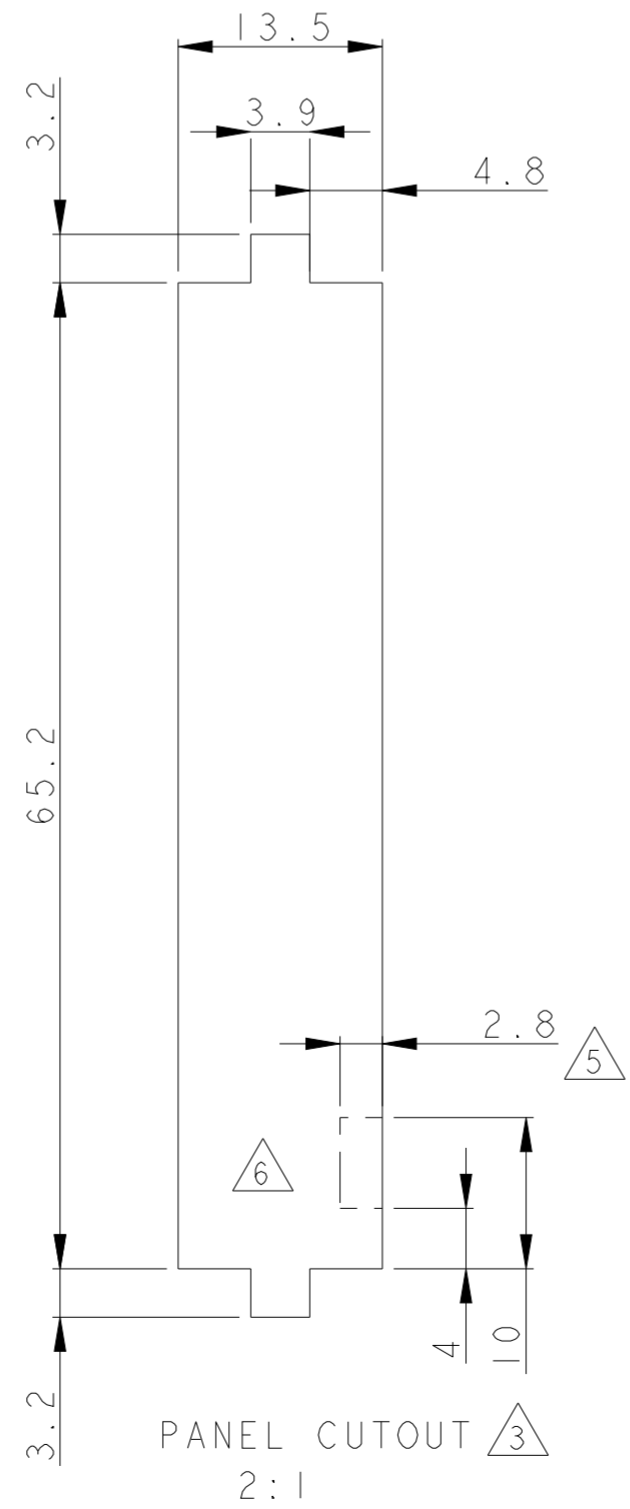
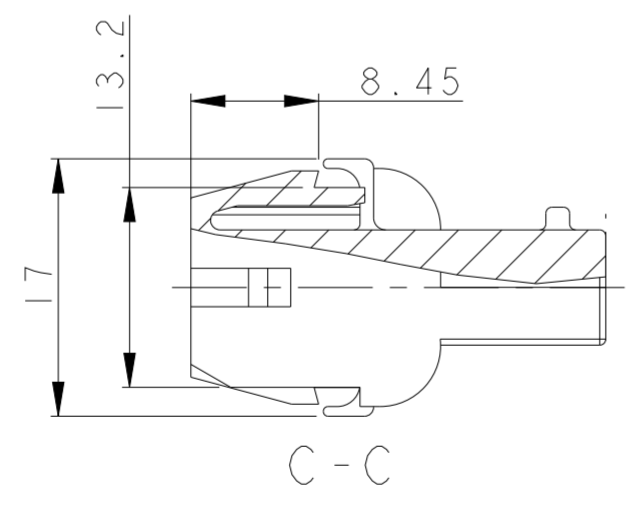
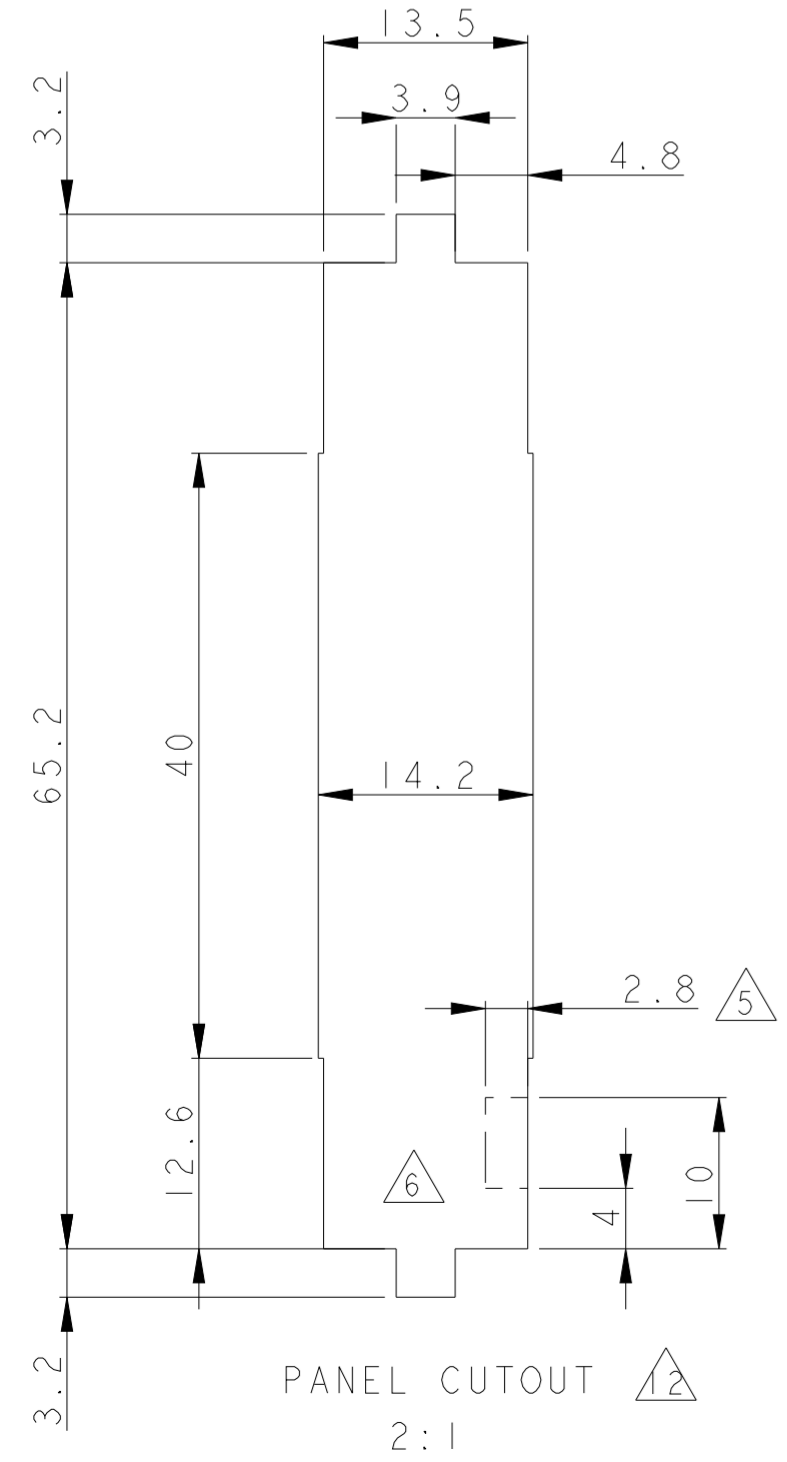
THIS DRAWING IS UNPUBLISHED. RELEASED FOR PUBLICATION
 © COPYRIGHT copyright.d8Te- ALL RIGHTS RESERVED.

REVISIONS				
P	LTR	DESCRIPTION	DATE	APVD
J3		REVISED PER ECR-17-014951	16OCT2017	BDA KR
J4		REVISED PER ECR-21-116188	05NOV2021	SS VS
K		REVISED PER ECR-21-120470	12NOV2021	SS VS



- 1 SUITABLE FOR UMNL PIN AND SOCKET CONTACTS
- 2 SUITABLE FOR UMNL PLUG HOUSING PN 926302
- 3 RECOMMENDED PLATE THICKNESS 0.75-2.3mm
- 4 HOUSING TIGHT CLOSURE ARE INTRODUCED INTO PUNCHING DIRECTION
- 5 ENCRYPTED FOR INSERTION OF THE HOUSING
- 6 POSITION OF THE CHAMBER I AT ENCRYPTED USING THE HOUSING
- 7 NEW MATERIAL (PHOSPHORUS AND HALOGEN FREE)
- 8 BULK IN BAG AND SHIPPING CARTON ON 973057-2
- 9 GLOW-WIRE TEST 750°C(WITHOUT FLAME) ACCORDING TO IEC60335-1 EDITION 6/2001
- 10 PRELIMINARY PART NOT RELEASED FOR PRODUCTION
- 11 COLOR OF HOUSINGS MAY RANGE FROM CLEAR TO GREEN OR YELLOW DUE TO HYGROSCOPIC NATURE OF RESIN. HOWEVER IT DOESN'T AFFECT THE FORM. FIT AND FUNCTION OF THE PRODUCT.
- 12 ADD PANEL CUTOUT ONLY FOR LASER CUT PROCESS.
- 13 CSA CERTIFICATION LOGO LOCATED APPROXIMATELY AS SHOWN.
- 14 DIMENSIONS SHOWN REPRESENT PRODUCT IN DRY, AS MOLDED, CONDITION. ADDITIONAL 2% GROWTH DUE TO SUBSEQUENT MOISTURE ABSORPTION MAY OCCUR AND SHOULD BE ACCOUNTED FOR.

PANEL CUTOUT ONLY USE FOR LASER PROCESS



OBSOLETE	COLOUR	MATERIAL	PART NUMBER
	NATURAL	PA66 UL94-V0 GWT 750 °C	926309-7
	NATURAL	PA6. UL94-V0	926309-6
	NATURAL	PA66 UL94-V2	926309-5
	WHITE	PA6.6 UL94-V0	926309-4
	NATURAL	VYDYNE ECO315J	926309-3
	BLACK	PA6.6 UL94-V0	926309-2
	NATURAL	PA66 UL94-V2	926309-1

THIS DRAWING IS A CONTROLLED DOCUMENT.

DWN MGT	11DEC2012	TE Connectivity
CHK R.P	11DEC2012	
APVD R.P	11DEC2012	
DIMENSIONS: mm TOLERANCES UNLESS OTHERWISE SPECIFIED: 0 PLC ±0.2 1 PLC ±0.2 2 PLC ±0.2 3 PLC ± 4 PLC ± ANGLES ± FINISH -		NAME: UMNL 10 WAY CAP HOUSING SIZE: A2 CAGE CODE: C-926309 DRAWING NO: 926309 RESTRICTED TO:
MATERIAL REFER TABLE		WEIGHT: - SCALE: 1:1 SHEET: OF REV: K

X-ON Electronics

Largest Supplier of Electrical and Electronic Components

Click to view similar products for [Pin & Socket Connectors](#) category:

Click to view products by [TE Connectivity](#) manufacturer:

Other Similar products are found below :

[6450822-1](#) [770392-1](#) [794042-1](#) [796885-1](#) [8-794535-1](#) [PLR3455ACS-222](#) [R929991004](#) [R929993003](#) [1403611-1](#) [1-480349-5](#) [152302-5](#)
[153211-2](#) [1586092-1](#) [1586129-1](#) [1586681-4](#) [1586700-1](#) [1586368-1](#) [1586380-1](#) [1586616-1](#) [1586680-5](#) [16-06-0038](#) [164164-5](#) [1-6609930-1](#)
[172296-1](#) [19-09-2035](#) [200503-1](#) [200788-2](#) [2029090-4](#) [2029095-4](#) [925061-7](#) [293734-4](#) [293737-2](#) [1-765362-4](#) [1871534-1](#) [200833-4](#)
[2008625-2](#) [2029027-2](#) [2029096-4](#) [R929991000](#) [R929991002](#) [R929993000](#) [319-10-101-00-005000](#) [319-10-102-00-001000](#) [319-10-104-00-001000](#) [319-10-105-00-001000](#) [319-10-108-00-001000](#) [319-10-112-00-006000](#) [39-01-8019](#) [319-10-101-00-001000](#) [319-10-102-00-005000](#)