



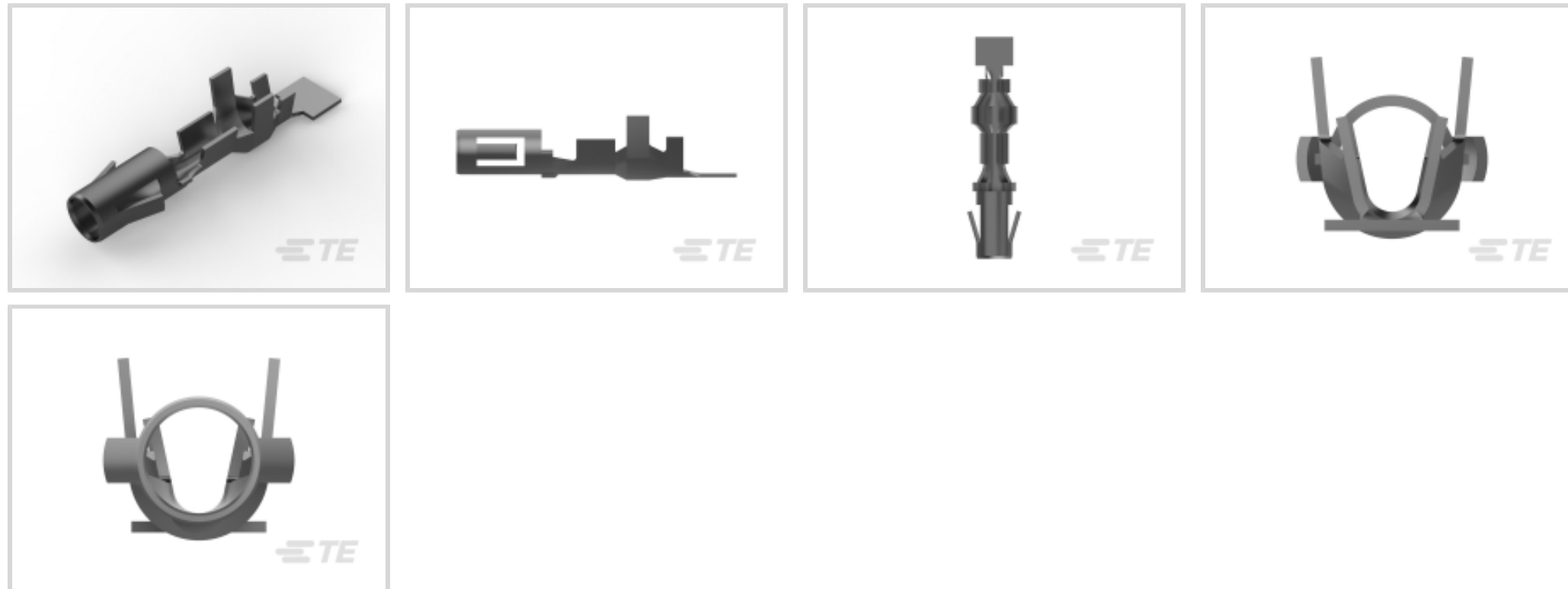
MATE-N-LOK | Commercial MATE-N-LOK

TE Internal #: 926986-2

Commercial MATE-N-LOK, Connector Contacts, Socket, Pre-Tin, Pre-Tin, Operating Voltage 250 VAC, With Contact Retention Within Housing, Wire-to-Wire

[View on TE.com >](#)

Connectors > Rectangular Connectors > Connector Contacts



Contact Type: **Socket**

Contact Mating Area Plating Material: **Pre-Tin**

Wire Contact Termination Area Plating Material: **Pre-Tin**

Operating Voltage: **250 VAC**

Contact Retention Within Housing: **With**

**Features**

**Product Type Features**

Connector System	Wire-to-Wire
Connector & Contact Terminates To	Wire & Cable

**Configuration Features**

Compatible With Wire & Cable Type	Discrete Wire
-----------------------------------	---------------

**Electrical Characteristics**

Operating Voltage	250 VAC
-------------------	---------

**Contact Features**

Contact Diameter	3.56 mm[.14 in]
Contact Type	Socket
Contact Mating Area Plating Material	Pre-Tin
Wire Contact Termination Area Plating Material	Pre-Tin
Contact Retention Within Housing	With
Contact Base Material	Phosphor Bronze
Contact Current Rating (Max)	28 A



### Termination Features

Termination Method to Wire & Cable	Crimp
------------------------------------	-------

### Mechanical Attachment

Contact Retention Type Within Housing	Locking Lance
Connector Mounting Type	Cable Mount (Free-Hanging)

### Dimensions

Accepts Wire Insulation Diameter Range	1.2 – 2.39 mm [.047 – .094 in]
Wire Size	.5 – 1.5 mm <sup>2</sup>

### Usage Conditions

Operating Temperature Range	-55 – 105 °C [-67 – 221 °F]
-----------------------------	-----------------------------

### Operation/Application

Circuit Application	Power
---------------------	-------

### Packaging Features

Packaging Method	Carton
Packaging Quantity	2500

### Product Compliance

[For compliance documentation, visit the product page on TE.com>](#)

EU RoHS Directive 2011/65/EU	Compliant
EU ELV Directive 2000/53/EC	Compliant
China RoHS 2 Directive MIIT Order No 32, 2016	No Restricted Materials Above Threshold
EU REACH Regulation (EC) No. 1907/2006	Current ECHA Candidate List: JUN 2020 (209) Candidate List Declared Against: JUN 2020 (209) Does not contain REACH SVHC
Halogen Content	Low Halogen - Br, Cl, F, I < 900 ppm per homogenous material. Also BFR/CFR/PVC Free
Solder Process Capability	Not applicable for solder process capability

#### Product Compliance Disclaimer

This information is provided based on reasonable inquiry of our suppliers and represents our current actual knowledge based on the information they provided. This information is subject to change. The part numbers that TE has identified as EU RoHS compliant have a maximum concentration of 0.1% by weight in homogenous materials for lead, hexavalent chromium, mercury, PBB, PBDE, DBP, BBP, DEHP, DIBP, and 0.01% for cadmium, or qualify for an exemption to these

limits as defined in the Annexes of Directive 2011/65/EU (RoHS2). Finished electrical and electronic equipment products will be CE marked as required by Directive 2011/65/EU. Components may not be CE marked. Additionally, the part numbers that TE has identified as EU ELV compliant have a maximum concentration of 0.1% by weight in homogenous materials for lead, hexavalent chromium, and mercury, and 0.01% for cadmium, or qualify for an exemption to these limits as defined in the Annexes of Directive 2000/53/EC (ELV). Regarding the REACH Regulation, the information TE provides on SVHC in articles for this part number is based on the latest European Chemicals Agency (ECHA) 'Guidance on requirements for substances in articles' posted at this URL: <https://echa.europa.eu/guidance-documents/guidance-on-reach>

## Compatible Parts



TE Part # 1-480510-0  
04P .140 MNL PLUG NAT



TE Part # 539764-1  
EXTRACTION TOOL



TE Part # 2305570-1  
TERMINAL CUTTER, SIDE FEED



TE Part # 1-480585-0  
09P .140 MNL PLUG NAT



TE Part # 1-350346-0  
03P .140 MNL PLUG P/M NAT



TE Part # 1-350344-0  
02P .140 MNL PLUG NAT



TE Part # 1-480672-0  
09P .140 MNL PLUG PM NAT



TE Part # 925451-1  
M-N-L SOCKET HSG



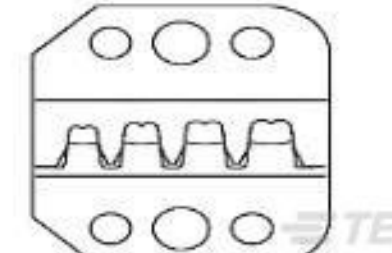
TE Part # 880124  
9 CIR PLUG 140DIA PANEL MT NAT



TE Part # 1-480672-4  
09P .140 MNL PLUG YEL



TE Part # 1-480672-9  
09P .140 MNL PLUG PM BLK



TE Part # 1752938-2  
SDE DIE SET 3.5 MM MNL



TE Part # 2-2151475-1  
OCEAN\_2.0\_Applicator-S-100F110F



TE Part # 2-2151475-2  
OCEAN\_2.0\_Applicator-S-100F110F



TE Part # 2151475-1  
OCEAN\_2.0\_Applicator-S-100F110F



TE Part # 2151475-2  
OCEAN\_2.0\_Applicator-S-100F110F




TE Part # 7-2151475-1  
OCEAN\_2.0\_Applicator-S-100F110F



TE Part # 7-2151475-2  
OCEAN\_2.0\_Applicator-S-100F110F




**KIT**  
REPRESENTATION ONLY  
TE Part # 7-2151475-7  
OCEAN\_2.0\_SPARE\_PART\_KIT-100F110F



TE Part # 794699-1  
02P .140 MNL PLUG BLK HT


## Also in the Series | Commercial MATE-N-LOK



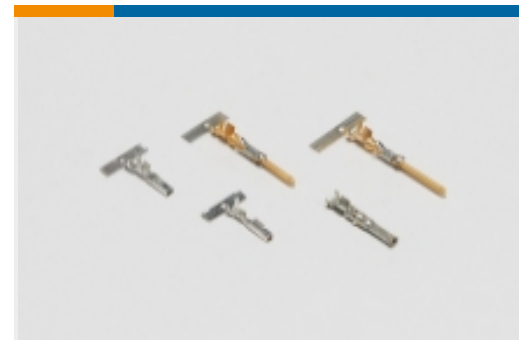
Connector Contacts(51)




Crimp Wire Pins, Tabs & Ferrules(3)




Insertion & Extraction Tools(5)



Power Contacts(132)




Rectangular Caps & Covers(2)




Rectangular Connector Housings(20)



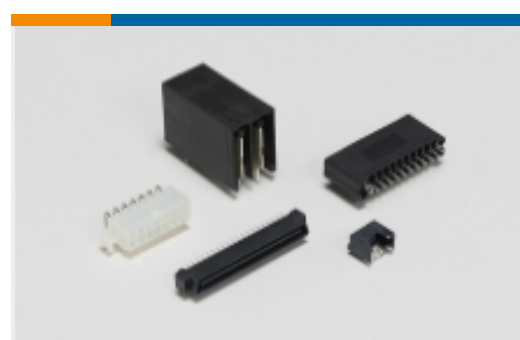
Rectangular Connector Seals(1)




Rectangular Power Connectors(171)



Standard Circular Connectors(4)



Standard Rectangular Connectors(10)

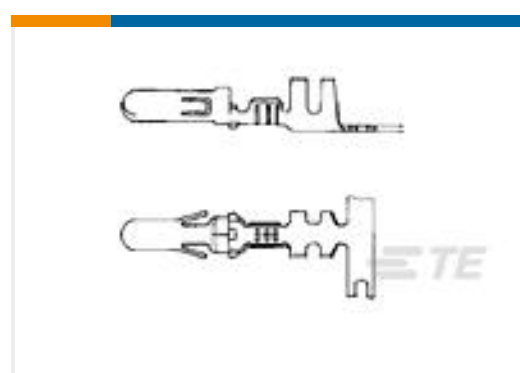


Wire-to-Board Connector Contacts(1)

## Customers Also Bought



TE Part #3-179555-6  
DYNAMIC D-3200 WTW TAB HSG 12P



TE Part #926988-1  
MNL STIFT 3,5 MM



TE Part #880687-2  
.140 DIA SOCKET



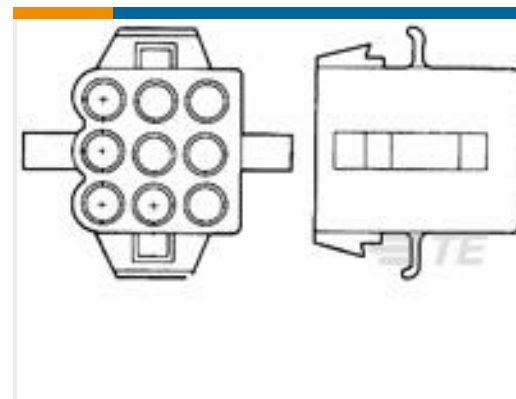
TE Part #927852-6  
PL 250 REC TERMINAL 20-17 AWG PTPB



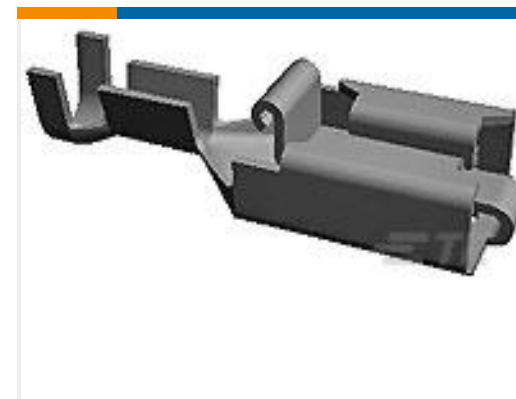
TE Part #1-965640-5  
TIMER, CONNECTOR HOUSING



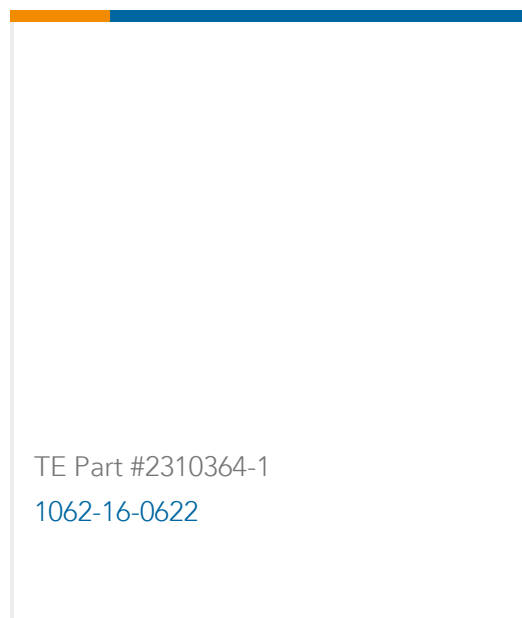
TE Part #964324-1  
TIMER, RECEPTACLE AND TAB



TE Part #880124  
9 CIR PLUG 140DIA PANEL MT NAT



TE Part #880646-5  
PL REC 0.5-1.0 MM2 0.40 X 52.32  
PTPBR



TE Part #2310364-1  
1062-16-0622

## Documents

### Product Drawings

#### MNL BUCHSE 3,5 MM

German

### CAD Files

#### Customer View Model

[ENG\\_CVM\\_926986-2\\_A.3d\\_igs.zip](#)

English

#### Customer View Model

[ENG\\_CVM\\_926986-2\\_A.3d\\_stp.zip](#)

English

#### Customer View Model

[ENG\\_CVM\\_926986-2\\_A.2d\\_dxf.zip](#)

English

### 3D PDF

English

By downloading the CAD file I accept and agree to the [Terms and Conditions](#) of use.

### Product Specifications

#### Product Specification

English

## X-ON Electronics

Largest Supplier of Electrical and Electronic Components

*Click to view similar products for [Pin & Socket Connectors](#) category:*

*Click to view products by [TE Connectivity](#) manufacturer:*

Other Similar products are found below :

[6450822-1](#) [770392-1](#) [794042-1](#) [796885-1](#) [8-794535-1](#) [881459-2](#) [R929993003](#) [1-350779-3](#) [1403611-1](#) [1-480349-5](#) [1586092-1](#) [1586129-1](#)  
[1586487-1](#) [1586681-4](#) [1586700-1](#) [1586065-1](#) [1586077-1](#) [1586368-1](#) [1586380-1](#) [1586680-5](#) [1586681-2](#) [1604996-1](#) [16-06-0038](#) [164164-5](#) [1-](#)  
[6609930-1](#) [172296-1](#) [1-794714-6](#) [19-09-2035](#) [1969804-1](#) [200503-1](#) [200788-2](#) [201046-7](#) [202648-4](#) [2029076-2](#) [2029090-4](#) [2029095-4](#) [2-](#)  
[66102-6](#) [925061-7](#) [926681-1](#) [293734-4](#) [293737-2](#) [1-765362-4](#) [1-794606-3](#) [1871534-1](#) [1969795-1](#) [1969798-1](#) [1969800-1](#) [200833-4](#)  
[2008625-2](#) [2029027-2](#)