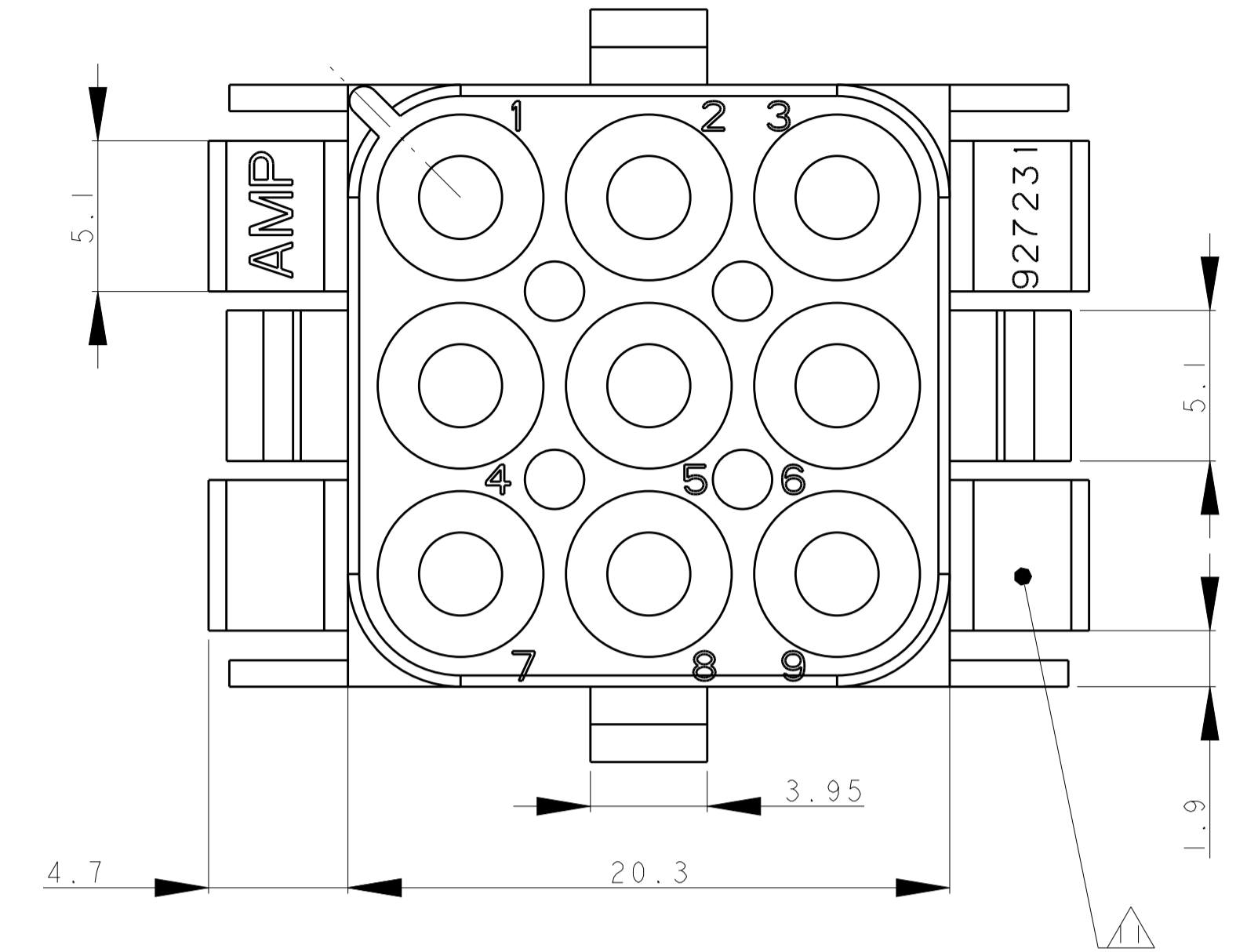
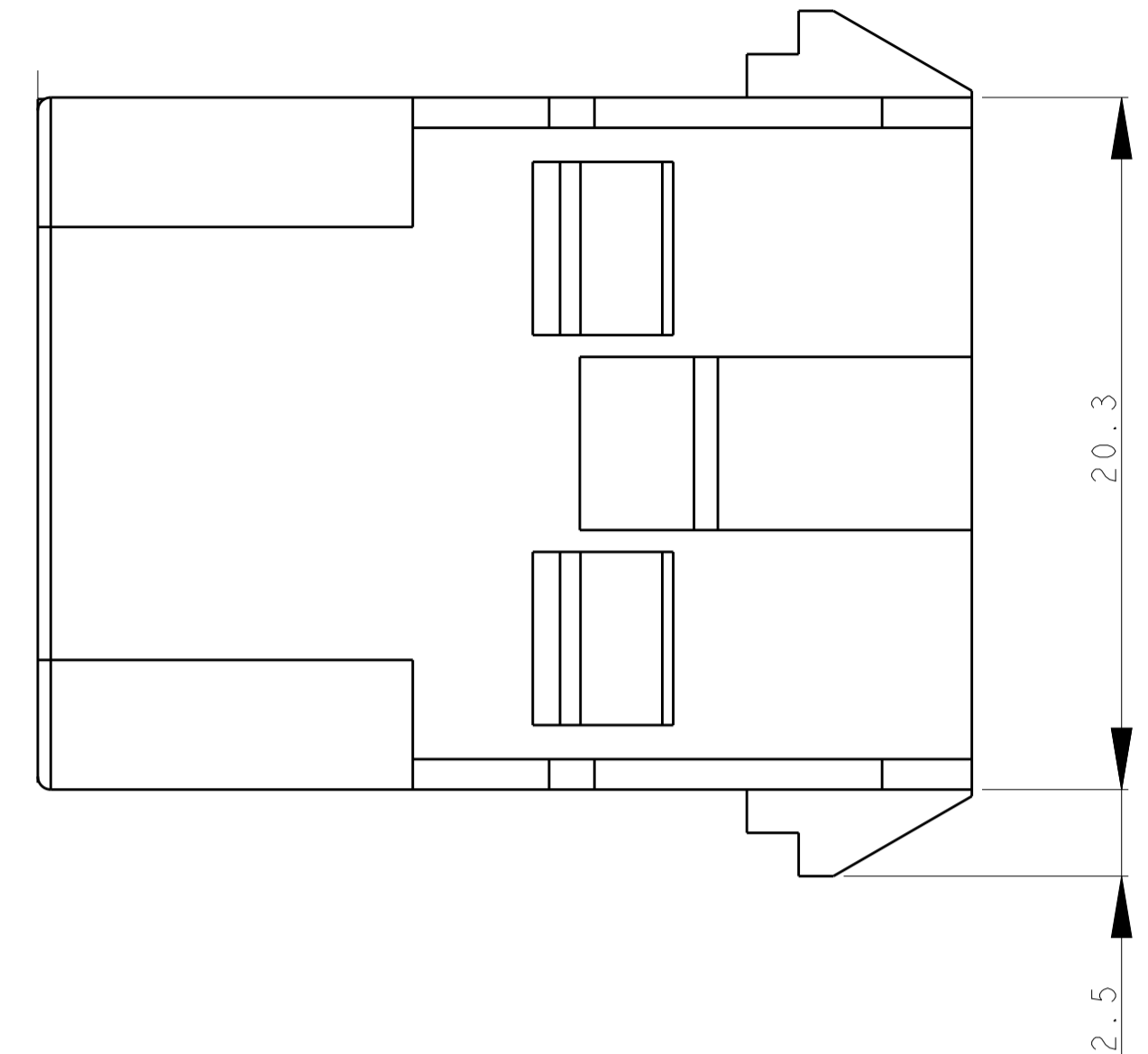
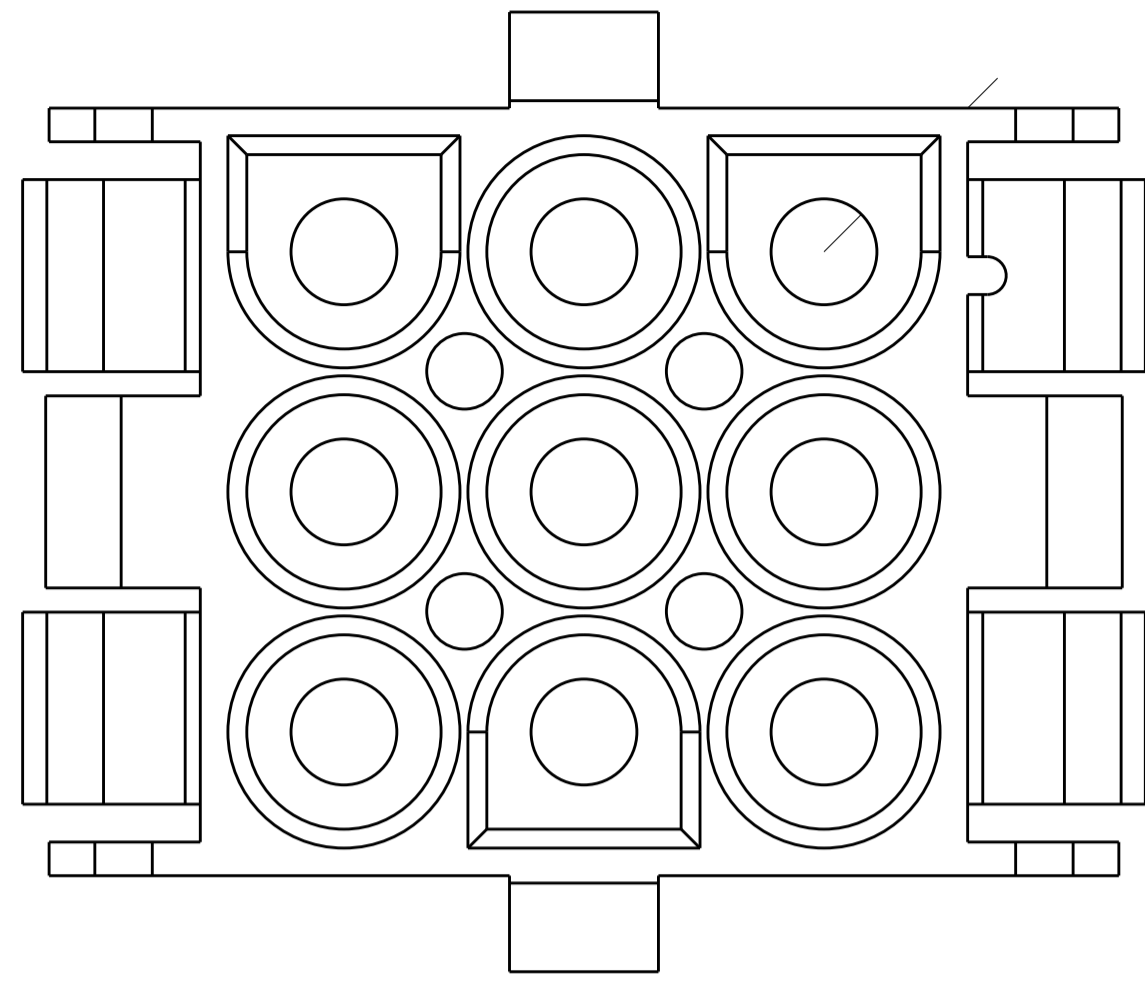
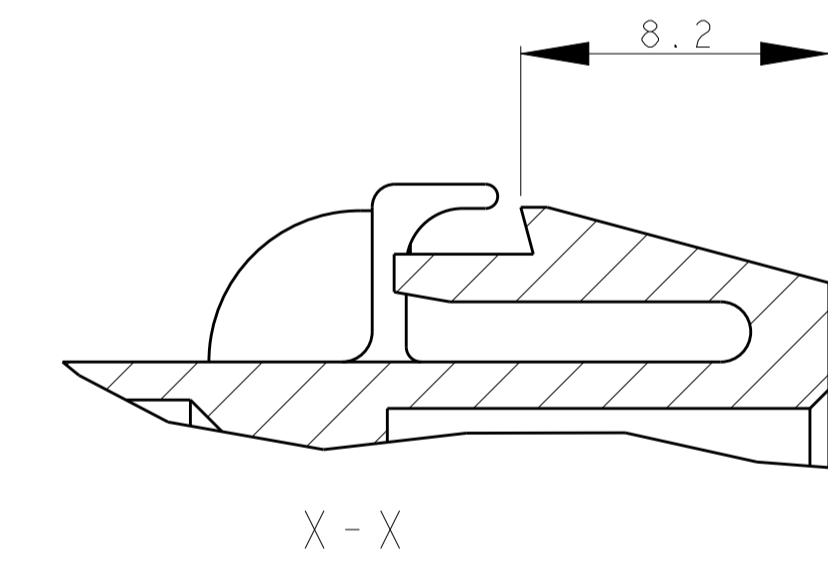
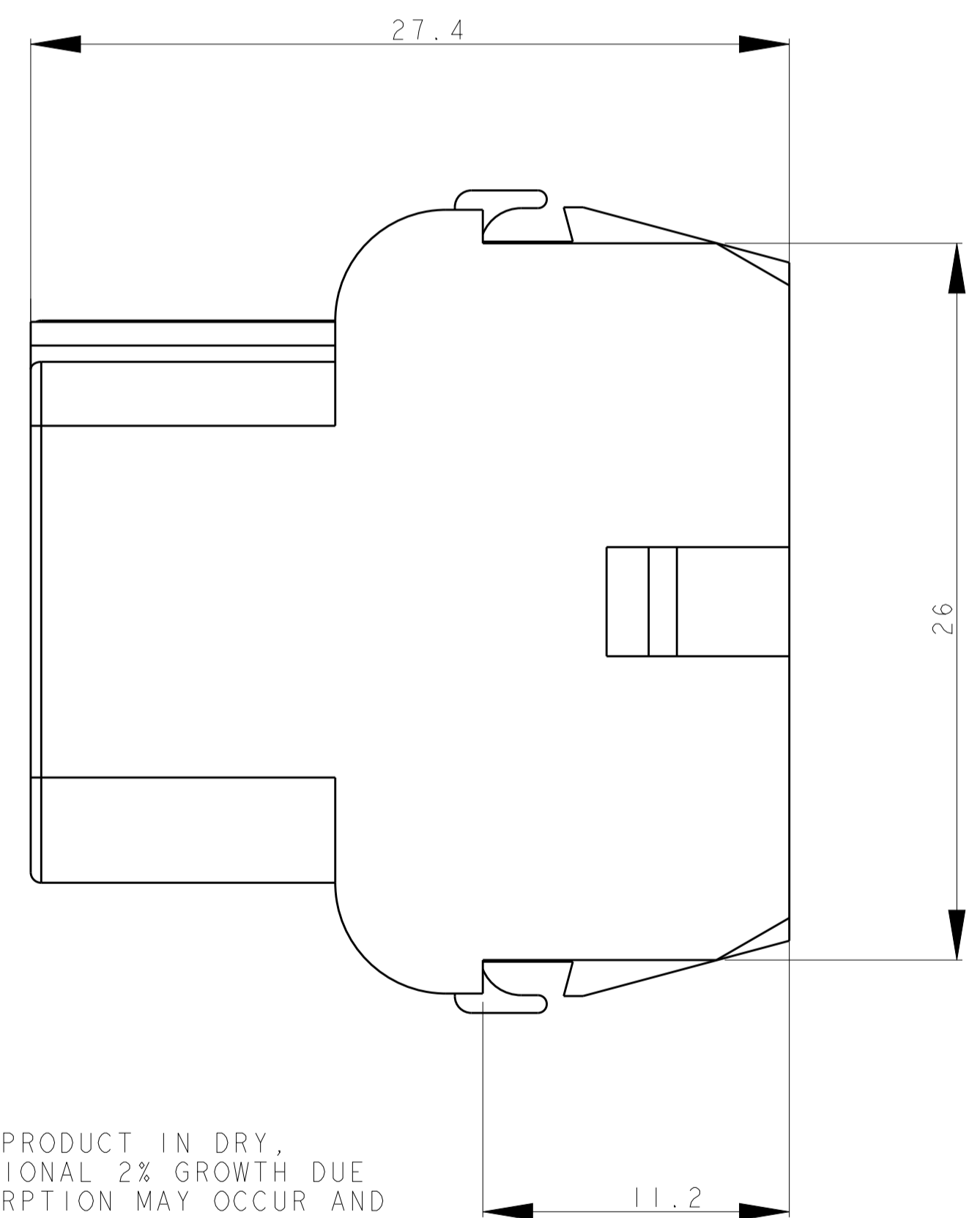
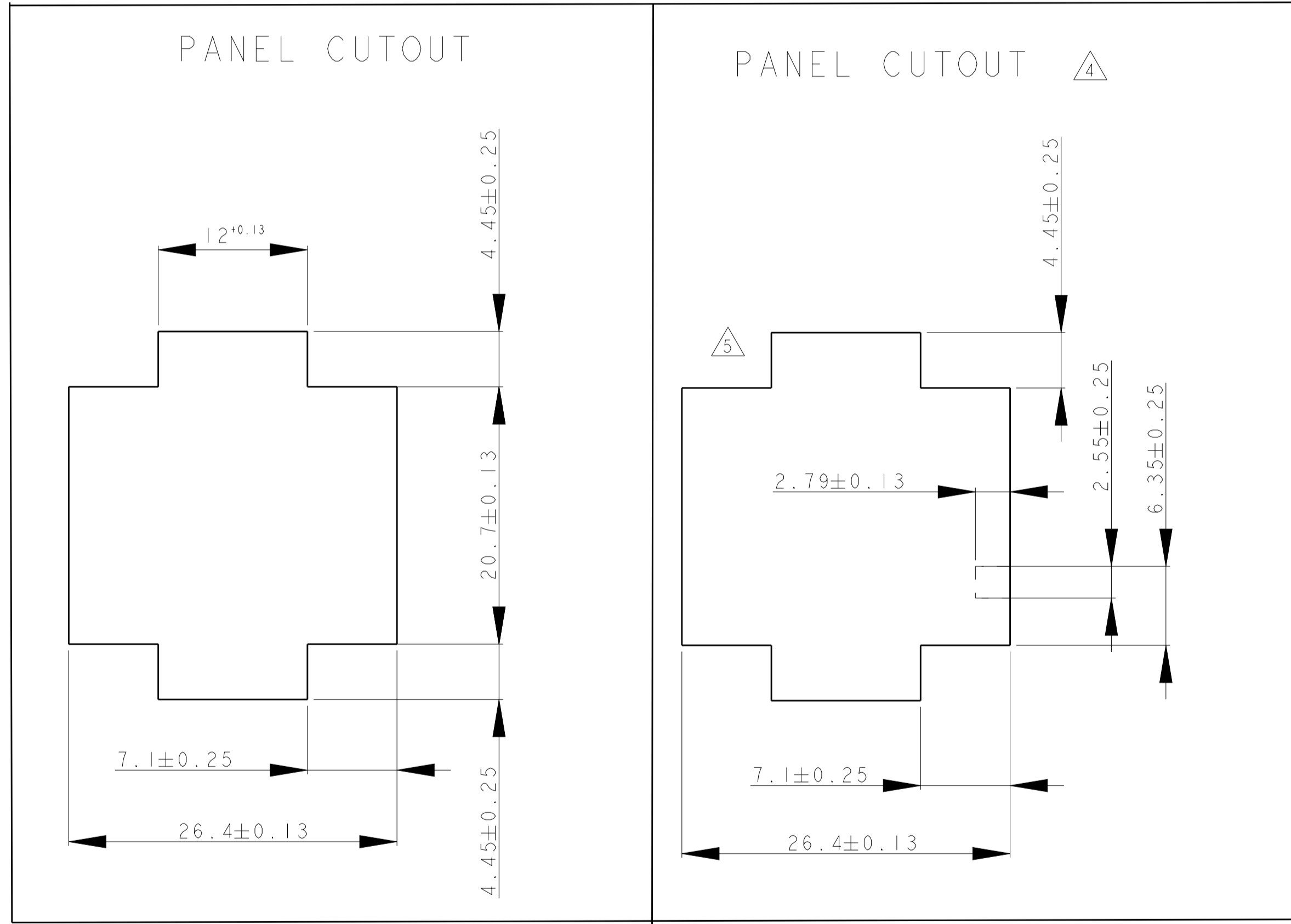


REVISIONS				
P.	LTN	DESCRIPTION	DATE	OWN APVD
	F8	REVISED PER ECR-17-014951	16OCT2017	BDA KR



PANEL CUTOUT USE FOR PUNCH CUT



- 1 SUITABLE FOR PIN AND FEMALE CONTACTS
- 2 RECOMMENDED SHEET METAL THICKNESS 0,75-2,3mm.
- 3 HOUSING MUST BE INTRODUCED IN PUNCHING DIRECTION.
- 4 FOR CODED USING OF THE HOUSINGS
- 5 POSITION OF CAVITY I FOR CODED USING
- 6 NEW MATERIAL (PHOSPOR AND HALOGENEUS FREE).
- 7 GWT 750°C(WITHOUT FLAME) ACCORDING IEC 60335-1 EDITION 06/2001
- 8 MATERIAL WITH GWFI 850°C
- 9 PRELIMINARY PRAT NOT RELEASED FOR PRODUCTION
- 10 ADD PANEL CUTOUT ONLY FOR LASER CUT PROCESS.
- 11 CSA CERTIFICATION LOGO LOCATED APPROXIMATELY AS SHOWN

12 DIMENSIONS SHOWN REPRESENT PRODUCT IN DRY, AS MOLDED, CONDITION. ADDITIONAL 2% GROWTH DUE TO SUBSEQUENT MOISTURE ABSORPTION MAY OCCUR AND SHOULD BE ACCOUNTED FOR.

927231-7	PA66 UL-94 V0	NATURAL	7
927231-6	PA66 UL-94 V0	NATURAL	9
927231-5	PA66 UL-94 V2	NATURAL	7 8
927231-4	PA66 UL-94 V0	WHITE	
927231-3	PA66 UL-94 V0	NATURAL	6
927231-2	PA66 UL-94 V0	BLACK	
927231-1	PA66 UL-94 V0	NATURAL	
PN	MATERIAL	COLOUR	

THIS DRAWING IS A CONTROLLED DOCUMENT.

DIMENSIONS:	TOLERANCES UNLESS OTHERWISE SPECIFIED:	0 PLC ± 0.2	1 PLC ± 0.2	2 PLC ± 0.2	3 PLC ± 0.2	4 PLC ± 0.2	ANGLES ± 1°	FINISH
-------------	--	-------------	-------------	-------------	-------------	-------------	-------------	--------

MATERIAL: - FINISH: - WEIGHT: -

CUSTOMER DRAWING

SCALE: 5:1 SHEET: 1 OF 2 REV: F8

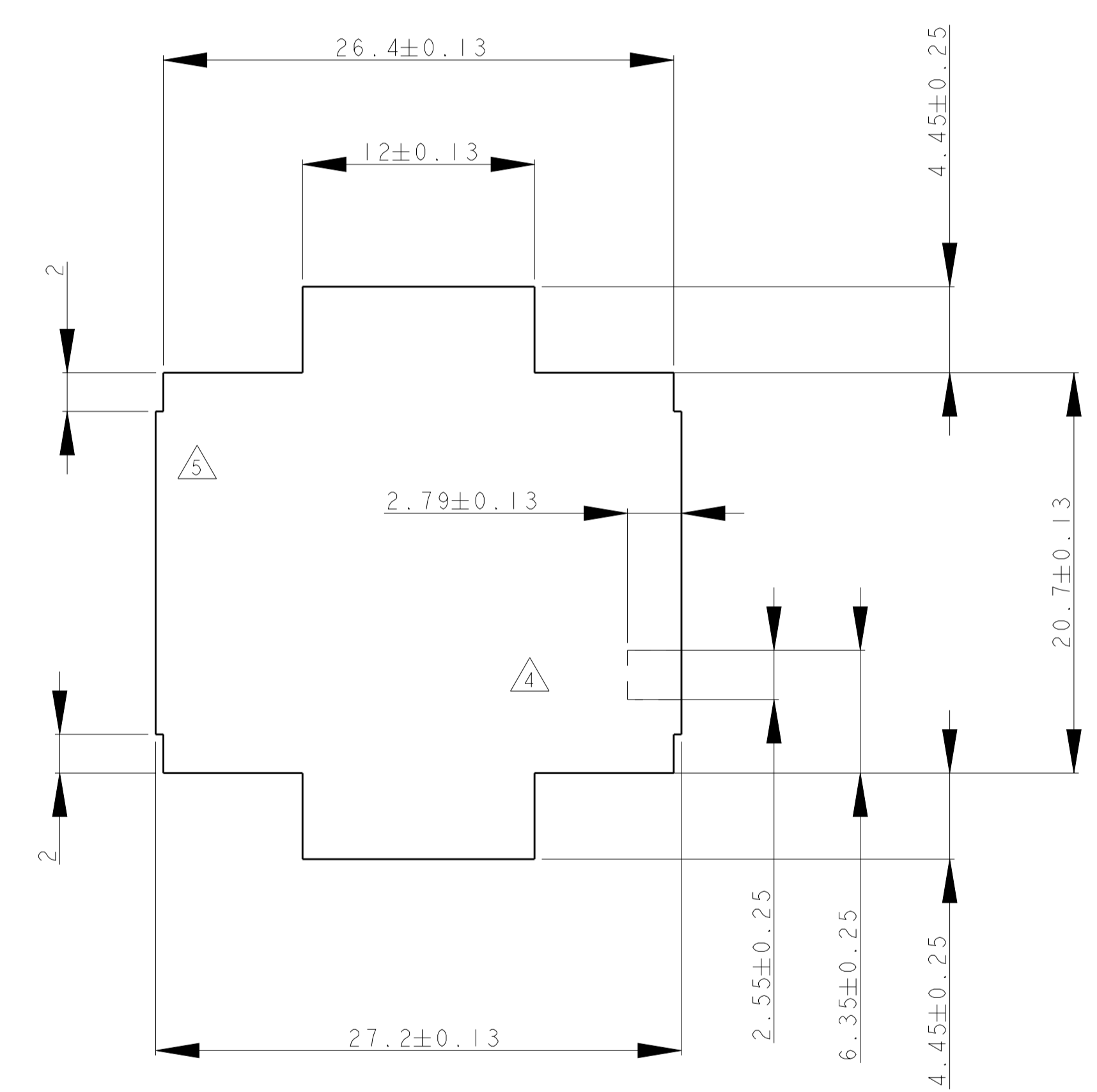
DATE: 11DEC2012
 CHK: MGT
 R.P.
 APVD: R.P.
 NAME: UMNL 9 WAY CAP HSG
 SIZE: A1 CAGE CODE: 927231

TE Connectivity

THIS DRAWING IS UNPUBLISHED. RELEASED FOR PUBLICATION
 © COPYRIGHT copyright.d8te. ALL RIGHTS RESERVED.

REVISIONS				
P.	LTN	DESCRIPTION	DATE	APVD
-	-	SEE SHEET 1	-	-

PANEL CUTOUT ONLY USE FOR LASER CUT \triangle



THIS DRAWING IS A CONTROLLED DOCUMENT.		DWN	WGT	11DEC2012	 TE Connectivity
DIMENSIONS:		CHK	R.P	11DEC2012	
mm		APVD	R.P	11DEC2012	
		TOLERANCES UNLESS OTHERWISE SPECIFIED:		NAME	UMNL 9 WAY CAP HSG
0 PLC ± 0.2		PRODUCT SPEC		SIZE	A1
1 PLC ± 0.2		APPLICATION SPEC		CAGE CODE	927231
2 PLC ± 0.2		FINISH		WEIGHT	-
3 PLC ± 0.2		CUSTOMER DRAWING		SCALE	5:1
4 PLC ± 0.2		RESTRICTED TO		SHEET	2
ANGLES $\pm 1^\circ$		REV		OF	2
MATERIAL		REV		REV	F8

X-ON Electronics

Largest Supplier of Electrical and Electronic Components

Click to view similar products for [Pin & Socket Connectors](#) category:

Click to view products by [TE Connectivity](#) manufacturer:

Other Similar products are found below :

[6450822-1](#) [770392-1](#) [794042-1](#) [796885-1](#) [8-794535-1](#) [881459-2](#) [R929993003](#) [1-350779-3](#) [1403611-1](#) [1-480349-5](#) [1586092-1](#) [1586129-1](#)
[1586487-1](#) [1586681-4](#) [1586700-1](#) [1586065-1](#) [1586077-1](#) [1586368-1](#) [1586380-1](#) [1586680-5](#) [1586681-2](#) [1604996-1](#) [16-06-0038](#) [164164-5](#) [1-](#)
[6609930-1](#) [172296-1](#) [1-794714-6](#) [19-09-2035](#) [1969804-1](#) [200503-1](#) [200788-2](#) [201046-7](#) [202648-4](#) [2029076-2](#) [2029090-4](#) [2029095-4](#) [2-](#)
[66102-6](#) [925061-7](#) [926681-1](#) [293734-4](#) [293737-2](#) [1-765362-4](#) [1-794606-3](#) [1871534-1](#) [1969795-1](#) [1969798-1](#) [1969800-1](#) [200833-4](#)
[2008625-2](#) [2029027-2](#)