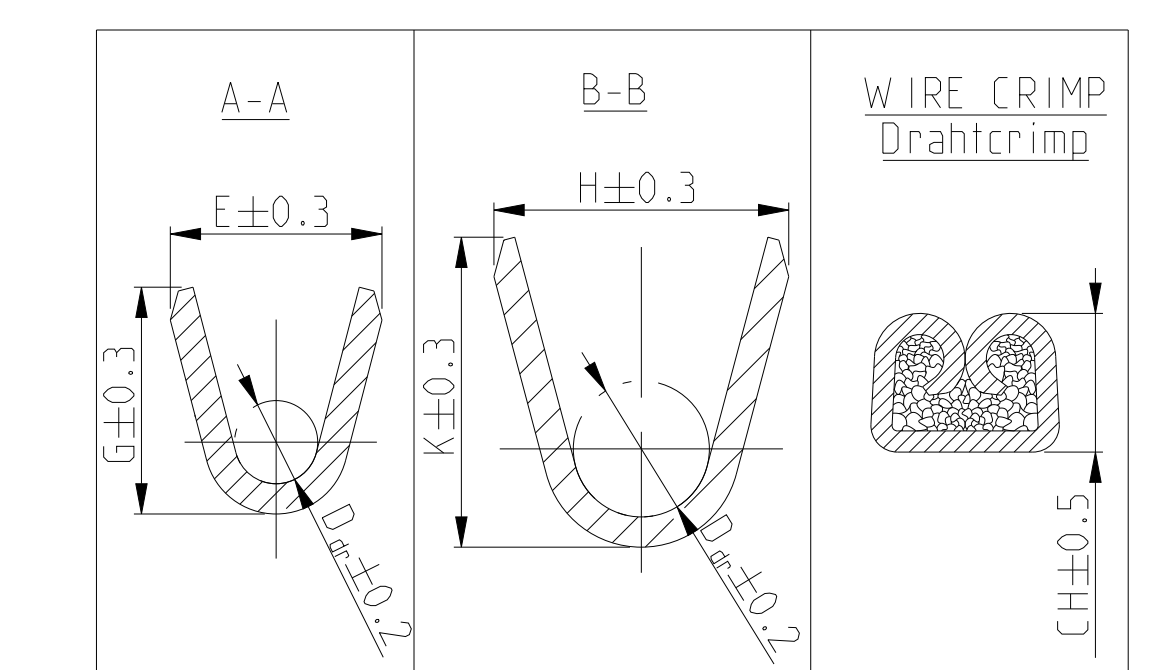
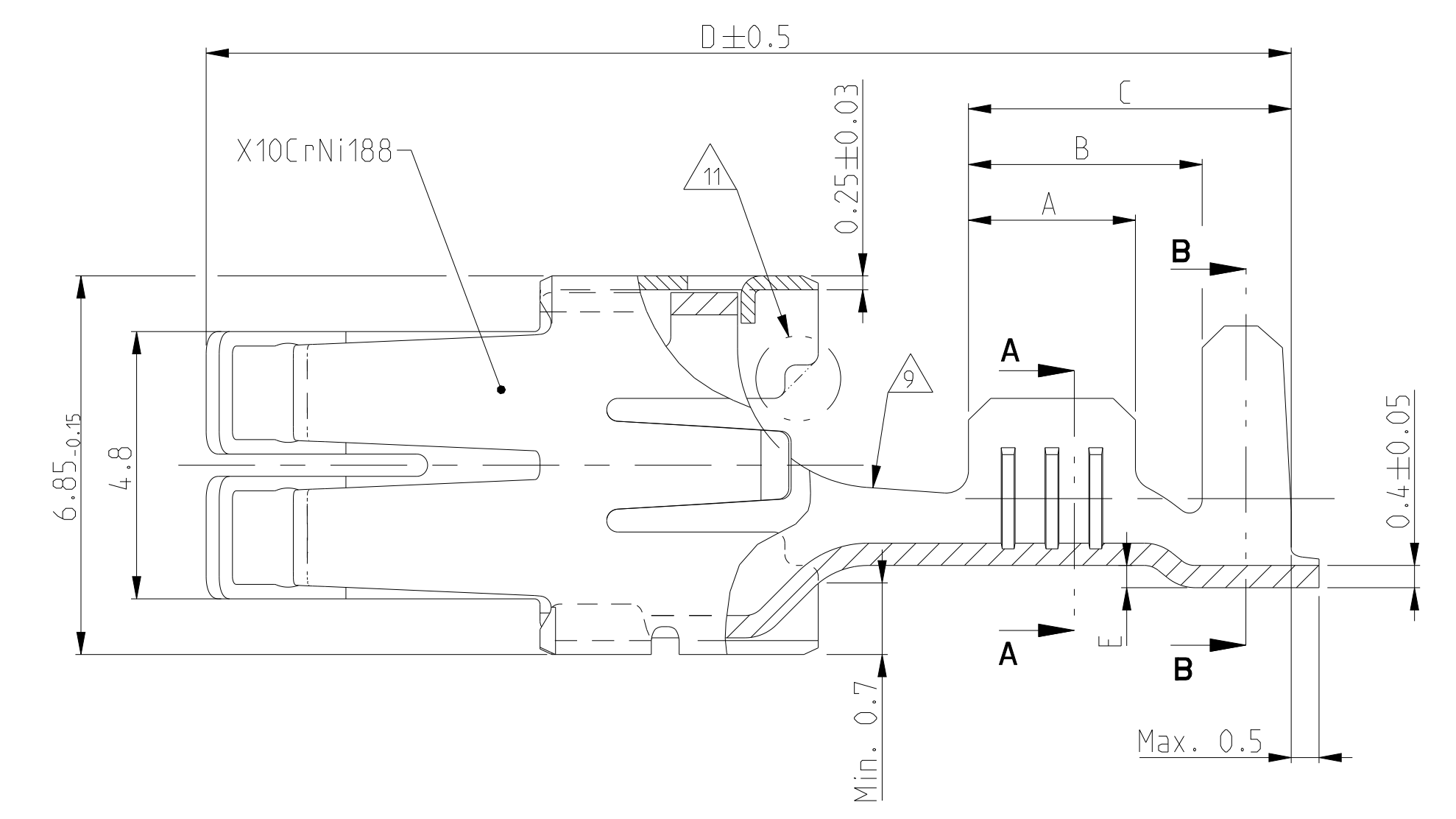


REV	DATE	DESCRIPTION	BY	APPD
B10	26FEB2021	ADDED NEW PN 1862029-5 DETAILS IN BOM	JJM	JCB
B11	19MAY2021	REFER PCN: E-21-005125	JJM	JCB
B12	27MAY2021	CORRECTION INSUL-HEIGHT FOR PN 1862029-5	JJM	JCB
B13	08SEP2021	REVISION MISMATCH RESOLVED	KMD	JCB

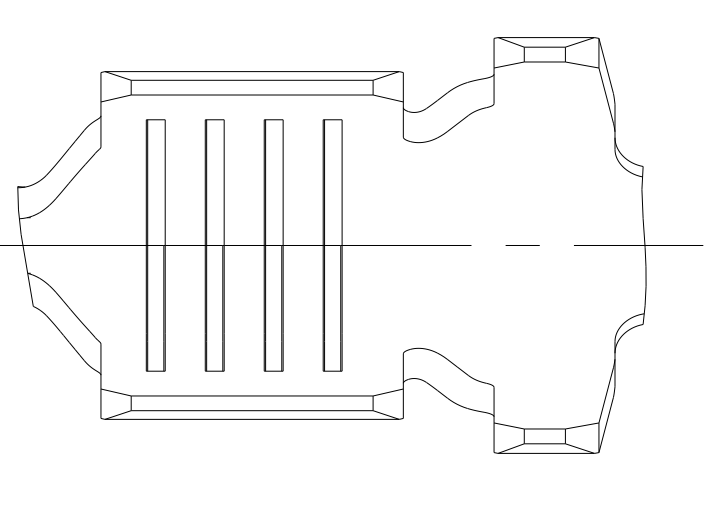
## VERSION A (UNSEALED / ungedichtet)



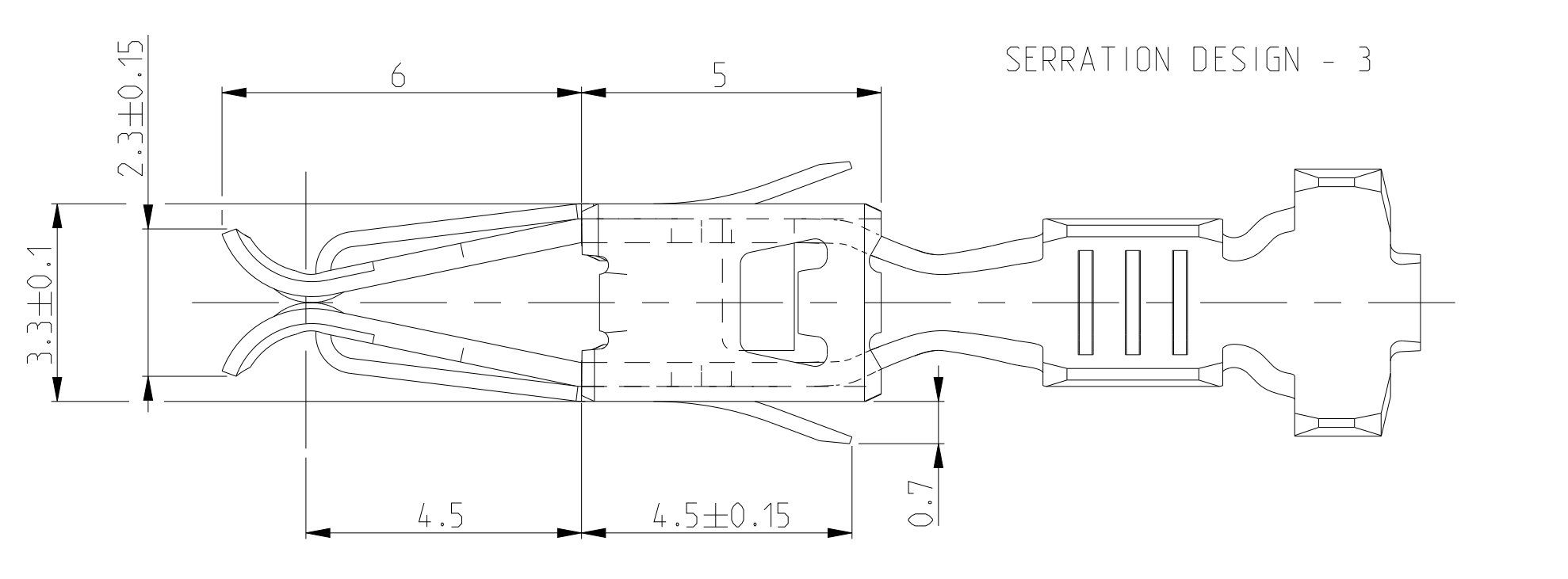
REV	STRIP FORM BANDWARE	REV	STRIP FORM BANDWARE	REV	STRIP FORM BANDWARE	REV	STRIP FORM BANDWARE	MATERIAL	SURFACE	CRIMP DIMENSIONS (mm)	EXTRACTION TOOL	HAND TOOL	TE CONNECTIVITY ORDER - No.					
-	-	-	-	-	-	-	-	1862029-5	A	CuFe2	PRESILVERED vorversilbert	MQC- Applicator	-	2.5	3.8	6.6	19.5	0.3
-	-	-	-	-	-	-	-	-	-	-	2837770-2	-	-	-	-	-	-	-
-	-	-	-	-	-	-	-	-	-	-	MQC- Applicator	539635-1 WITH DIE: mit Matrize 539744-2	-	2.5	3.8	6.6	19.5	0.3
-	-	-	-	-	-	-	-	-	-	-	878426-2	-	-	-	-	-	-	-
-	-	-	-	-	-	-	-	-	-	-	MQC- Applicator	539733-2 WITH DIE: mit Matrize 736249-0	-	3	4.2	5.8	19.5	0.4
-	-	-	-	-	-	-	-	-	-	-	2-541689-2	-	-	-	-	-	-	-
-	-	-	-	-	-	-	-	-	-	-	MQC- Applicator	539635-1 WITH DIE: mit Matrize 539733-2	-	3.5	4.7	6.3	19.5	0.4
-	-	-	-	-	-	-	-	-	-	-	878367-2	-	-	-	-	-	-	-
-	-	-	-	-	-	-	-	-	-	-	MQC- Applicator	539635-1 WITH DIE: mit Matrize 539734-2	-	4	5.2	6.8	19.5	0.6
-	-	-	-	-	-	-	-	-	-	-	2-878314-2	-	-	-	-	-	-	-
-	-	-	-	-	-	-	-	-	-	-	MQC- Applicator	-	-	4.2	5.6	7.7	20	0.6
-	-	-	-	-	-	-	-	-	-	-	2-878738-2	-	-	-	-	-	-	-
-	-	-	-	-	-	-	-	-	-	-	MQC- Applicator	-	-	2.5	3.8	6.6	19.5	0.3
-	-	-	-	-	-	-	-	-	-	-	878427-2	-	-	-	-	-	-	-
-	-	-	-	-	-	-	-	-	-	-	MQC- Applicator	169400-0 WITH DIE: mit Matrize	-	3	4.2	5.8	19.5	0.4
-	-	-	-	-	-	-	-	-	-	-	878328-2	-	-	-	-	-	-	-
-	-	-	-	-	-	-	-	-	-	-	MQC- Applicator	169400-0 WITH DIE: mit Matrize	-	3.5	4.7	6.3	19.5	0.4
-	-	-	-	-	-	-	-	-	-	-	878356-2	-	-	-	-	-	-	-
-	-	-	-	-	-	-	-	-	-	-	MQC- Applicator	169400-0 WITH DIE: mit Matrize	-	4	5.2	6.8	19.5	0.6
-	-	-	-	-	-	-	-	-	-	-	2-878384-2	-	-	-	-	-	-	-



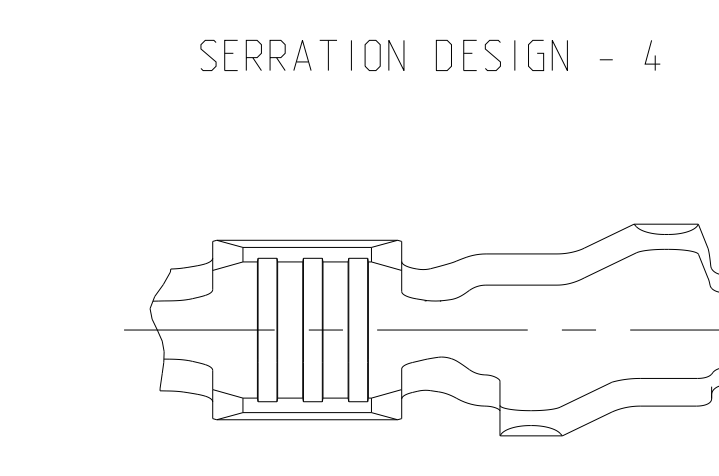
SERRATION DESIGN - 1



SERRATION DESIGN - 2



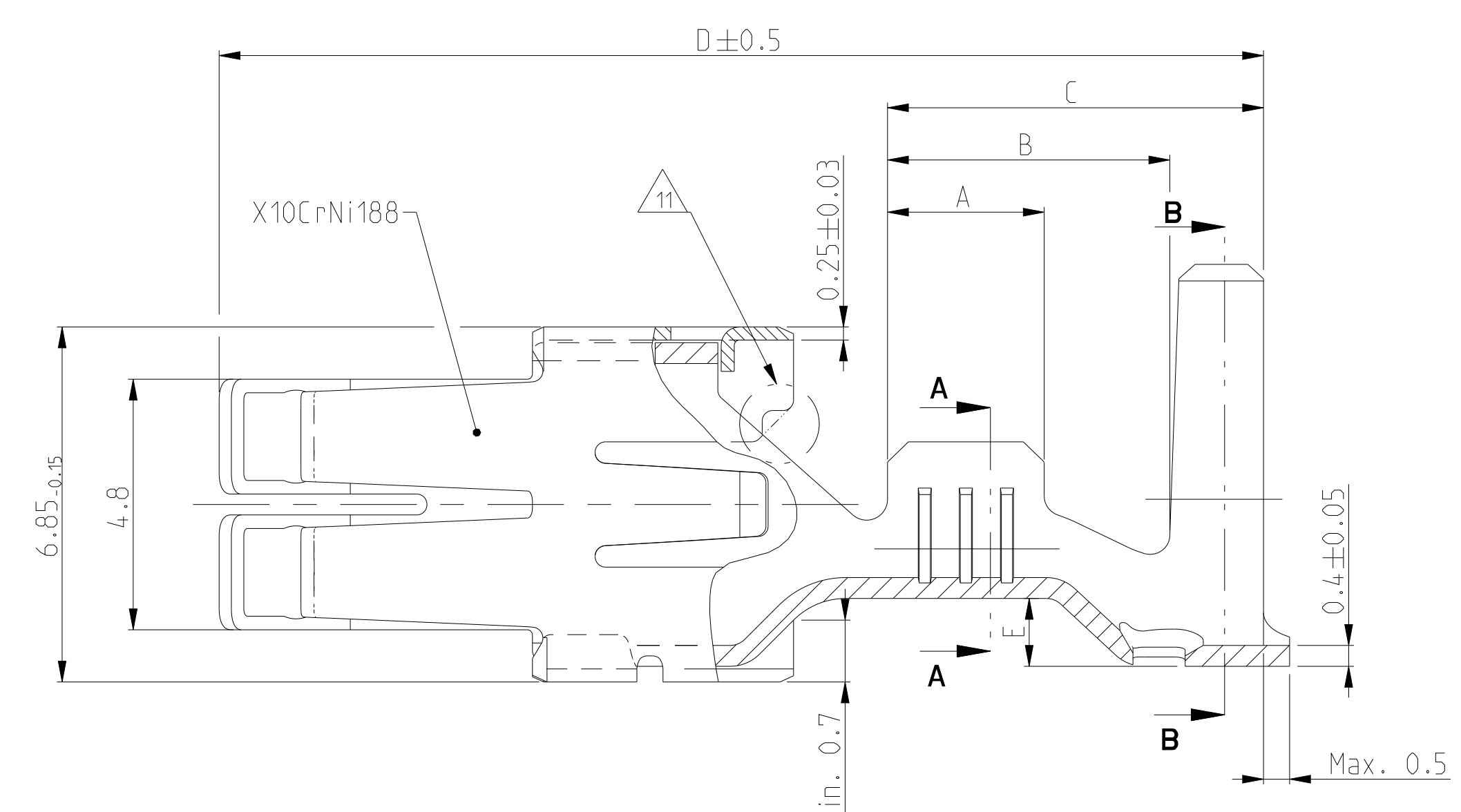
SERRATION DESIGN - 3



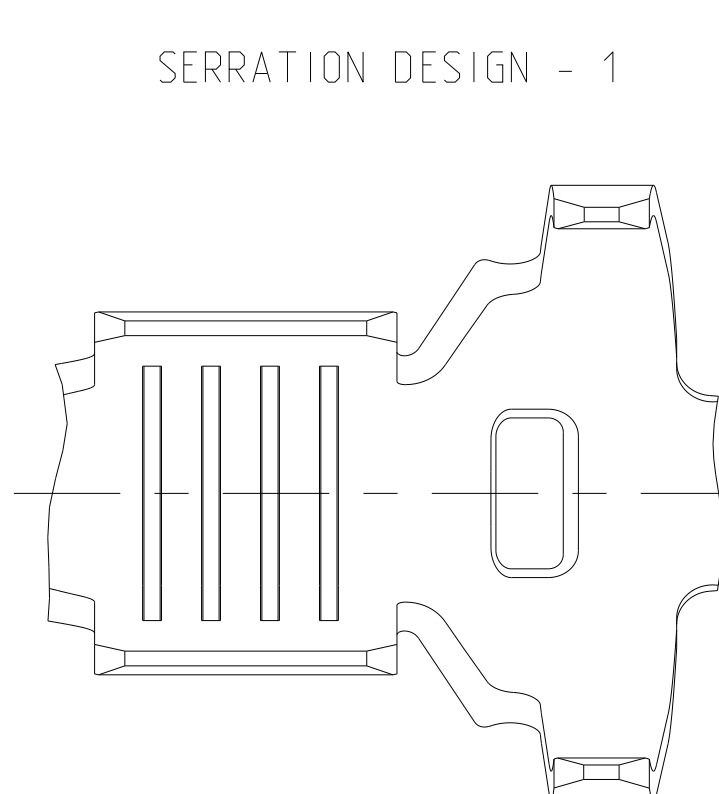
SERRATION DESIGN - 4

## VERSION B (SINGLE WIRE SEAL / Einzel-Dichtungs-System)

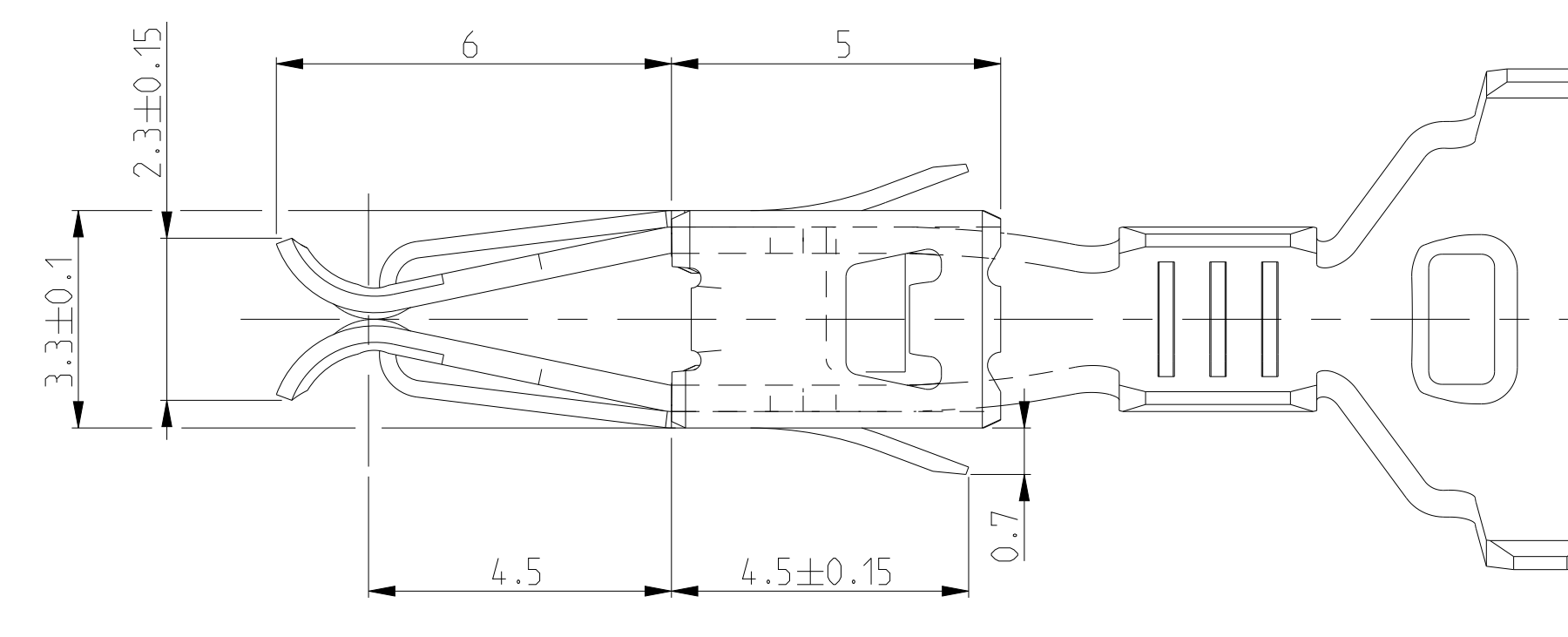
REV	STRIP FORM BANDWARE	REV	STRIP FORM BANDWARE	REV	STRIP FORM BANDWARE	REV	STRIP FORM BANDWARE	MATERIAL	SURFACE	CRIMP DIMENSIONS (mm)	EXTRACTION TOOL	HAND TOOL	TE CONNECTIVITY ORDER - No.					
-	-	-	-	-	-	-	-	2-927836-2	C	CuSn4	vorverzinkt PRETINNED	MQC- Applicator	539635-1 WITH DIE: mit Matrize 739736-2	3	5.4	7.2	20	1.25
-	-	-	-	-	-	-	-	927836-2	C	CuSn4	vorverzinkt PRETINNED	MQC- Applicator	539635-1 WITH DIE: mit Matrize	3.5	5.9	7.7	20	1.25
-	-	-	-	-	-	-	-	927836-1	C	CuFe2	vorverzinkt PRETINNED	MQC- Applicator	539635-1 WITH DIE: mit Matrize	3.5	5.9	7.7	20	1.25
-	-	-	-	-	-	-	-	2-927835-2	C	CuSn4	vorverzinkt PRETINNED	MQC- Applicator	539635-1 WITH DIE: mit Matrize	4	5.9	7.7	20	1.25
-	-	-	-	-	-	-	-	2-927835-1	C	CuSn4	vorverzinkt PRETINNED	MQC- Applicator	539635-1 WITH DIE: mit Matrize	4	5.9	7.7	20	1.25
-	-	-	-	-	-	-	-	1-927835-3	C	CuFe2	vorverzinkt PRETINNED	MQC- Applicator	539635-1 WITH DIE: mit Matrize	4	5.9	7.7	20	1.25
-	-	-	-	-	-	-	-	927835-2	C	CuSn4	vorverzinkt PRETINNED	MQC- Applicator	539635-1 WITH DIE: mit Matrize	4	5.9	7.7	20	1.25
-	-	-	-	-	-	-	-	927835-1	C	CuFe2	vorverzinkt PRETINNED	MQC- Applicator	539635-1 WITH DIE: mit Matrize	4	5.9	7.7	20	1.25
-	-	-	-	-	-	-	-	2-928966-2	D	CuSn4	vorverzinkt PRETINNED	MQC- Applicator	539635-1 WITH DIE: mit Matrize	4	5.9	7.7	20	1.25
-	-	-	-	-	-	-	-	2-928966-1	D	CuSn4	vorverzinkt PRETINNED	MQC- Applicator	539635-1 WITH DIE: mit Matrize	4	5.9	7.7	20	1.25
-	-	-	-	-	-	-	-	1-928966-3	D	CuFe2	vorverzinkt PRETINNED	MQC- Applicator	539635-1 WITH DIE: mit Matrize	4	5.9	7.7	20	1.25
-	-	-	-	-	-	-	-	928966-2	D	CuSn4	vorverzinkt PRETINNED	MQC- Applicator	539635-1 WITH DIE: mit Matrize	4	5.9	7.7	20	1.25
-	-	-	-	-	-	-	-	928966-1	D	CuFe2	vorverzinkt PRETINNED	MQC- Applicator	539635-1 WITH DIE: mit Matrize	4	5.9	7.7	20	1.25
-	-	-	-	-	-	-	-	1241962-1	B	CuFe2	vorverzinkt PRETINNED	MQC- Applicator	539635-1 WITH DIE: mit Matrize	4	5.9	7.7	20	1.25



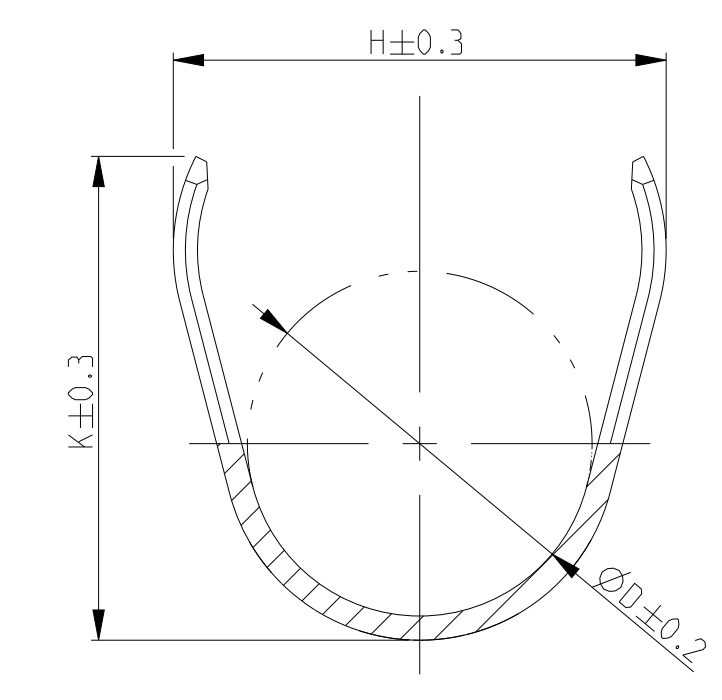
SERRATION DESIGN - 3



SERRATION DESIGN - 1



- CONTACT ZONE SELECTIVE PRE SILVER PLATED MIN 3-4.5µm Kontaktzone selektiv vorversilbert min. 3-4.5µm
- CONTACT ZONE SELECTIVE PRE SILVER PLATED MIN 1-1.5µm Kontaktzone selektiv vorversilbert min. 1-1.5µm
- CONTACT BODY: ELECTRO TIN PLATED OVER NICKEL CONTACT AREA: GOLD PLATED Kontaktkoerper: gal. verzinkt ueber Nickel Kontaktzone: vergoldet
- CONTACT BODY: ELECTRO TIN PLATED OVER NICKEL CONTACT AREA: SELECTIVE NICKEL PLATED 2-4µm Kontaktkoerper: gal. verzinkt ueber Nickel Kontaktzone: selektiv vernickelt 2-4µm
- CONTACT BODY: ELECTRO TIN PLATED OVER NICKEL TOUCHING AREA TO CANTILEVER SPRING: SELECTIVE AU PLATED OVER NICKEL CANTILEVER SPRING: COMPLETELY AU PLATED Kontaktkoerper: gal. verzinkt ueber Nickel Anlageflaeche zur Ueberfeder selektiv Au ueber Ni beschichtet Ueberfeder: komplett Au beschichtet
- PRE-FORM ISO-AREA ONLY FOR PN: 1241962-1 Isoflanken vorgeformt nur bei PN:1241962-1
- CONTACT BODY: ELECTRO TIN PLATED OVER NICKEL TOUCHING AREA TO CANTILEVER SPRING AND CONTACT AREA SELECTIVE AU PLATED OVER NICKEL CANTILEVER SPRING: COMPLETELY AU PLATED Kontaktkoerper: gal. verzinkt ueber Nickel Anlageflaeche zur Ueberfeder selektiv Au ueber Ni beschichtet Ueberfeder: komplett Au beschichtet
- WRAP CRIMP ONLY FOR PN: 927839,927840,928989 AND 928990 Umfassungscrimp nur bei PN: 927839,927840,928989 und 928990
- TRANSITION ONLY FOR PN 927827,927828,927829,927830,927833,927834,927837 AND 927838 Uebergang nur fuer PN 927827,927828,927829,927830,927833,927834,927837 und 927838
- 1-3µm Sn28M LAYER FOR HIGHER TEMPERATURE REQUIREMENTS 1-3µm Sn28M Schicht fuer hoehere Temperaturanforderungen
- DOTTED LINE IS ALTERNATIVE SHAPE Gestrichelte Linie alternative Form
- OBsolete
- SEE APPLICATION SPEC. FOR PREFERRED STANDARD TO MEET NEW REQUIREMENT LV214-2 SLOW MOTION BENDING TEST Siehe Verarbeitungs Spezifikation fuer bevorzugten Standard um den neuen Anforderungen der LV214-2 Slow Motion Pruefung zu genuegen



B-B

THIS DRAWING IS A CONTROLLED DOCUMENT. DIMENSIONING AND TOLERANCING PER ISO STANDARDS. DATE: 20210111. DRAWN: M. BEILSCHLAGER. CHECKED: M. HUHN. DESIGNED: M. BEILSCHLAGER. APPROVED: M. HUHN. PRODUCT SPEC: 108-18025. APPLICATION SPEC: 114-18037. WEIGHT: -.

TE Connectivity  
STANDARD POWER TIMER CONTACT  
Standard Power Timer Kontakt

EXTRACTION TOOL: T-1579007-6 968107-1. MATERIAL: -. SCALE: 10:1. SHEET: 1 OF 1. REV: B13.

## X-ON Electronics

Largest Supplier of Electrical and Electronic Components

*Click to view similar products for [Automotive Connectors](#) category:*

*Click to view products by [TE Connectivity](#) manufacturer:*

Other Similar products are found below :

[003-018-000](#) [60403001](#) [60993906-B](#) [M902-2131](#) [M902-2161](#) [M902-2344](#) [72.330.1035.1](#) [73.353.4028.0](#) [F119300-B](#) [F166900](#) [F258300-B](#)  
[F358300-B](#) [F407400](#) [F444110](#) [F487000](#) [F509500B-B](#) [827153-1](#) [8N1515-32-24P](#) [9-1326729-8](#) [925474-1](#) [928905-1](#) [964562-4](#) [968782-1](#)  
[GT17SA-8DS-HU](#) [98891-1012](#) [98947-1016](#) [12004147](#) [12004475-L](#) [12010290](#) [12015454](#) [12020219-B](#) [12041318-B](#) [12052225-L](#) [12052466](#)  
[12064869](#) [12004327-B](#) [12015308](#) [12015384](#) [12015909](#) [1-21030-1](#) [12041254](#) [12041318](#) [12047946-B](#) [12047957](#) [12047957-L](#) [12059473](#)  
[12066261](#) [12110546](#) [12110546-B](#) [12131792](#)