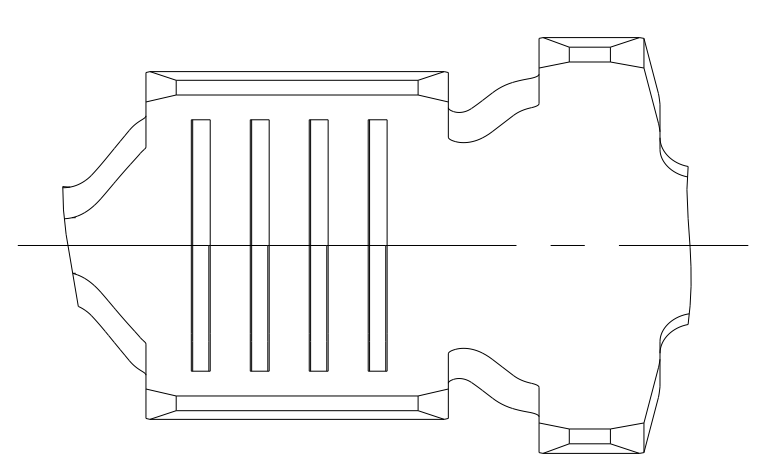


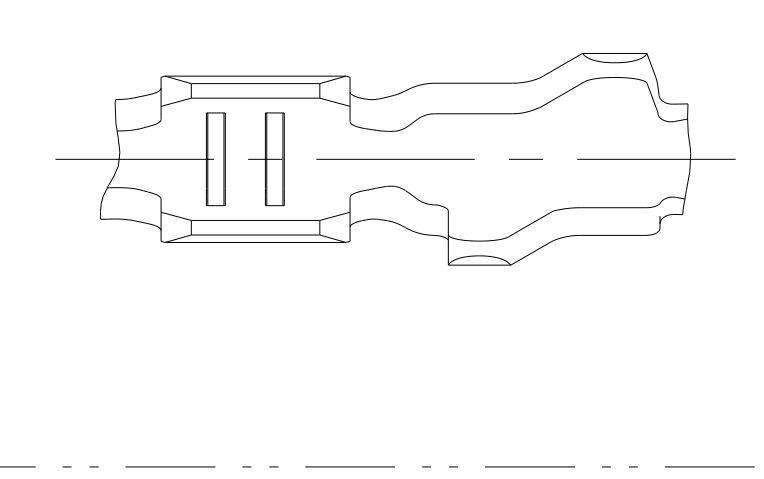
REV	DATE	DESCRIPTION	BY	CHK	APPV
B10	20FEB2021	ADDED NEW PN 1862029-5 DETAILS IN BOM	JJM	JCB	
B11	19MAY2021	REFER PCN: E-21-005125	JJM	JCB	
B12	27MAY2021	CORRECTION INSUL-HEIGHT FOR PN 1862029-5	JJM	JCB	
B13	08SEP2021	REVISION MISMATCH RESOLVED	KMD	JCB	

VERSION A (UNSEALED / ungedichtet)

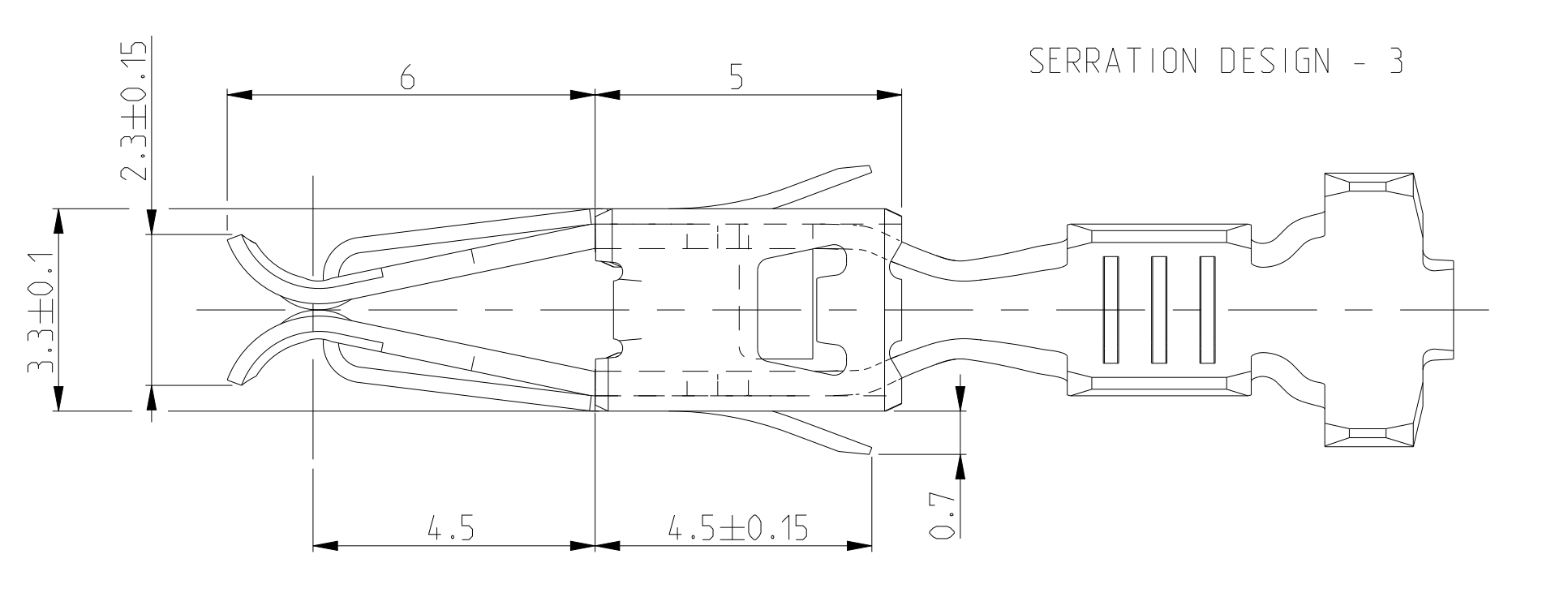
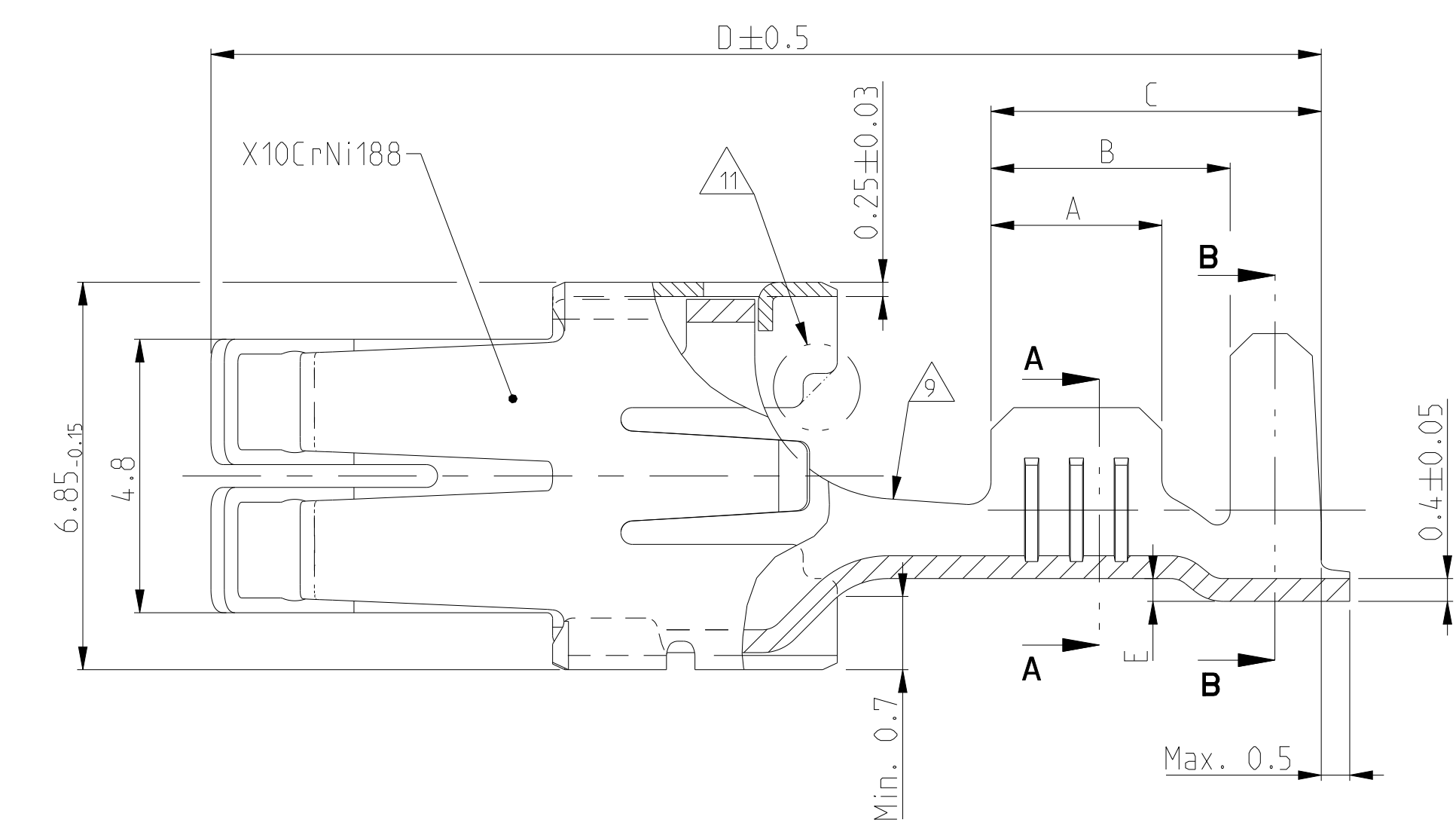
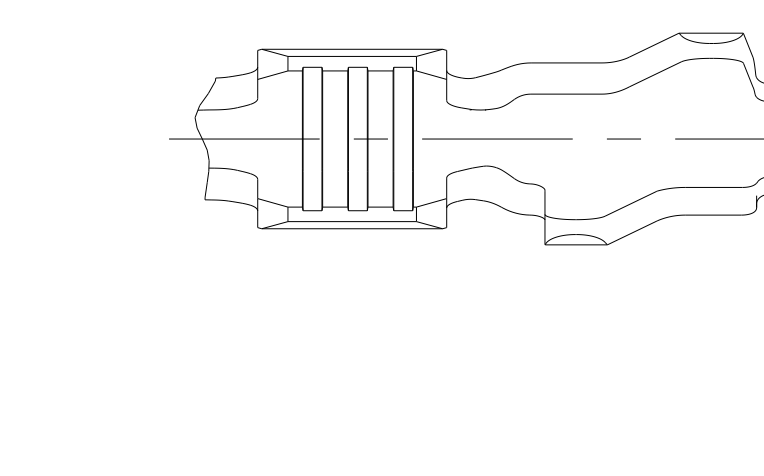
SERRATION DESIGN - 1



SERRATION DESIGN - 2

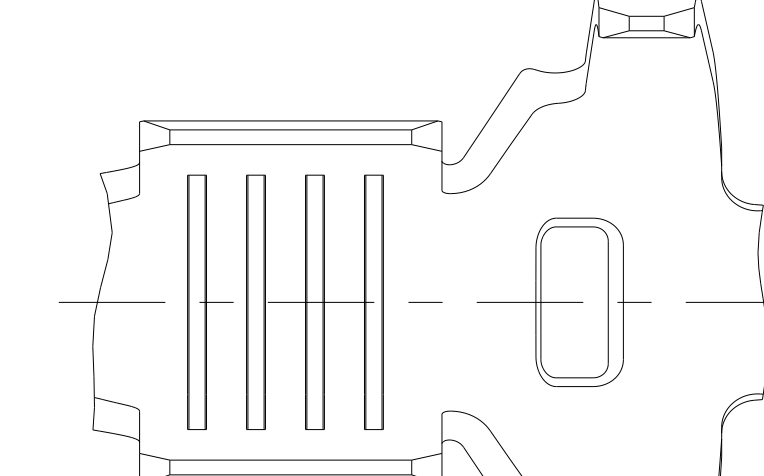


SERRATION DESIGN - 4

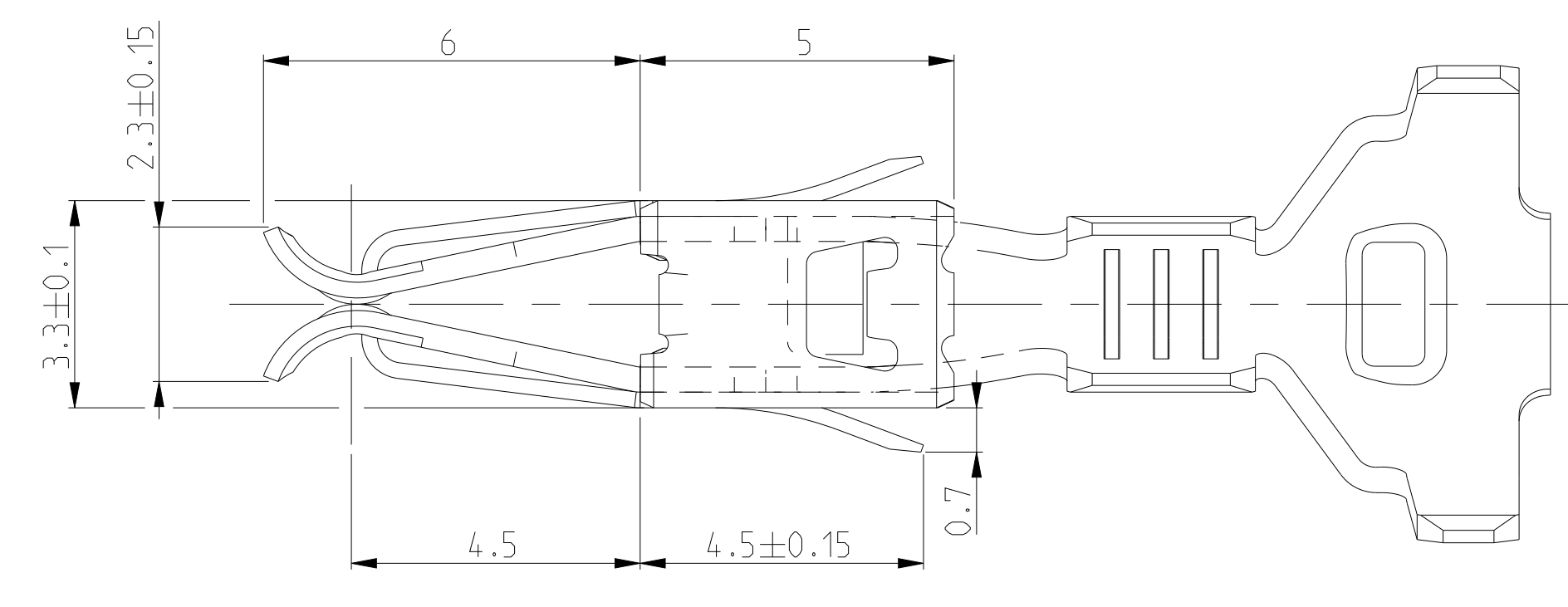


VERSION B (SINGLE WIRE SEAL / Einzel-Dichtungs-System)

SERRATION DESIGN - 1



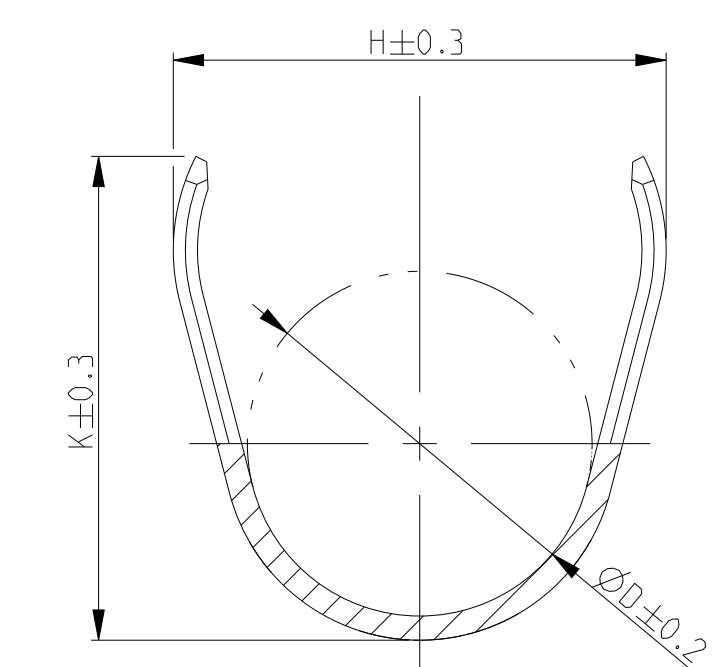
SERRATION DESIGN - 3



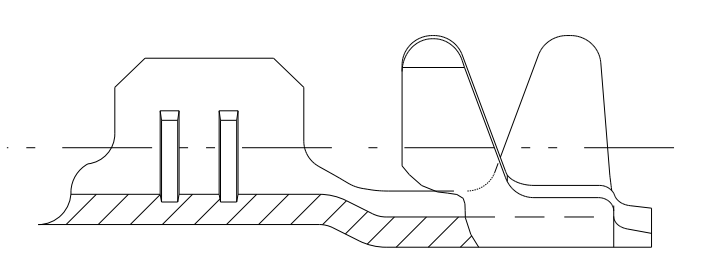
REV	DATE	DESCRIPTION	BY	CHK	APPV	TE CONNECTIVITY ORDER - NO.	TE CONNECTIVITY ORDER - NO.	TE CONNECTIVITY ORDER - NO.	TE CONNECTIVITY ORDER - NO.	TE CONNECTIVITY ORDER - NO.	TE CONNECTIVITY ORDER - NO.	MATERIAL	SURFACE	CRIMP DIMENSIONS (mm)	EXTRACTION TOOL	HAND TOOL	TE CONNECTIVITY ORDER - No.							
-	-	-	-	-	-	-	-	-	-	-	-	-	-	0.35 - 0.5 FLR	E = 2.37 G = 2.45 D _{cr} = 0.8	H = 2.8 K = 3.1 D _{cr} = 1.4	0.5mm ² = 1.14 0.35mm ² = 1.09 0.5mm ² = 1.14 0.35mm ² = 1.09	MQC - Applicator 2837770-2	-	2.5	3.8	6.6	19.5	0.3
-	-	-	-	-	-	-	-	-	-	-	-	-	-	0.35 - 0.5 FLU	E = 2.2 G = 2.2 D _{cr} = 0.8	H = 3.7 K = 3.8 D _{cr} = 2.0	0.20mm ² = 1.13 0.25mm ² = 1.15 0.35mm ² = 1.19 0.50mm ² = 1.26	MQC - Applicator 878426-2	539635-1 WITH DIE: mit Matrize 539744-2	2.5	3.8	6.6	19.5	0.3
-	-	-	-	-	-	-	-	-	-	-	-	-	-	0.2 - 0.5 FLK	E = 2.8 G = 3.0 D _{cr} = 1.1	H = 4.5 K = 4.7 D _{cr} = 2.4	0.5mm ² = 1.38 0.75mm ² = 1.47 1.0mm ² = 1.56	MQC - Applicator 2-541689-2	539733-2 WITH DIE: mit Matrize 734249-0	3	4.2	5.8	19.5	0.4
-	-	-	-	-	-	-	-	-	-	-	-	-	-	>1.0 - 2.5 FLK	E = 3.8 G = 4.1 D _{cr} = 1.6	H = 5.7 K = 5.8 D _{cr} = 3.6	1.5mm ² = 1.76 2.0mm ² = 1.90 2.5mm ² = 2.04	MQC - Applicator 878367-2	539635-1 WITH DIE: mit Matrize 539733-2	3.5	4.7	6.3	19.5	0.4
927824-2	C	-	-	-	-	-	-	-	-	-	-	-	-	>2.5 - 4.0 FLK	E = 4.6 G = 4.8 D _{cr} = 2.4	H = 6.3 K = 6.6 D _{cr} = 4.0	3.0mm ² = 2.13 3.5mm ² = 2.24 4.0mm ² = 2.35	MQC - Applicator 2-878314-2	539635-1 WITH DIE: mit Matrize 539734-2	4	5.2	6.8	19.5	0.6
927824-1	C	-	-	-	-	-	-	-	-	-	-	-	-	4.0 - 6.0 FLK	E = 5.2 G = 5.5 D _{cr} = 2.9	H = 7.3 K = 7.6 D _{cr} = 4.5	4.0mm ² = 2.17 5.0mm ² = 2.36 6.0mm ² = 2.55	MQC - Applicator 2-878738-2	-	4.2	5.6	7.7	20	0.6
1241818-5	B	-	-	-	-	-	-	-	-	-	-	-	-	0.2 - 0.5 FLR	E = 2.2 G = 2.2 D _{cr} = 0.8	H = 2.8 K = 2.8 D _{cr} = 1.4	0.2mm ² = 1.13 0.35mm ² = 1.19 0.5mm ² = 1.26	MQC - Applicator 878427-2	-	2.5	3.8	6.6	19.5	0.3
927829-5	D	-	-	-	-	-	-	-	-	-	-	-	-	0.5 - 1.0 FLR	E = 2.8 G = 3.0 D _{cr} = 1.1	H = 3.9 K = 4.1 D _{cr} = 1.8	0.5mm ² = 1.43 0.75mm ² = 1.52 1.0mm ² = 1.61	MQC - Applicator 878328-2	169400-0 WITH DIE: mit Matrize 734781-1	3	4.2	5.8	19.5	0.4
927829-2	D	-	-	-	-	-	-	-	-	-	-	-	-	>1.0 - 2.5 FLR	E = 3.8 G = 4.1 D _{cr} = 1.6	H = 4.8 K = 4.9 D _{cr} = 2.6	1.25mm ² = 1.69 1.5mm ² = 1.76 2.0mm ² = 1.90 2.5mm ² = 2.04	MQC - Applicator 878356-2	169400-0 WITH DIE: mit Matrize 734251-0	3.5	4.7	6.3	19.5	0.4
927829-1	D	-	-	-	-	-	-	-	-	-	-	-	-	>2.5 - 4.0 FLR	E = 4.6 G = 4.8 D _{cr} = 2.4	H = 5.5 K = 5.7 D _{cr} = 3.3	3.0mm ² = 2.13 3.5mm ² = 2.24 4.0mm ² = 2.35	MQC - Applicator 2-878384-2	169400-0 WITH DIE: mit Matrize 734251-0	4	5.2	6.8	19.5	0.6

REV	DATE	DESCRIPTION	BY	CHK	APPV	TE CONNECTIVITY ORDER - NO.	TE CONNECTIVITY ORDER - NO.	TE CONNECTIVITY ORDER - NO.	TE CONNECTIVITY ORDER - NO.	TE CONNECTIVITY ORDER - NO.	TE CONNECTIVITY ORDER - NO.	MATERIAL	SURFACE	CRIMP DIMENSIONS (mm)	EXTRACTION TOOL	HAND TOOL	TE CONNECTIVITY ORDER - No.							
-	-	-	-	-	-	-	-	-	-	-	-	-	-	0.5 - 1.0 FLR	E = 2.8 G = 3.0 D _{cr} = 1.1	H = 7.6 K = 7.7 D _{cr} = 5.6	0.5mm ² = 1.43 0.75mm ² = 1.52 1.0mm ² = 1.61	MQC - Applicator 878337-2	539635-1 WITH DIE: mit Matrize 739736-2	3	5.4	7.2	20	1.25
-	-	-	-	-	-	-	-	-	-	-	-	-	-	>1.0 - 2.5 FLR	E = 3.8 G = 4.1 D _{cr} = 1.6	H = 7.6 K = 7.7 D _{cr} = 5.6	1.5mm ² = 1.76 2.0mm ² = 1.90 2.5mm ² = 2.04	MQC - Applicator 878338-2	539635-1 WITH DIE: mit Matrize 539736-2	3.5	5.9	7.7	20	1.25
2-928966-2	D	-	-	-	-	-	-	-	-	-	-	-	-	>2.5 - 4.0 FLR	E = 4.6 G = 4.8 D _{cr} = 2.4	H = 7.6 K = 7.7 D _{cr} = 5.6	3.0mm ² = 2.13 4.0mm ² = 2.35	MQC - Applicator 878441-2	539635-1 WITH DIE: mit Matrize 539736-2	4	5.9	7.7	20	1.25
1241962-1	B	-	-	-	-	-	-	-	-	-	-	-	-	>3.0 - 5.0 FLR	E = 4.8 G = 5.2 D _{cr} = 2.5	H = 8.15 K = 7.8 D _{cr} = 6.0	3.0mm ² = 2.25 4.0mm ² = 2.50 5.0mm ² = 2.75	MQC - Applicator -	WITH DIE: mit Matrize -	4	5.9	7.7	20	1.25

- CONTACT ZONE SELECTIVE PRE SILVER PLATED MIN 3-4.5µm Kontaktzone selektiv vorversilbert min. 3-4.5µm
- CONTACT ZONE SELECTIVE PRE SILVER PLATED MIN 1-1.5µm Kontaktzone selektiv vorversilbert min. 1-1.5µm
- CONTACT BODY: ELECTRO TIN PLATED OVER NICKEL CONTACT AREA: GOLD PLATED Kontaktkoerper: gal. verzinkt ueber Nickel Kontaktzone: vergoldet
- CONTACT BODY: ELECTRO TIN PLATED OVER NICKEL CONTACT AREA: SELECTIVE NICKEL PLATED 2-4µm Kontaktkoerper: gal. verzinkt ueber Nickel Kontaktzone: selektiv vernickelt 2-4µm
- CONTACT BODY: ELECTRO TIN PLATED OVER NICKEL TOUCHING AREA TO CANTILEVER SPRING: SELECTIVE AU PLATED OVER NICKEL CANTILEVER SPRING: COMPLETELY AU PLATED Kontaktkoerper: gal. verzinkt ueber Nickel Anlageflaeche zur Ueberfeder selektiv Au ueber Ni beschichtet Ueberfeder: komplett Au beschichtet



- WRAP CRIMP ONLY FOR PN: 927839, 927840, 928989 AND 928990 Umfassungscrimp nur bei PN: 927839, 927840, 928989 und 928990
- TRANSITION ONLY FOR PN 927827, 927828, 927829, 927830, 927833, 927834, 927837 AND 927838 Uebergang nur fuer PN 927827, 927828, 927829, 927830, 927833, 927834, 927837 und 927838
- 1-3µm Sn28M LAYER FOR HIGHER TEMPERATURE REQUIREMENTS 1-3µm Sn28M Schicht fuer hoehere Temperaturanforderungen
- DOTTED LINE IS ALTERNATIVE SHAPE Gestrichelte Linie alternative Form
- OBSELETE
- SEE APPLICATION SPEC. FOR PREFERRED STANDARD TO MEET NEW REQUIREMENT LV214-2 SLOW MOTION BENDING TEST Siehe Verarbeitungs Spezifikation fuer bevorzugten Standard um den neuen Anforderungen der LV214-2 Slow Motion Pruefung zu genuegen



THIS DRAWING IS A CONTROLLED DOCUMENT. DIMENSIONING AND TOLERANCING PER ISO STANDARDS.

DATE: 20210107

REV: 1

SCALE: 1:1

DRAWING NO: 1579007-6

CUSTOMER DRAWING

STANDARD POWER TIMER CONTACT Standard Power Timer Kontakt

TE CONNECTIVITY

X-ON Electronics

Largest Supplier of Electrical and Electronic Components

Click to view similar products for [Automotive Connectors](#) category:

Click to view products by [TE Connectivity](#) manufacturer:

Other Similar products are found below :

[003-018-000](#) [60403001](#) [60993906-B](#) [M902-2131](#) [M902-2161](#) [72.330.1035.1](#) [73.353.4028.0](#) [F119300-B](#) [F166900](#) [F258300-B](#) [F358300-B](#)
[F407400](#) [F444110](#) [F487000](#) [F509500B-B](#) [827153-1](#) [8N1515-32-24P](#) [9-1326729-8](#) [925474-1](#) [928905-1](#) [964562-4](#) [968782-1](#) [GT17SA-8DS-](#)
[HU](#) [98891-1012](#) [98947-1016](#) [12004147](#) [12004475-L](#) [12010290](#) [12010309-B](#) [12015454](#) [12020219-B](#) [12020308](#) [12041318-B](#) [12052225-L](#)
[12052466](#) [12059125](#) [12064869](#) [12004327-B](#) [12010503-B](#) [12015308](#) [12015384](#) [12015909](#) [1-21030-1](#) [12041254](#) [12041318](#) [12047946-B](#)
[12047957](#) [12047957-L](#) [12059473](#) [12066261](#)