

Table with columns for Part No., Rev., Material, Surface, and various dimensions (E, G, Dp, H, K, Dp) for different crimp types and materials.

VERSION A

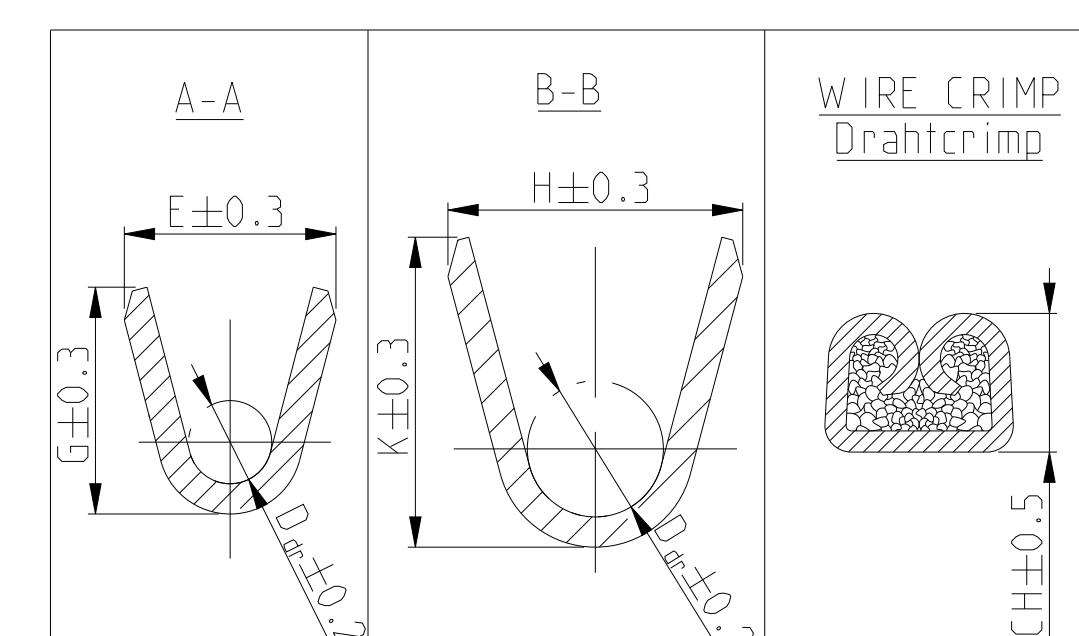


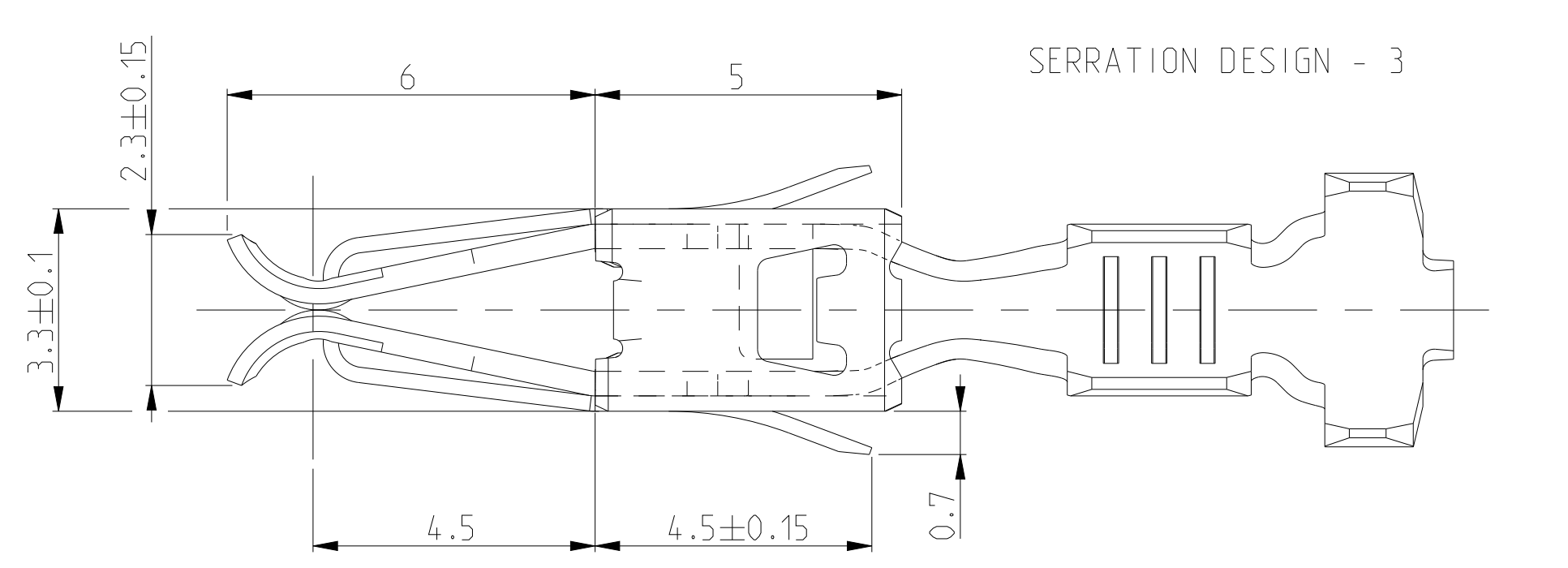
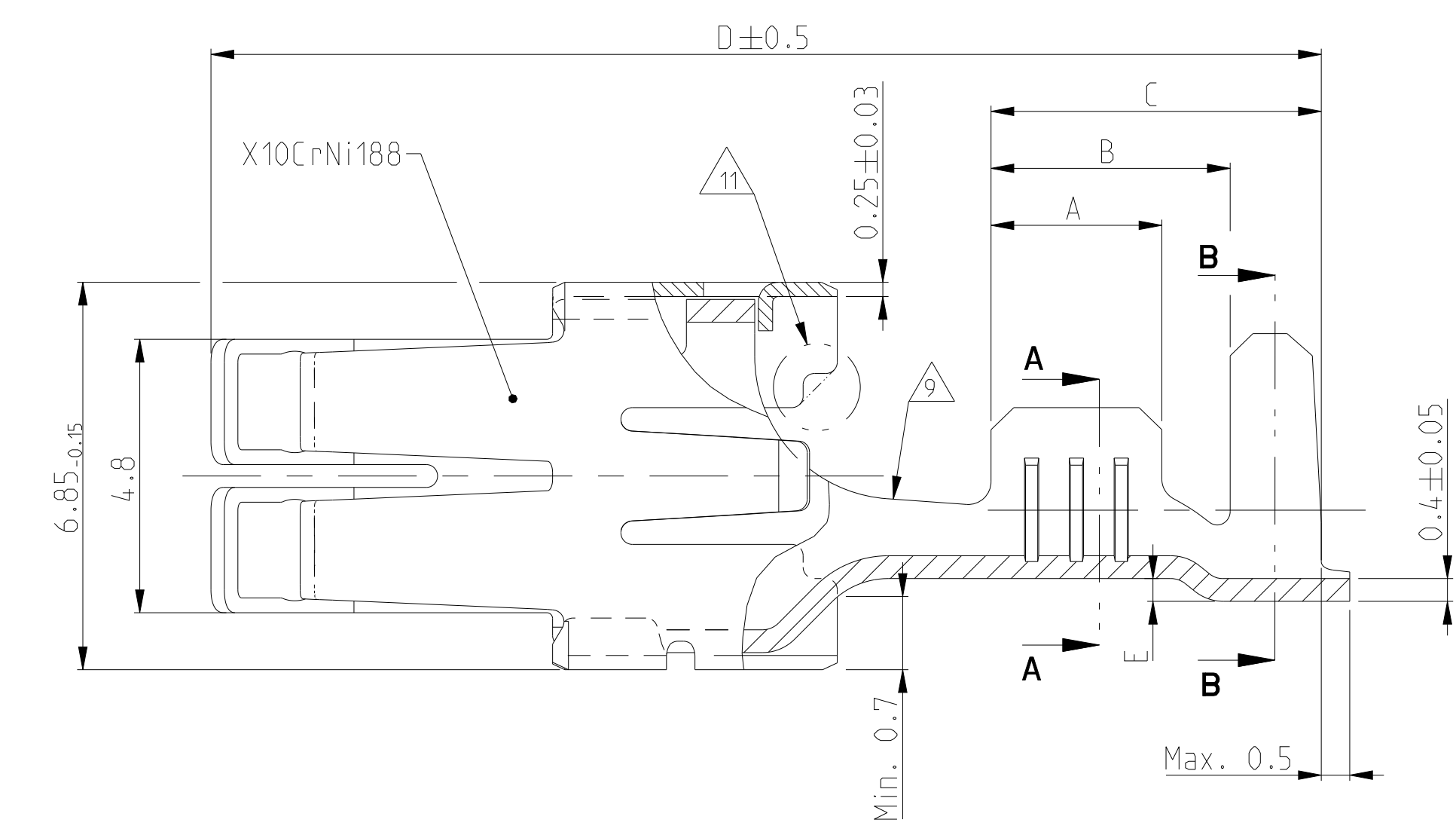
Table with columns for Part No., Rev., Material, Surface, and various dimensions (E, G, Dp, H, K, Dp) for different crimp types and materials.

Table with columns for Part No., Rev., Material, Surface, and various dimensions (E, G, Dp, H, K, Dp) for different crimp types and materials.

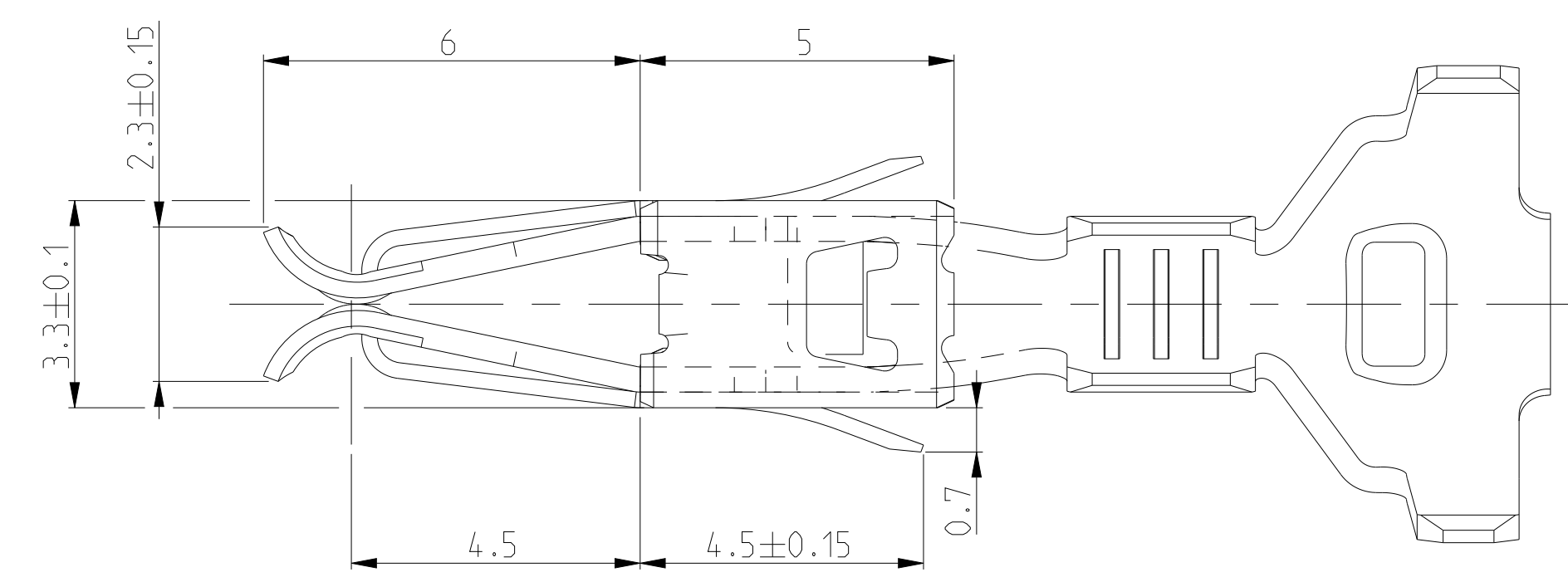
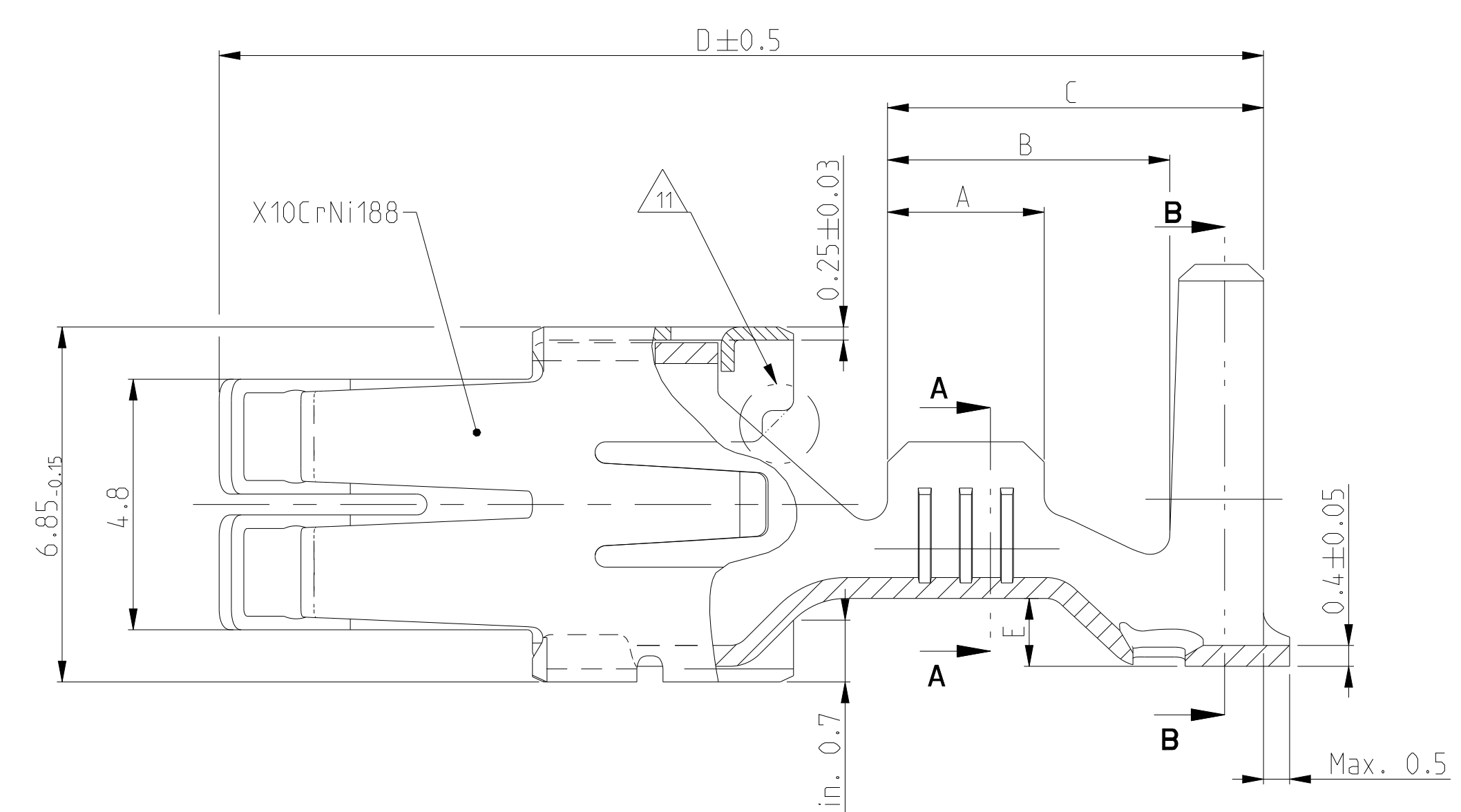
VERSION B

Table with columns for Part No., Rev., Material, Surface, and various dimensions (E, G, Dp, H, K, Dp) for different crimp types and materials.

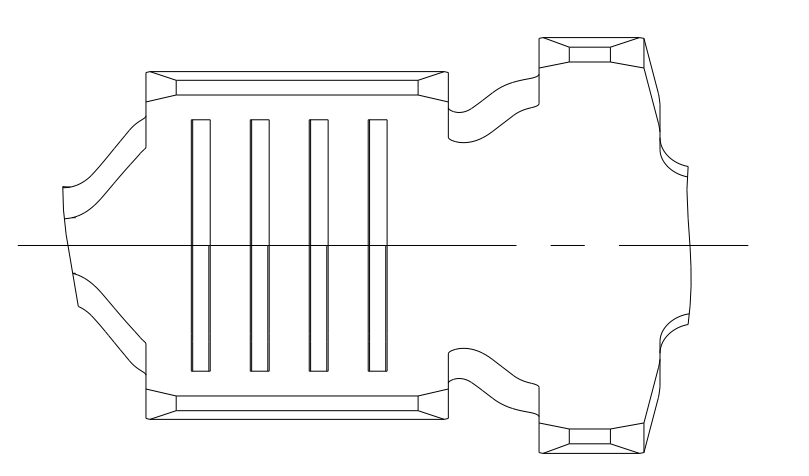
VERSION A (UNSEALED / ungedichtet)



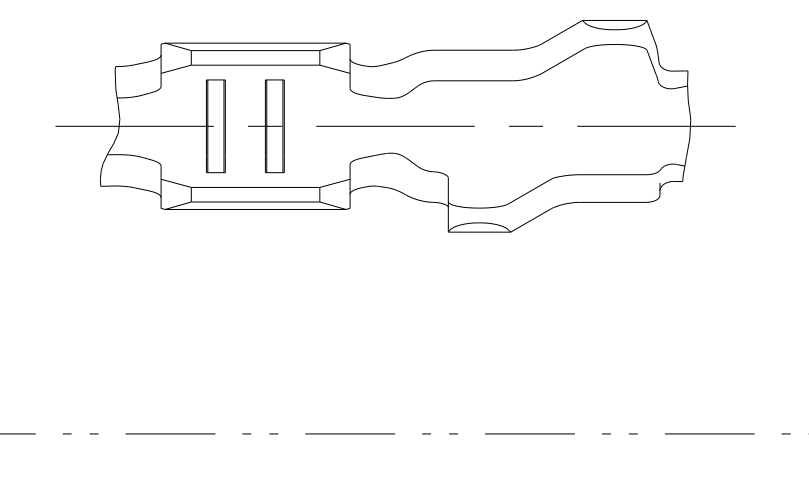
VERSION B (SINGLE WIRE SEAL / Einzel-Dichtungs-System)



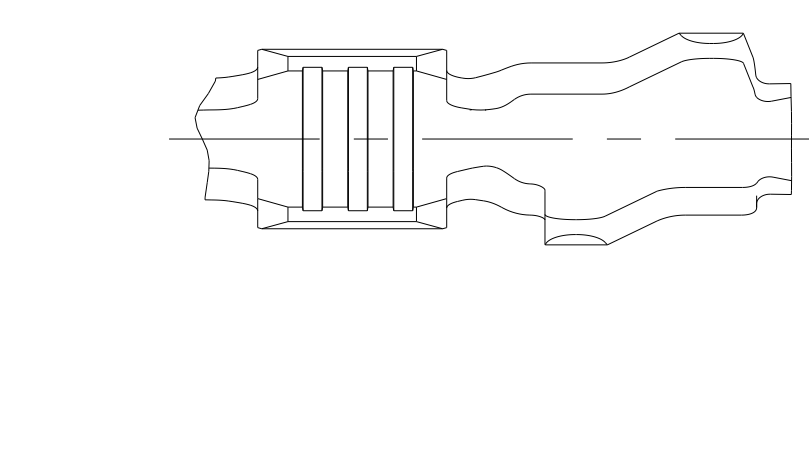
SERRATION DESIGN - 1



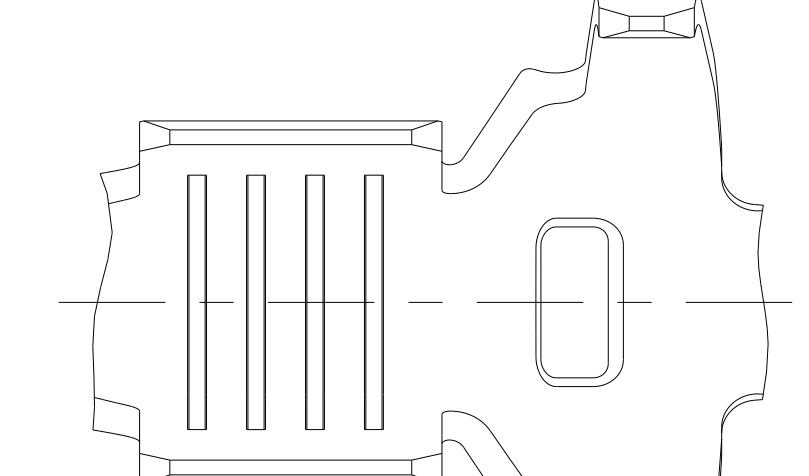
SERRATION DESIGN - 2



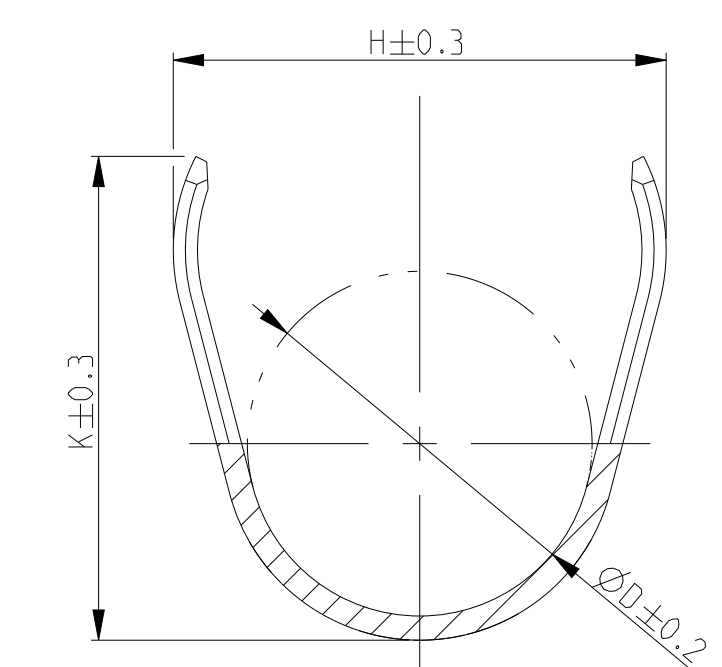
SERRATION DESIGN - 4



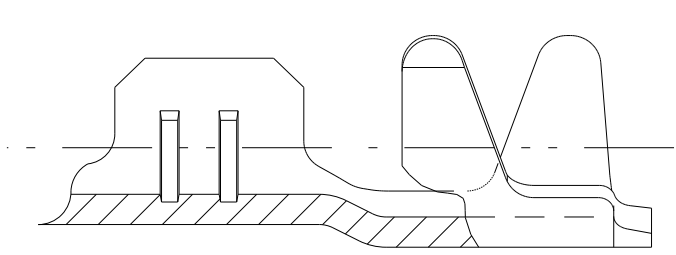
SERRATION DESIGN - 1



- CONTACT ZONE SELECTIVE PRE SILVER PLATED MIN 3-4.5µm
CONTACT ZONE SELECTIVE PRE SILVER PLATED MIN 1-1.5µm
CONTACT BODY: ELECTRO TIN PLATED OVER NICKEL CONTACT AREA: GOLD PLATED
CONTACT BODY: ELECTRO TIN PLATED OVER NICKEL CONTACT AREA: SELECTIVE NICKEL PLATED 2-4µm
CONTACT BODY: ELECTRO TIN PLATED OVER NICKEL TOUCHING AREA TO CANTILEVER SPRING AND CONTACT AREA



- WRAP CRIMP ONLY FOR PN: 927839, 927840, 928989 AND 928990
TRANSITION ONLY FOR PN 927827, 927828, 927829, 927830, 927833, 927834, 927837 AND 927838



- 1-3µm Sn28M LAYER FOR HIGHER TEMPERATURE REQUIREMENTS
DOTTED LINE IS ALTERNATIVE SHAPE
OBSOLETE
SEE APPLICATION SPEC. FOR PREFERRED STANDARD TO MEET NEW REQUIREMENT

TE Connectivity logo and drawing information including part number 1579007-6, revision 6, and date 968107-1.

X-ON Electronics

Largest Supplier of Electrical and Electronic Components

Click to view similar products for [Automotive Connectors](#) category:

Click to view products by [TE Connectivity](#) manufacturer:

Other Similar products are found below :

[003-018-000](#) [60403001](#) [60993906-B](#) [M902-2131](#) [M902-2161](#) [72.330.1035.1](#) [73.353.4028.0](#) [F119300-B](#) [F166900](#) [F258300-B](#) [F358300-B](#)
[F407400](#) [F444110](#) [F487000](#) [F509500B-B](#) [827153-1](#) [8N1515-32-24P](#) [9-1326729-8](#) [925474-1](#) [928905-1](#) [964562-4](#) [968782-1](#) [GT17SA-8DS-](#)
[HU](#) [98891-1012](#) [98947-1016](#) [12004147](#) [12004475-L](#) [12010290](#) [12010309-B](#) [12015454](#) [12020219-B](#) [12020308](#) [12041318-B](#) [12052225-L](#)
[12052466](#) [12059125](#) [12064869](#) [12004327-B](#) [12010503-B](#) [12015308](#) [12015384](#) [12015909](#) [1-21030-1](#) [12041254](#) [12041318](#) [12047946-B](#)
[12047957](#) [12047957-L](#) [12059473](#) [12066261](#)