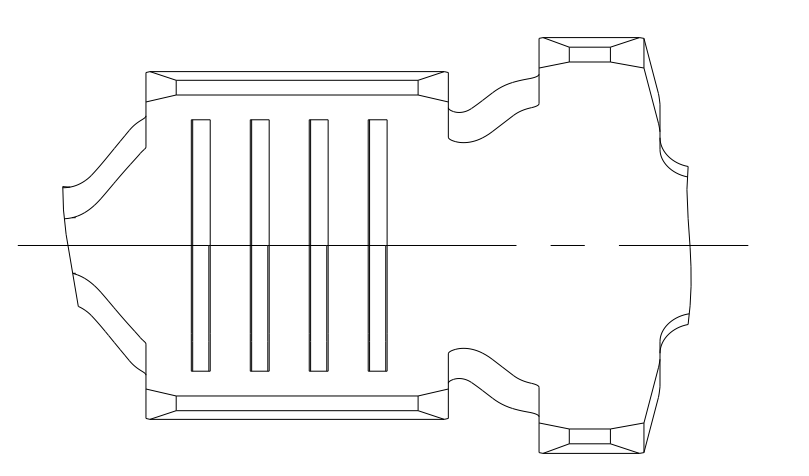


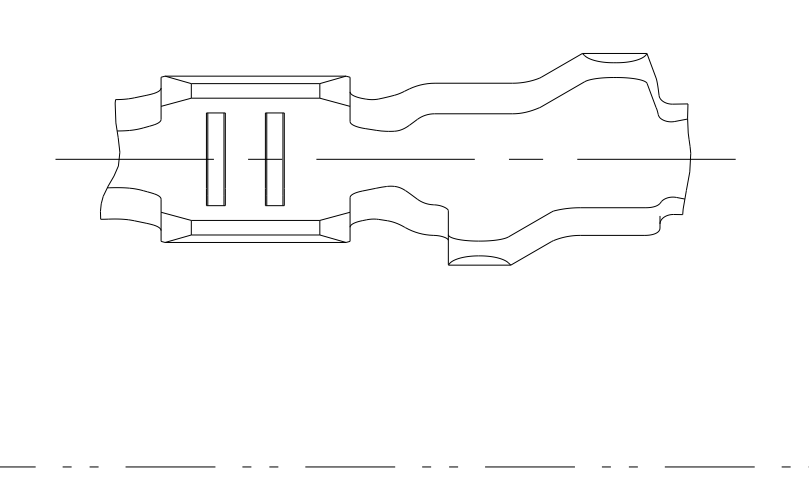
REV.	DATE	APPD.
B10	20FEB2021	JJM
B11	19MAY2021	JJM
B12	27MAY2021	JJM
B13	06SEP2021	KMD

VERSION A (UNSEALED / ungedichtet)

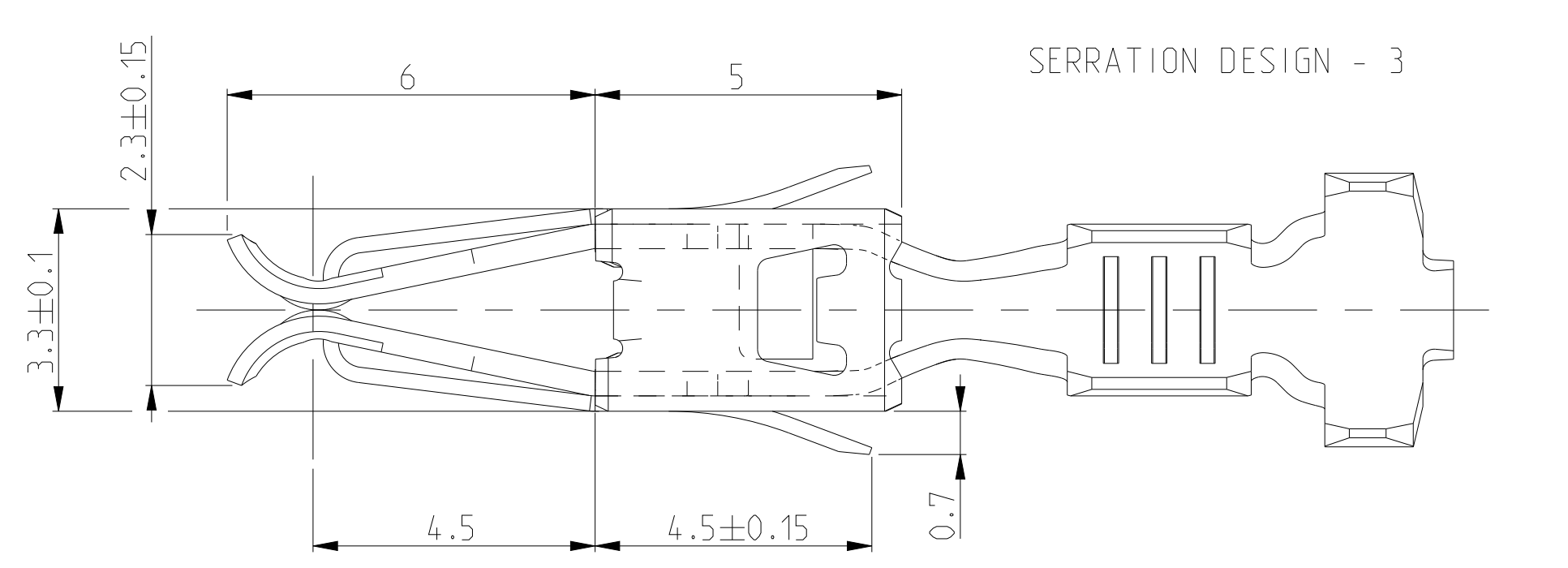
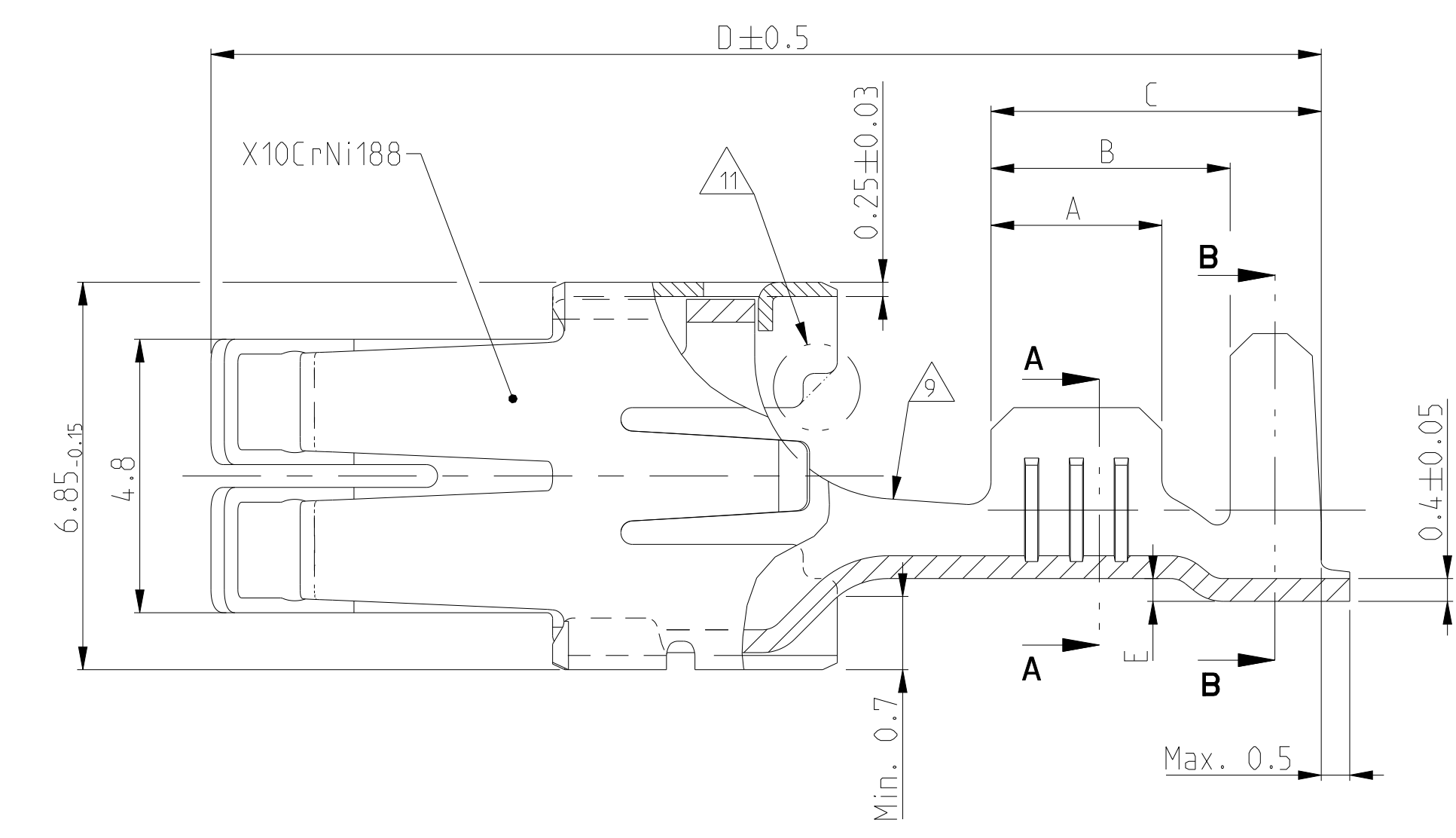
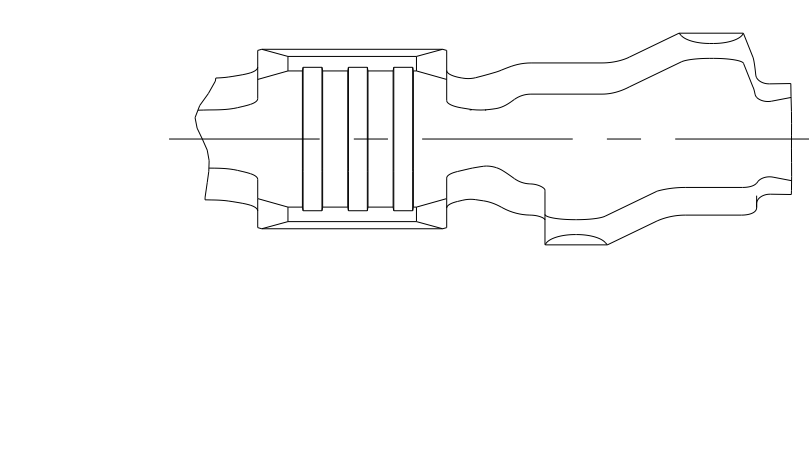
SERRATION DESIGN - 1



SERRATION DESIGN - 2

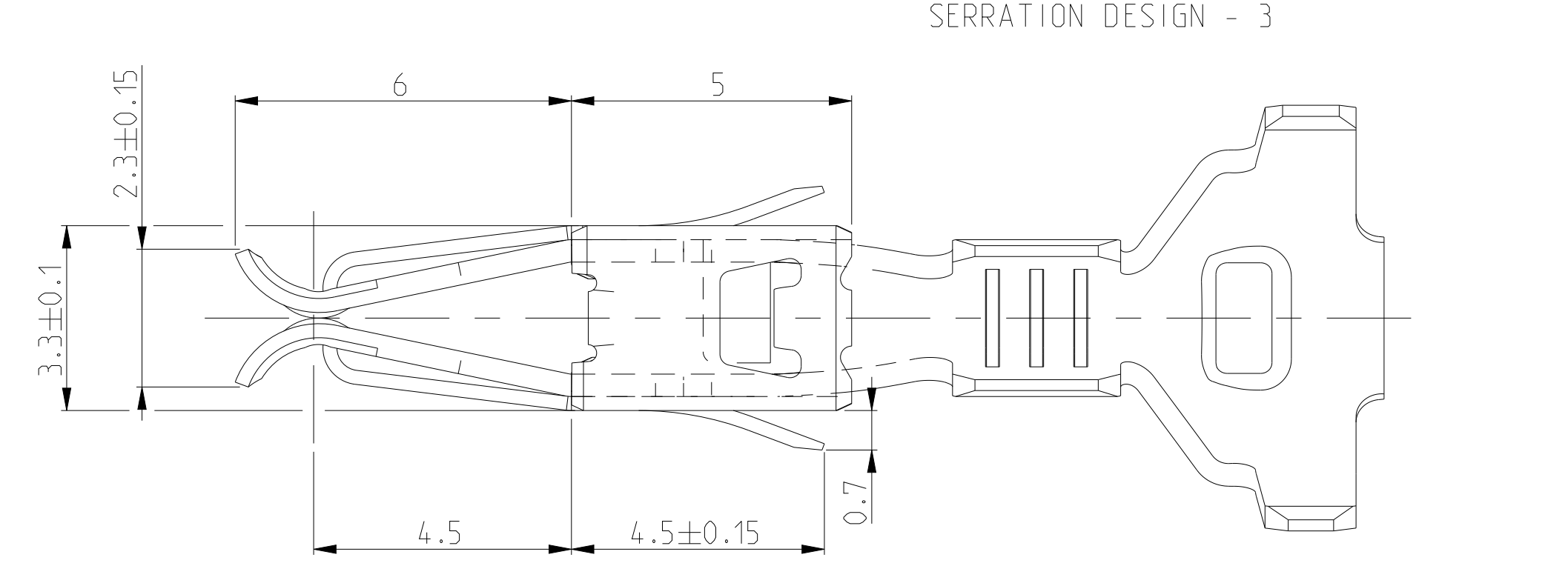
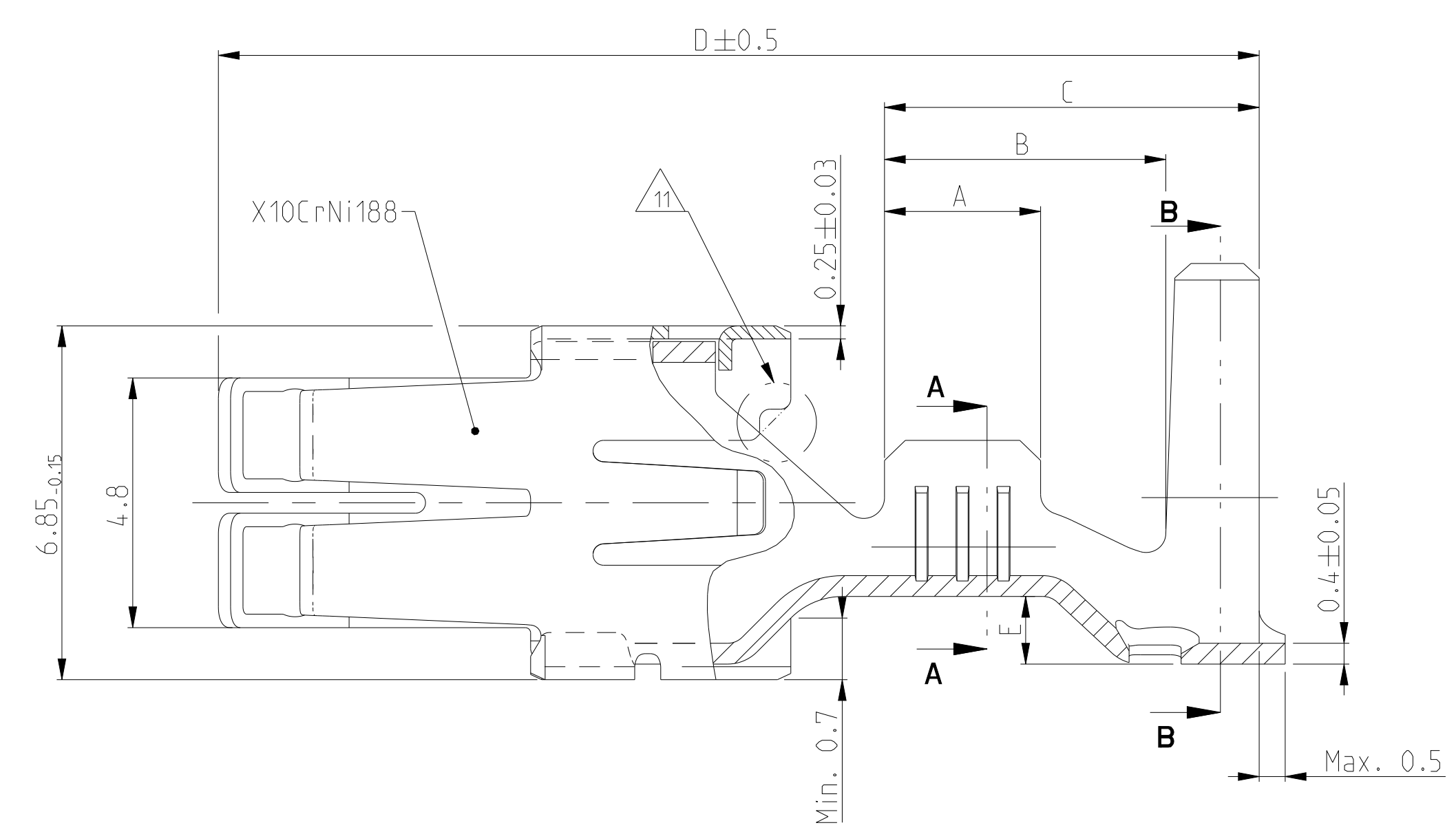
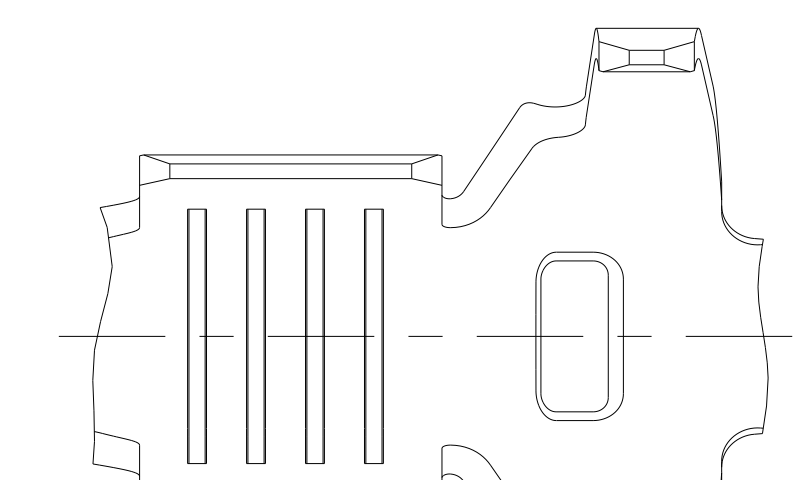


SERRATION DESIGN - 4



VERSION B (SINGLE WIRE SEAL / Einzel-Dichtungs-System)

SERRATION DESIGN - 1



REV	STRIP FORM BANDWARE	ISERRATION DESIGN	REV	STRIP FORM BANDWARE	ISERRATION DESIGN	REV	STRIP FORM BANDWARE	ISERRATION DESIGN	REV	STRIP FORM BANDWARE	ISERRATION DESIGN	MATERIAL	SURFACE	CRIMP DIMENSIONS (mm)	EXTRACTION TOOL	HAND TOOL	TE CONNECTIVITY ORDER - No.							
-	-	-	-	-	-	-	-	-	-	-	-	-	-	0.35 - 0.5 FLR	E = 2.37 G = 2.45 D _w = 0.8	H = 2.8 K = 3.1 D _w = 1.4	0.5mm ² = 1.14 0.35mm ² = 1.09 0.5mm ² = 1.14 0.35mm ² = 1.09	MQC - Applicator 2837770-2	-	2.5	3.8	6.6	19.5	0.3
-	-	-	-	-	-	-	-	-	-	-	-	-	-	0.35 - 0.5 FLU	E = 2.2 G = 2.2 D _w = 0.8	H = 3.7 K = 3.8 D _w = 2.0	0.20mm ² = 1.13 0.25mm ² = 1.15 0.35mm ² = 1.19 0.50mm ² = 1.26	MQC - Applicator 878426-2	539635-1 WITH DIE: mit Matrizze 539744-2	2.5	3.8	6.6	19.5	0.3
-	-	-	-	-	-	-	-	-	-	-	-	-	-	0.2 - 0.5 FLK	E = 2.8 G = 3.0 D _w = 1.1	H = 4.5 K = 4.7 D _w = 2.4	0.5mm ² = 1.38 0.75mm ² = 1.47 1.0mm ² = 1.56	MQC - Applicator 2-541689-2	539733-2 WITH DIE: mit Matrizze 734249-0	3	4.2	5.8	19.5	0.4
-	-	-	-	-	-	-	-	-	-	-	-	-	-	>1.0 - 2.5 FLK	E = 3.8 G = 4.1 D _w = 1.6	H = 5.7 K = 5.8 D _w = 3.6	1.5mm ² = 1.76 2.0mm ² = 1.90 2.5mm ² = 2.04	MQC - Applicator 878367-2	539635-1 WITH DIE: mit Matrizze 539733-2	3.5	4.7	6.3	19.5	0.4
927824-2	C	-	-	-	-	-	-	-	-	-	-	CuSn4	PRETINNED vorverzinkt	>2.5 - 4.0 FLK	E = 4.6 G = 4.8 D _w = 2.4	H = 6.3 K = 6.6 D _w = 4.0	3.0mm ² = 2.13 3.5mm ² = 2.24 4.0mm ² = 2.35	MQC - Applicator 2-878314-2	539635-1 WITH DIE: mit Matrizze 539734-2	4	5.2	6.8	19.5	0.6
927824-1	C	-	-	-	-	-	-	-	-	-	-	CuFe2	PRETINNED vorverzinkt	4.0 - 6.0 FLK	E = 5.2 G = 5.5 D _w = 2.9	H = 7.3 K = 7.6 D _w = 4.5	4.0mm ² = 2.17 5.0mm ² = 2.36 6.0mm ² = 2.55	MQC - Applicator 2-878738-2	-	4.2	5.6	7.7	20	0.6
927829-5	D	-	-	-	-	-	-	-	-	-	-	CuSn4	vorverzinkt PRESILVERED	0.2 - 0.5 FLR	E = 2.2 G = 2.2 D _w = 0.8	H = 2.8 K = 2.8 D _w = 1.4	0.2mm ² = 1.13 0.35mm ² = 1.19 0.5mm ² = 1.26	MQC - Applicator 878427-2	-	2.5	3.8	6.6	19.5	0.3
1241818-5	B	-	-	-	-	-	-	-	-	-	-	CuFe2	vorverzinkt PRETINNED	0.5 - 1.0 FLR	E = 2.8 G = 3.0 D _w = 1.1	H = 3.9 K = 4.1 D _w = 1.8	0.5mm ² = 1.43 0.75mm ² = 1.52 1.0mm ² = 1.61	MQC - Applicator 878328-2	169400-0 WITH DIE: mit Matrizze 734781-1	3	4.2	5.8	19.5	0.4
1241818-1	B	-	-	-	-	-	-	-	-	-	-	CuFe2	vorverzinkt PRETINNED	>1.0 - 2.5 FLR	E = 3.8 G = 4.1 D _w = 1.6	H = 4.8 K = 4.9 D _w = 2.6	1.25mm ² = 1.69 1.5mm ² = 1.76 2.0mm ² = 1.90 2.5mm ² = 2.04	MQC - Applicator 878356-2	169400-0 WITH DIE: mit Matrizze 734251-0	3.5	4.7	6.3	19.5	0.4
927829-5	D	-	-	-	-	-	-	-	-	-	-	CuSn4	vorverzinkt PRESILVERED	>2.5 - 4.0 FLR	E = 4.6 G = 4.8 D _w = 2.4	H = 5.5 K = 5.7 D _w = 3.3	3.0mm ² = 2.13 3.5mm ² = 2.24 4.0mm ² = 2.35	MQC - Applicator 2-878384-2	169400-0 WITH DIE: mit Matrizze 734251-0	4	5.2	6.8	19.5	0.6

REV	STRIP FORM BANDWARE	ISERRATION DESIGN	REV	STRIP FORM BANDWARE	ISERRATION DESIGN	REV	STRIP FORM BANDWARE	ISERRATION DESIGN	REV	STRIP FORM BANDWARE	ISERRATION DESIGN	MATERIAL	SURFACE	CRIMP DIMENSIONS (mm)	EXTRACTION TOOL	HAND TOOL	TE CONNECTIVITY ORDER - No.							
-	-	-	-	-	-	-	-	-	-	-	-	-	-	0.5 - 1.0 FLR	E = 2.8 G = 3.0 D _w = 1.1	H = 7.6 K = 7.7 D _w = 5.6	0.5mm ² = 1.43 0.75mm ² = 1.52 1.0mm ² = 1.61	MQC - Applicator 878337-2	539635-1 WITH DIE: mit Matrizze 739736-2	3	5.4	7.2	20	1.25
-	-	-	-	-	-	-	-	-	-	-	-	-	-	>1.0 - 2.5 FLR	E = 3.8 G = 4.1 D _w = 1.6	H = 7.6 K = 7.7 D _w = 5.6	1.5mm ² = 1.76 2.0mm ² = 1.90 2.5mm ² = 2.04	MQC - Applicator 878338-2	539635-1 WITH DIE: mit Matrizze 539736-2	3.5	5.9	7.7	20	1.25
2-928966-2	D	-	-	-	-	-	-	-	-	-	-	CuSn4	vorverzinkt PRETINNED	>2.5 - 4.0 FLR	E = 4.6 G = 4.8 D _w = 2.4	H = 7.6 K = 7.7 D _w = 5.6	3.0mm ² = 2.13 4.0mm ² = 2.35	MQC - Applicator 878441-2	539635-1 WITH DIE: mit Matrizze 539736-2	4	5.9	7.7	20	1.25
2-928966-1	D	-	-	-	-	-	-	-	-	-	-	CuSn4	vorverzinkt PRETINNED	>3.0 - 5.0 FLR	E = 4.8 G = 5.2 D _w = 2.5	H = 8.15 K = 7.8 D _w = 6.0	3.0mm ² = 2.25 4.0mm ² = 2.50 5.0mm ² = 2.75	MQC - Applicator -	WITH DIE: mit Matrizze	4	5.9	7.7	20	1.25

- CONTACT ZONE SELECTIVE PRE SILVER PLATED MIN 3-4.5µm Kontaktzone selektiv vorversilbert min. 3-4.5µm
- CONTACT ZONE SELECTIVE PRE SILVER PLATED MIN 1-1.5µm Kontaktzone selektiv vorversilbert min. 1-1.5µm
- CONTACT BODY: ELECTRO TIN PLATED OVER NICKEL CONTACT AREA: GOLD PLATED Kontaktkoerper: gal. verzinkt ueber Nickel Kontaktzone: vergoldet
- CONTACT BODY: ELECTRO TIN PLATED OVER NICKEL CONTACT AREA: SELECTIVE NICKEL PLATED 2-4µm Kontaktkoerper: gal. verzinkt ueber Nickel Kontaktzone: selektiv vernickelt 2-4µm
- CONTACT BODY: ELECTRO TIN PLATED OVER NICKEL TOUCHING AREA TO CANTILEVER SPRING: SELECTIVE AU PLATED OVER NICKEL CANTILEVER SPRING: COMPLETELY AU PLATED Kontaktkoerper: gal. verzinkt ueber Nickel Anlageflaeche zur Ueberfeder selektiv Au ueber Ni beschichtet Ueberfeder: komplett Au beschichtet
- PRE-FORM ISO-AREA ONLY FOR PN: 1241962-1 Isoflanken vorgeformt nur bei PN:1241962-1
- CONTACT BODY: ELECTRO TIN PLATED OVER NICKEL TOUCHING AREA TO CANTILEVER SPRING AND CONTACT AREA SELECTIVE AU PLATED OVER NICKEL CANTILEVER SPRING: COMPLETELY AU PLATED Kontaktkoerper: gal. verzinkt ueber Nickel Anlageflaeche zur Ueberfeder selektiv Au ueber Ni beschichtet Ueberfeder: komplett Au beschichtet

- WRAP CRIMP ONLY FOR PN: 927839,927840,928989 AND 928990 Umfassungscrimp nur bei PN: 927839,927840,928989 und 928990
- TRANSITION ONLY FOR PN 927827,927828,927829, 927830,927833,927834,927837 AND 927838 Uebergang nur fuer PN 927827,927828,927829, 927830,927833,927834,927837 und 927838
- 1-3µm Sn28M LAYER FOR HIGHER TEMPERATURE REQUIREMENTS 1-3µm Sn28M Schicht fuer hoehere Temperaturanforderungen
- DOTTED LINE IS ALTERNATIVE SHAPE Gestrichelte Linie alternative Form
- OBsolete
- SEE APPLICATION SPEC. FOR PREFERRED STANDARD TO MEET NEW REQUIREMENT LV214-2 SLOW MOTION BENDING TEST Siehe Verarbeitungs Spezifikation fuer bevorzugten Standard um den neuen Anforderungen der LV214-2 Slow Motion Pruefung zu genuegen

THIS DRAWING IS A CONTROLLED DOCUMENT. DIMENSIONING AND TOLERANCING PER ISO STANDARDS.

DATE: 20210111

REV: 1

TE CONNECTIVITY

STANDARD POWER TIMER CONTACT

Standard Power Timer Kontakt

SIZE: 10.1 SHEET 1 OF 1

SCALE: 1:1

REV: B13

X-ON Electronics

Largest Supplier of Electrical and Electronic Components

Click to view similar products for [Automotive Connectors](#) category:

Click to view products by [TE Connectivity](#) manufacturer:

Other Similar products are found below :

[003-018-000](#) [60403001](#) [60993906-B](#) [M902-2131](#) [M902-2161](#) [M902-2344](#) [72.330.1035.1](#) [73.353.4028.0](#) [F119300-B](#) [F166900](#) [F258300-B](#)
[F358300-B](#) [F407400](#) [F444110](#) [F487000](#) [F509500B-B](#) [827153-1](#) [8N1515-32-24P](#) [9-1326729-8](#) [925474-1](#) [928905-1](#) [964562-4](#) [968782-1](#)
[GT17SA-8DS-HU](#) [98891-1012](#) [98947-1016](#) [12004147](#) [12004475-L](#) [12010290](#) [12010309-B](#) [12015454](#) [12020219-B](#) [12041318-B](#) [12052225-](#)
[L](#) [12052466](#) [12064869](#) [12004327-B](#) [12015308](#) [12015384](#) [12015909](#) [1-21030-1](#) [12041254](#) [12041318](#) [12047946-B](#) [12047957](#) [12047957-L](#)
[12059473](#) [12066261](#) [12110546](#) [12110546-B](#)