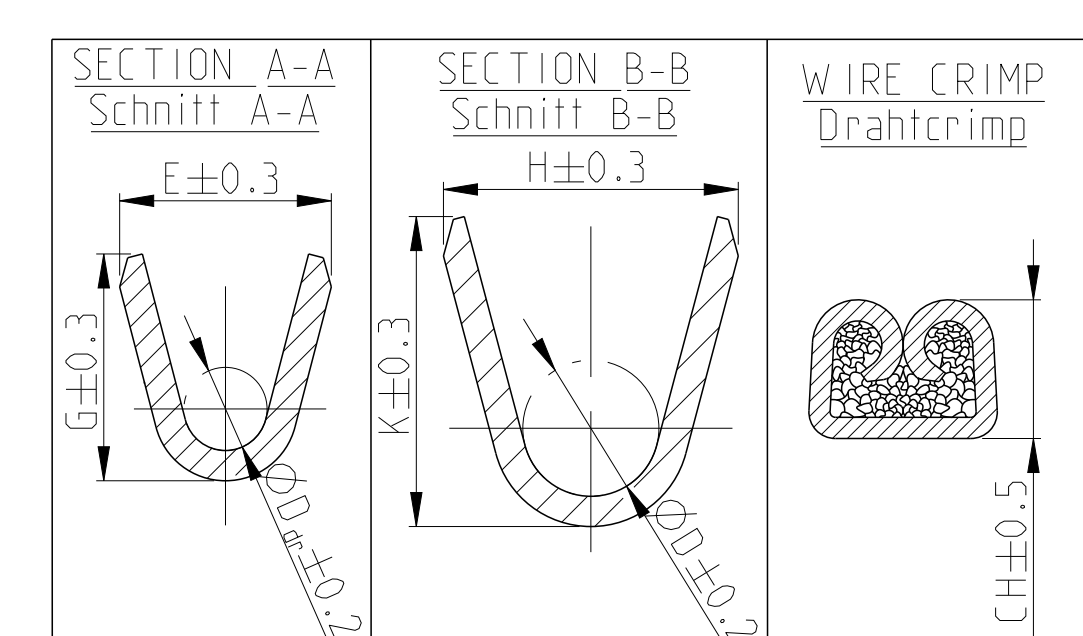
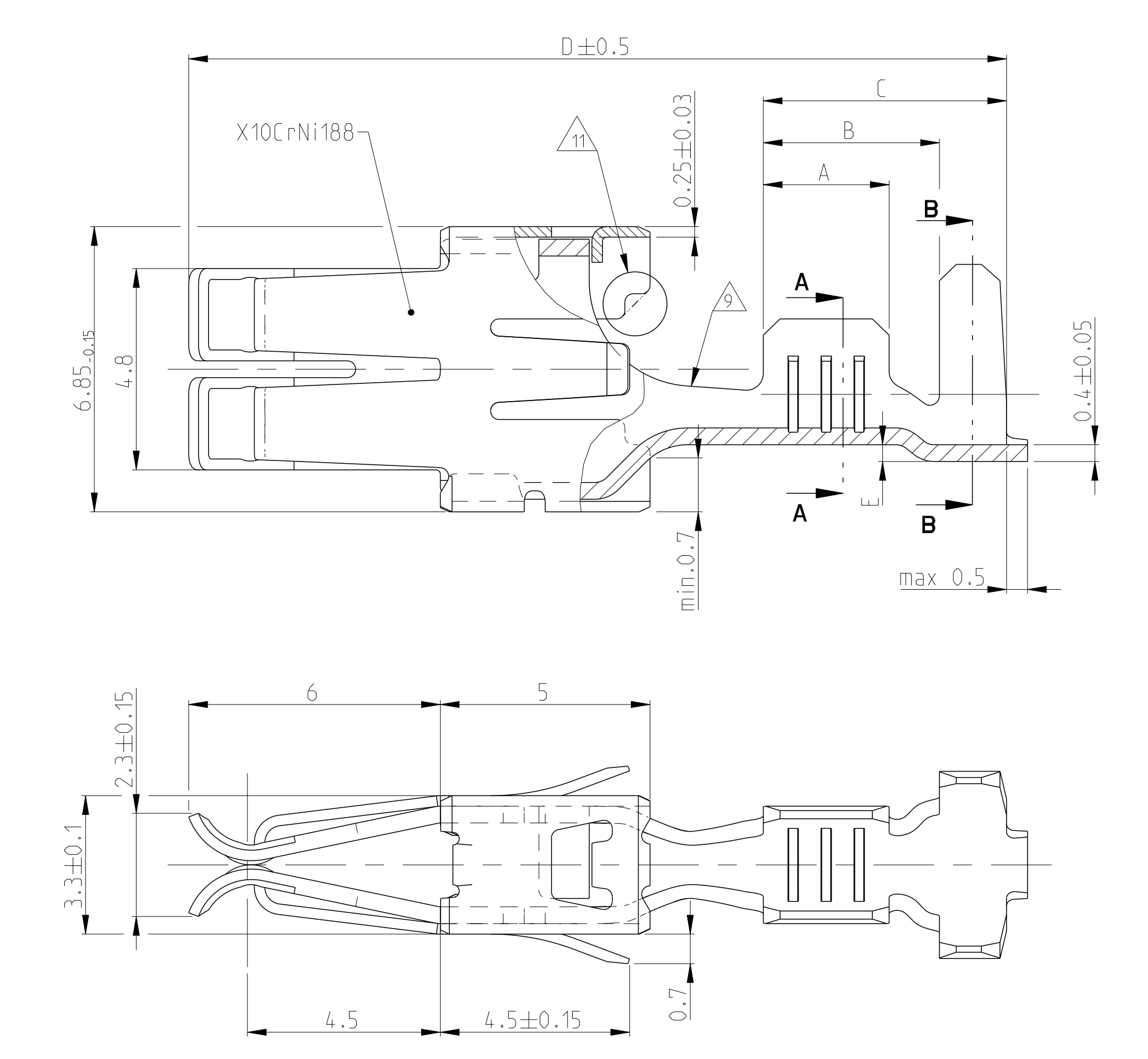


REV	DATE	DESCRIPTION	BY	CHK	APPD
B3	SEE ECR 12-016501		MSB2012	JS	RS
B4	ECR-14-010155		MAJ2014	S.K	J.P
B5	ECR-15-012070		MAJ2015	J.B.H	B.K
B6	ECR-15-017291		ODD2015	J.B.H	J.P



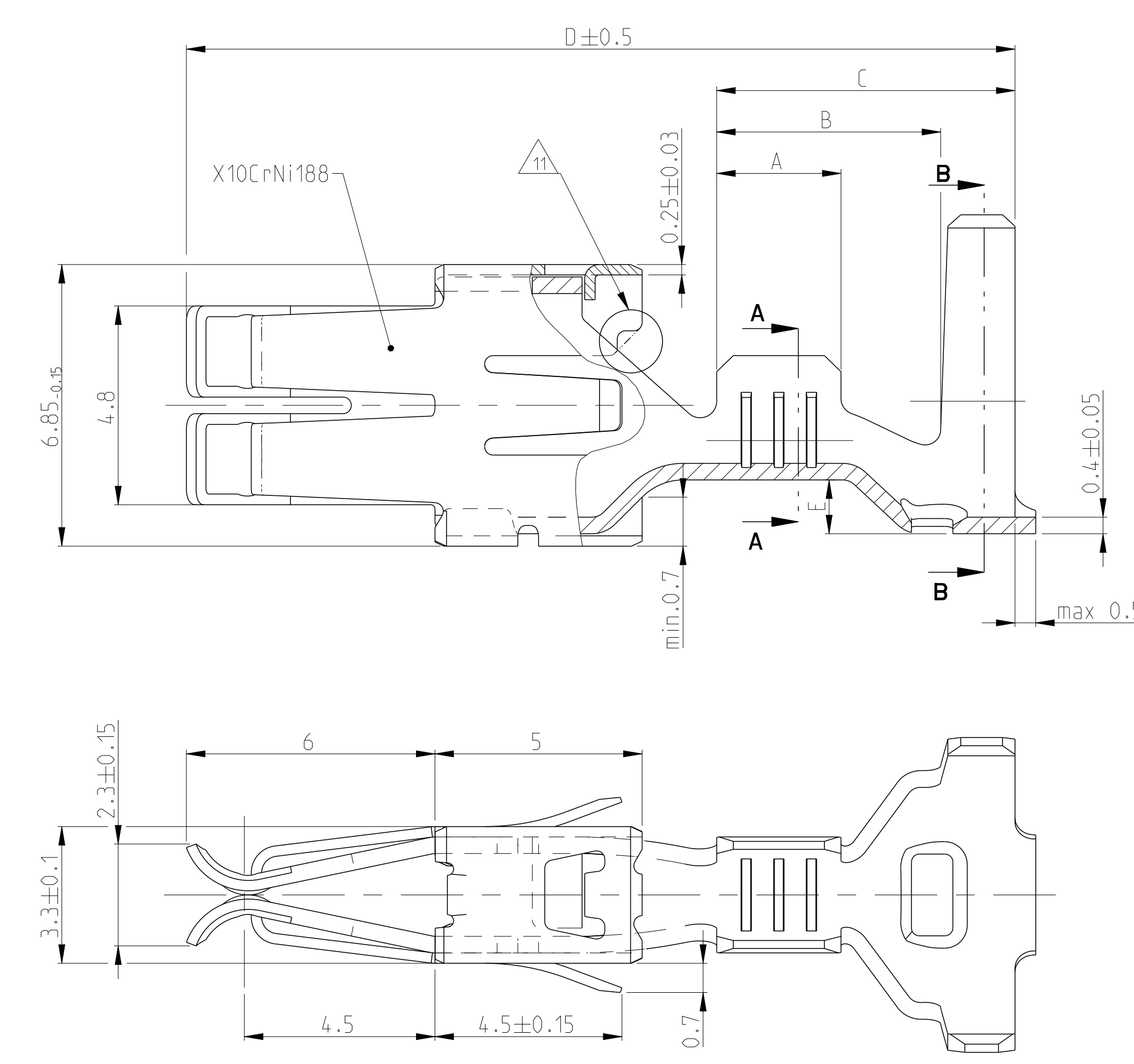
PN	REV	MATERIAL	SURFACE	PREP	CRIMP DIMENSIONS (mm)	EXTRACTION TOOL	HAND TOOL	TE CONNECTIVITY ORDER - NO	DEAD END PLUG				
927839-5	C	CuFe2	vorversilbert PRESILVERED	0.2 - 0.5 FLK	E = 2.2 G = 2.2 D = 0.8 H = 3.7 K = 3.8	MQC - Applicator 878426-2	539635-1 WITH DIE: mit Matrize 539744-2	2.5	3.8	6.6	19.5	0.3	
927827-2	C	CuSn4	vorverzinkt PRETINNED	0.5 - 1.0 FLK	E = 2.8 G = 4.1 D = 1.1 H = 4.5 K = 4.7 D = 2.4	MQC - Applicator 2-541689-2	539733-2 WITH DIE: mit Matrize 734249-0	3	4.2	5.8	19.5	0.4	
927833-5	D	CuFe2	vorverzinkt PRETINNED	>1.0 - 2.5 FLK	E = 3.8 G = 4.1 D = 1.6 H = 5.7 K = 5.8 D = 3.6	MQC - Applicator 878367-2	539635-1 WITH DIE: mit Matrize 539733-2	3.5	4.7	6.3	19.5	0.4	
927824-2	C	CuSn4	vorverzinkt PRETINNED	>2.5 - 4.0 FLK	E = 4.6 G = 4.8 D = 2.4 H = 6.3 K = 6.2 D = 4.0	MQC - Applicator 2-878314-2	539635-1 WITH DIE: mit Matrize 539733-2	4	5.2	6.8	19.5	0.6	
963709-5	C	CuFe2	vorversilbert PRESILVERED	4.0 - 6.0 FLK	E = 5.2 G = 5.5 D = 2.9 H = 7.3 K = 7.6 D = 4.5	MQC - Applicator 2-878738-2	-	4.2	5.6	7.7	20	0.6	
963709-4	C	CuSn4	vorverzinkt PRETINNED										
963709-3	C	CuSn4	vorverzinkt PRETINNED										
1241818-6	B	CuNiSi	vorversilbert PRESILVERED	0.2 - 0.5 FLR	E = 2.2 G = 2.2 D = 0.8 H = 2.8 K = 2.8	MQC - Applicator 878427-2	-	2.5	3.8	6.4	19.5	0.3	
1241818-5	B	CuFe2	vorverzinkt PRETINNED										
1241818-1	B	CuFe2	vorverzinkt PRETINNED										
927840-5	C	CuFe2	vorversilbert PRESILVERED	0.5 - 1.0 FLR	E = 2.8 G = 3.0 D = 1.1 H = 3.9 K = 4.1	MQC - Applicator 878328-2	169400-0 WITH DIE: mit Matrize 734781-1	3	4.2	5.8	19.5	0.4	
927840-4	C	CuSn4	vorverzinkt PRETINNED										
927840-2	C	CuSn4	vorverzinkt PRETINNED										
927831-5	C	CuFe2	vorversilbert PRESILVERED	>1.0 - 2.5 FLR	E = 3.8 G = 4.1 D = 1.6 H = 4.8 K = 4.9	MQC - Applicator 878356-2	169400-0 WITH DIE: mit Matrize 734251-0	3.5	4.7	6.3	19.5	0.4	
927831-2	C	CuSn4	vorverzinkt PRETINNED										
927831-1	C	CuFe2	vorverzinkt PRETINNED										
1-927837-5	C	CuFe2	vorversilbert PRESILVERED	>2.5 - 4.0 FLR	E = 4.6 G = 4.8 D = 2.4 H = 5.5 K = 5.7	MQC - Applicator 2-878384-2	169400-0 WITH DIE: mit Matrize 734251-0	4	5.2	6.8	19.5	0.6	
927837-6	D	CuFe2	vorversilbert PRESILVERED										
927837-5	D	CuFe2	vorversilbert PRESILVERED										

VERSION A (UNSEALED / ungedichtet)



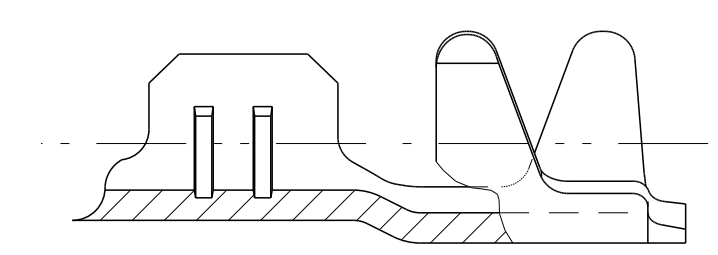
PN	REV	MATERIAL	SURFACE	PREP	CRIMP DIMENSIONS (mm)	EXTRACTION TOOL	HAND TOOL	TE CONNECTIVITY ORDER - NO	DEAD END PLUG					
2-927836-2	C	CuSn4	vorversilbert PRESILVERED	0.5 - 1.0 FLR	E = 2.8 G = 3.0 D = 1.1 H = 7.6 K = 7.7 D = 5.6	MQC - Applicator 878337-2	539635-1 WITH DIE: mit Matrize 739736-2	3	5.4	7.2	20	1.25	963243-1 963244-1	100132-1
927836-2	C	CuSn4	vorverzinkt PRETINNED											
927836-1	C	CuFe2	vorverzinkt PRETINNED											
2-927835-2	C	CuSn4	vorversilbert PRESILVERED	>1.0 - 2.5 FLR	E = 3.8 G = 4.1 D = 1.6 H = 7.6 K = 7.7 D = 5.6	MQC - Applicator 878338-2	539635-1 WITH DIE: mit Matrize 539736-2	3.5	5.9	7.7	20	1.25	963244-1 963245-1	100132-1
2-927835-1	C	CuSn4	vorverzinkt PRETINNED											
1-927835-3	C	CuFe2	vorverzinkt PRETINNED											
1-927835-2	C	CuFe2	vorversilbert PRESILVERED	>2.5 - 4.0 FLR	E = 4.6 G = 4.8 D = 2.4 H = 7.6 K = 7.7 D = 5.6	MQC - Applicator 878441-2	539635-1 WITH DIE: mit Matrize 539736-2	4	5.9	7.7	20	1.25	963245-1	100132-1
927835-2	C	CuSn4	vorverzinkt PRETINNED											
927835-1	C	CuFe2	vorverzinkt PRETINNED											
2-928966-2	D	CuSn4	vorversilbert PRESILVERED	>3.0 - 5.0 FLR	E = 4.8 G = 5.2 D = 2.5 H = 8.15 K = 7.8 D = 6.0	MQC - Applicator -	539635-1 WITH DIE: mit Matrize 539736-2	4	5.9	7.7	20	1.25	967011-1 963245-1	100132-1
2-928966-1	D	CuSn4	vorverzinkt PRETINNED											
1-928966-3	D	CuFe2	vorverzinkt PRETINNED											
1-928966-2	D	CuFe2	vorversilbert PRESILVERED											
928966-2	D	CuSn4	vorverzinkt PRETINNED											
928966-1	D	CuFe2	vorverzinkt PRETINNED											
1241962-1	B	CuFe2	vorverzinkt PRETINNED											

VERSION B (SINGLE WIRE SEAL / Einzel-Dichtungs-System)



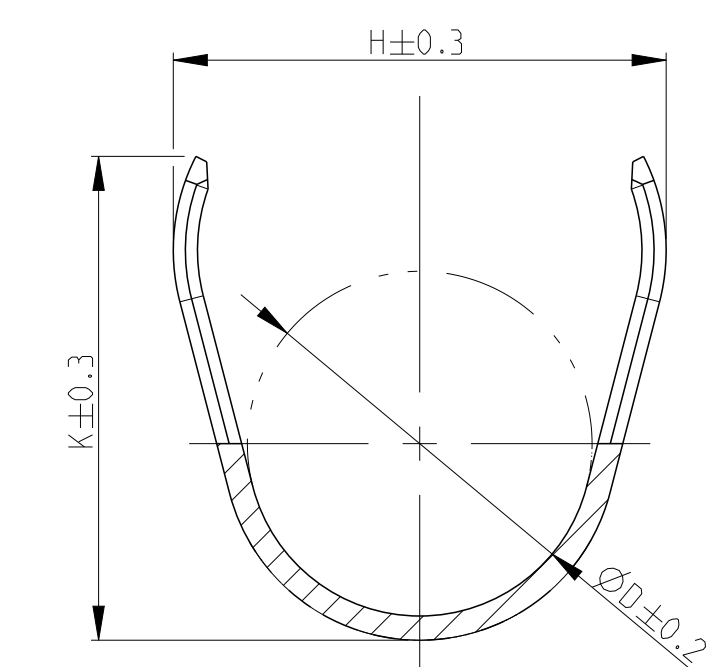
- CONTACT ZONE SELECTIVE PRE SILVER PLATED MIN 3-4.5 µm Kontaktzone selektiv vorversilbert min. 3-4.5 µm
- CONTACT ZONE SELECTIVE PRE SILVER PLATED MIN 1-1.5 µm Kontaktzone selektiv vorversilbert min. 1-1.5 µm
- CONTACT BODY: ELECTRO TIN PLATED OVER NICKEL CONTACT AREA: GOLD PLATED Kontaktkoerper: gal. verzinkt ueber Nickel Kontaktzone: vergoldet
- CONTACT BODY: ELECTRO TIN PLATED OVER NICKEL CONTACT AREA: SELECTIVE NICKEL PLATED 2-4 µm Kontaktkoerper: gal. verzinkt ueber Nickel Kontaktzone: selektiv vernickelt 2-4 µm
- CONTACT BODY: ELECTRO TIN PLATED OVER NICKEL TOUCHING AREA TO CANTILEVER SPRING: SELECTIVE AU PLATED OVER NICKEL CANTILEVER SPRING: COMPLETELY AU PLATED Kontaktkoerper: gal. verzinkt ueber Nickel Anlageflaeche zur Ueberfeder selektiv Au ueber Ni beschichtet Ueberfeder: komplett Au beschichtet

- WRAP CRIMP ONLY FOR PN: 927839, 927840, 928989 AND 928990 Umfassungscrimp nur bei PN: 927839, 927840, 928989 und 928990



- TRANSITION ONLY FOR PN 927827, 927828, 927829, 927830, 927833, 927834, 927837, AND 927838 Uebergang nur fuer PN 927827, 927828, 927829, 927830, 927833, 927834, 927837, und 927838

- 1-3 µm Sn20M LAYER FOR HIGHER TEMPERATURE REQUIREMENTS 1-3 µm Sn20M Schicht fuer hoehere Temperaturanforderungen
- DOTTED LINE IS ALTERNATIVE SHAPE Gestrichelte Linie alternative Form
- OBSOLETE



SECTION B-B Schnitt B-B

THIS DRAWING IS A CONTROLLED DOCUMENT. DIMENSIONS: (mm) 0.1, 0.2, 0.5, 1, 2, 3, 4, 5, 6, 8, 10, 12, 15, 20, 25, 30, 40, 50, 60, 80, 100, 125, 150, 200, 250, 300, 400, 500, 600, 800, 1000. MATERIAL: - FINISH: - SCALE: 10:1 SHEET 1 of 1 REV B6

STANDARD POWER TIMER CONTACT Standard Power Timer Kontakt

TE Connectivity

X-ON Electronics

Largest Supplier of Electrical and Electronic Components

Click to view similar products for [Automotive Connectors](#) category:

Click to view products by [TE Connectivity](#) manufacturer:

Other Similar products are found below :

[003-018-000](#) [600858](#) [60403001](#) [60993906-B](#) [60993913-B](#) [629515004020001](#) [M902-2131](#) [M902-2161](#) [M902-2344](#) [72.330.1035.1](#)
[73.353.4028.0](#) [F118010](#) [F119300-B](#) [F132210](#) [F132210-B](#) [F166900](#) [F180100](#) [F258300](#) [F258300-B](#) [F294300-B](#) [F339100](#) [F339700](#) [F358300-](#)
[B](#) [F374110](#) [F407400](#) [F412210](#) [F427600](#) [F444110](#) [F487000](#) [F495100-B](#) [F500900-B](#) [F509500B-B](#) [770444-1](#) [776880-1](#) [827153-1](#) [881735-1](#)
[8N1515-32-24P](#) [9-1326727-8](#) [9-1326729-8](#) [925467-1](#) [925474-1](#) [928905-1](#) [936398-2](#) [964562-1](#) [964562-4](#) [964731-2](#) [965051-1](#) [968782-1](#)
[GT17SA-8DS-HU](#) [GT17VS-10DP-5.2CF](#)